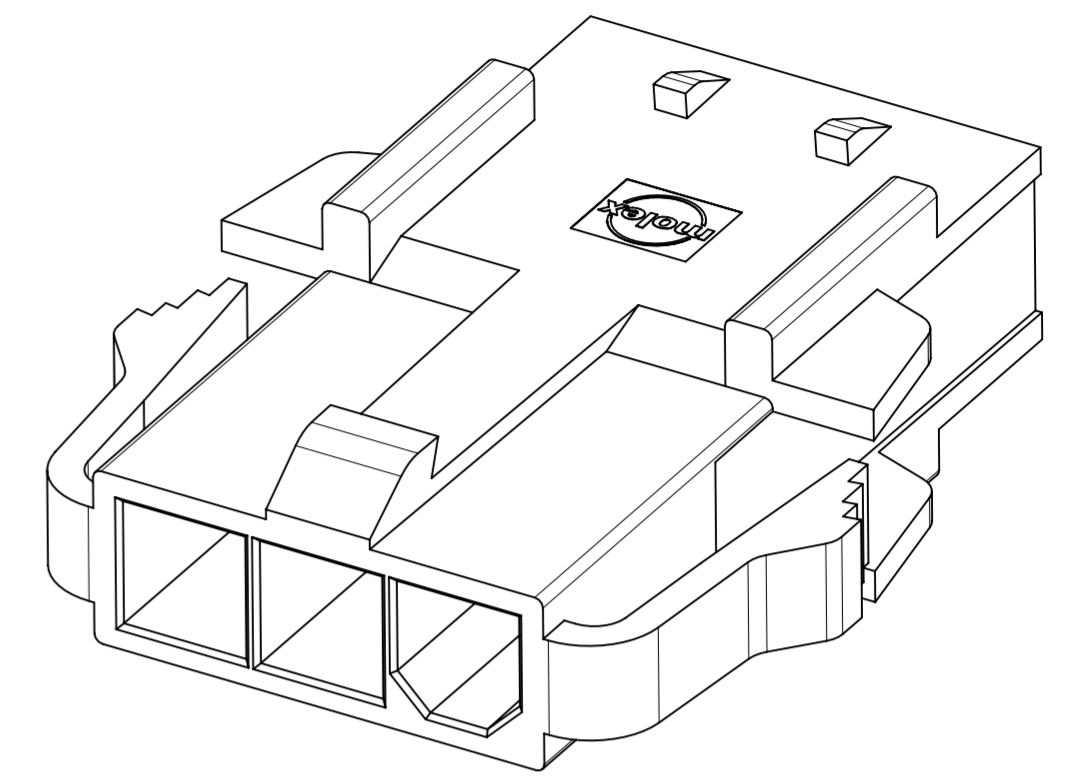
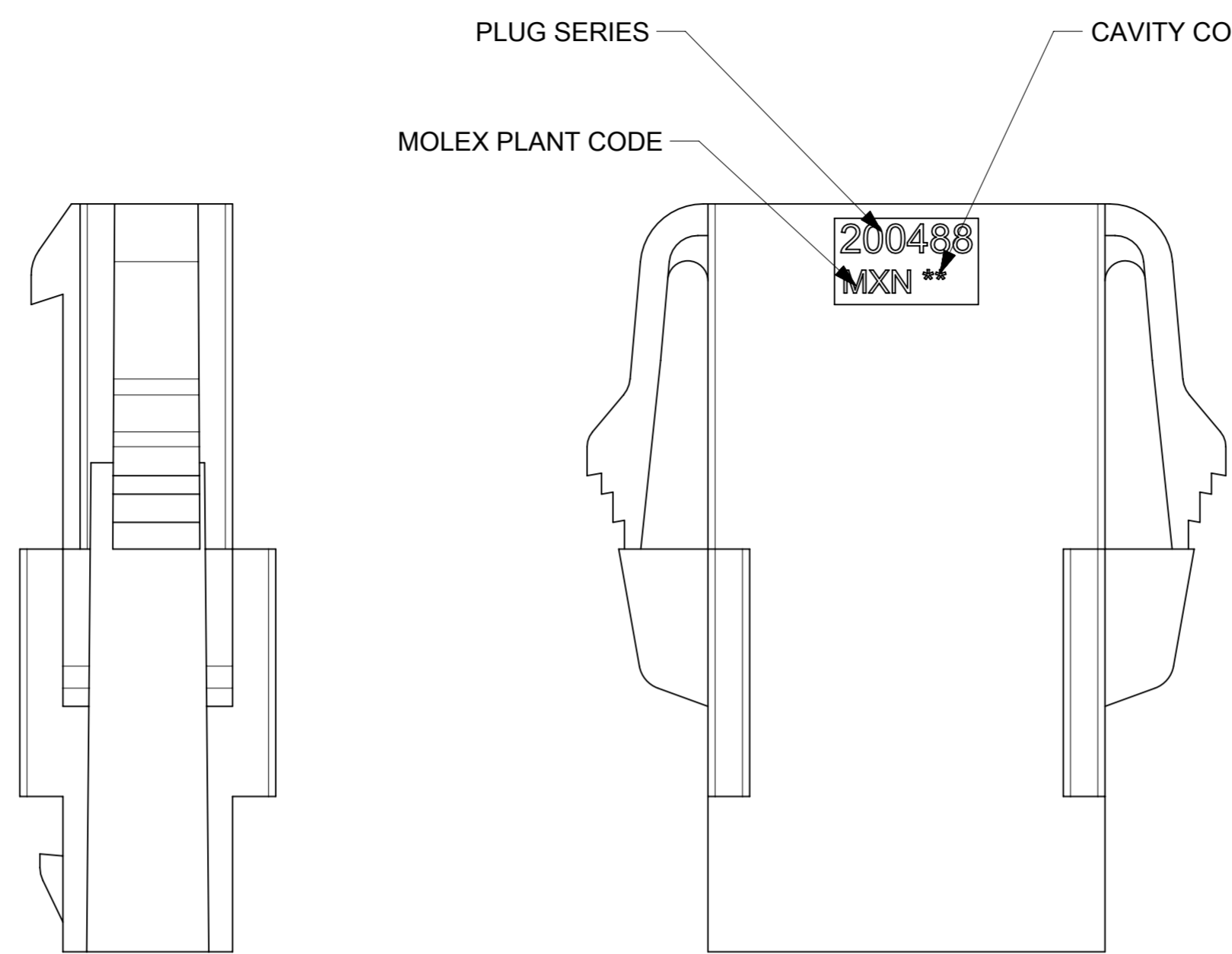
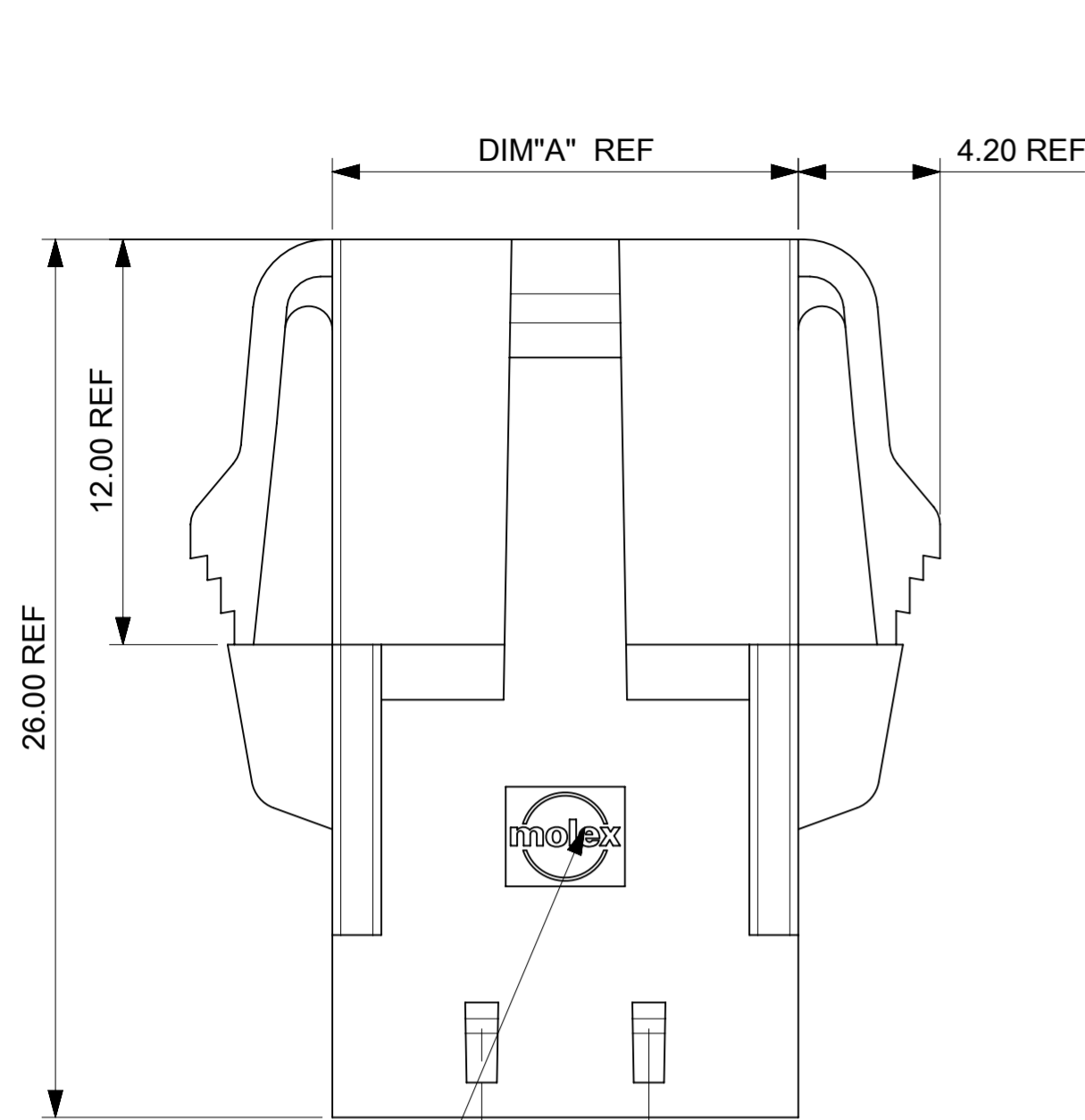
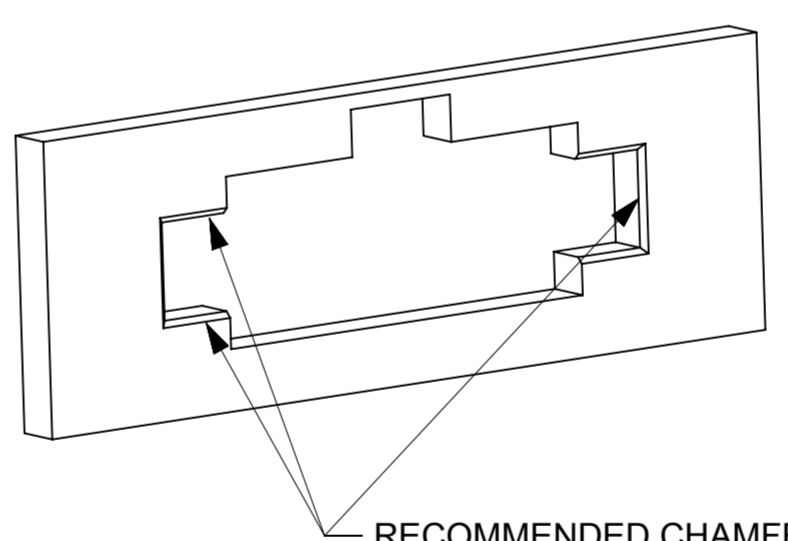
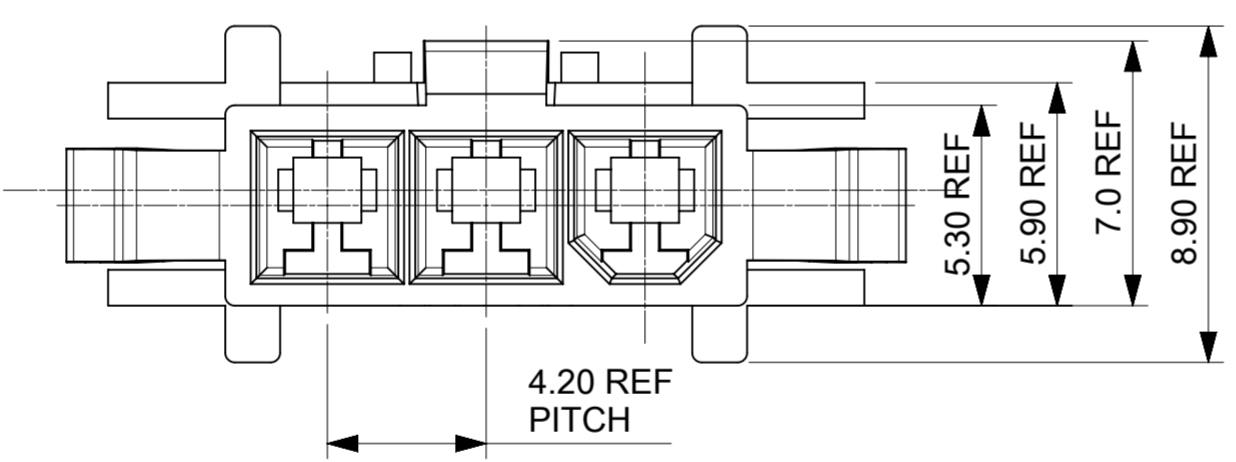
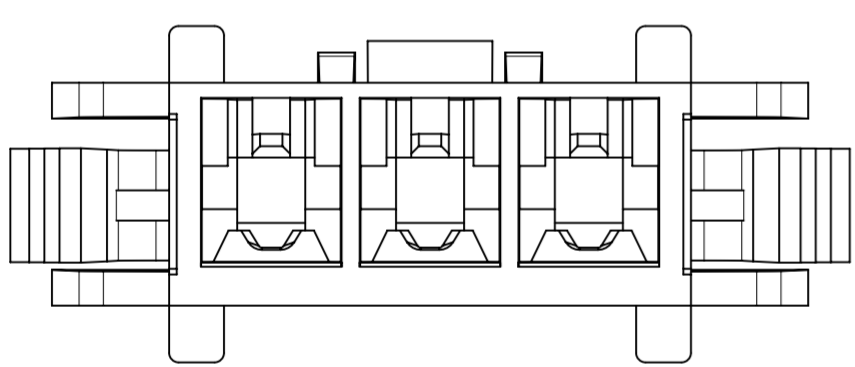


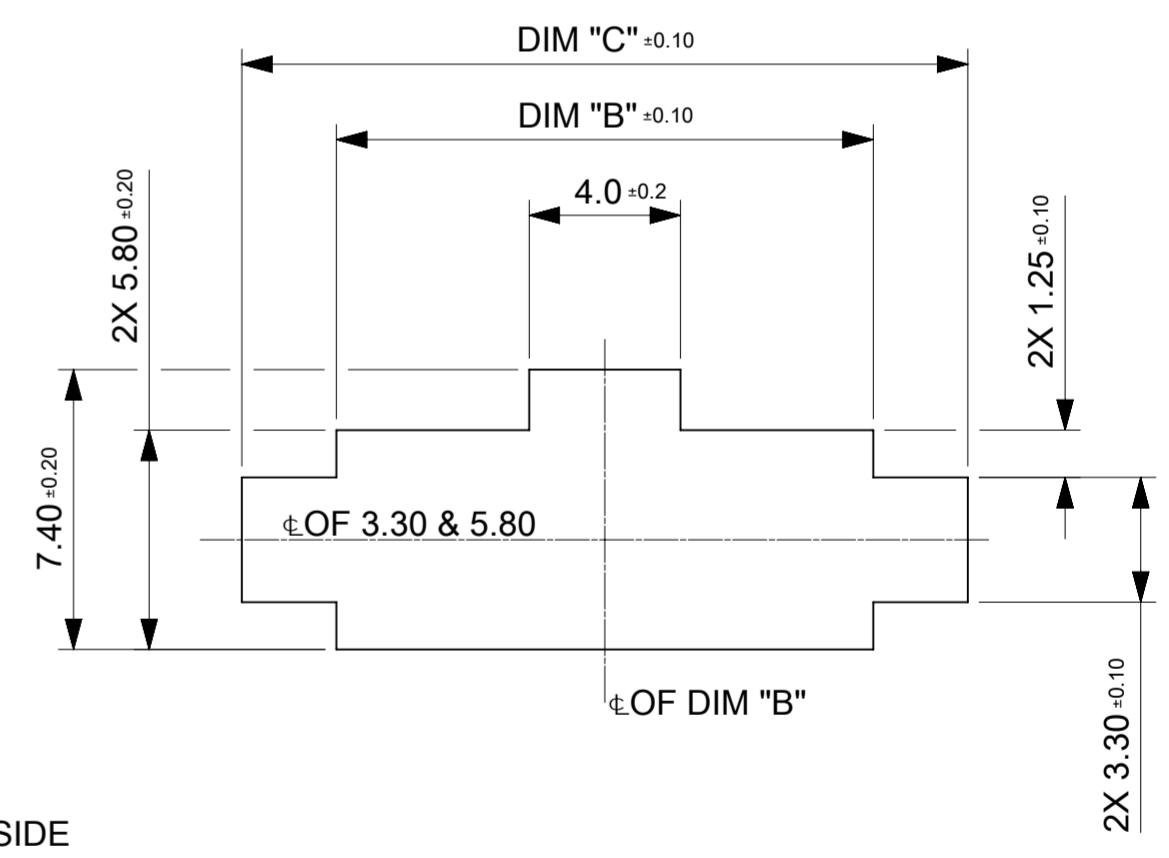
PLUG P/N	CKT	DIM "A"	DIM "B"	DIM "C"	DIM "D"
2004882002	2	9.60	10.00	15.00	4.95
2004882003	3	13.80	14.20	19.20	4.95
2004882004	4	18.00	18.40	23.40	4.95
2004882005	5	22.20	22.60	27.60	12.95
2004882006	6	26.40	26.80	31.80	12.95



MOLEX LOGO DIM "D" REF



RECOMMENDED CHAMFER
C0.20~0.30 AT INSERTION SIDE

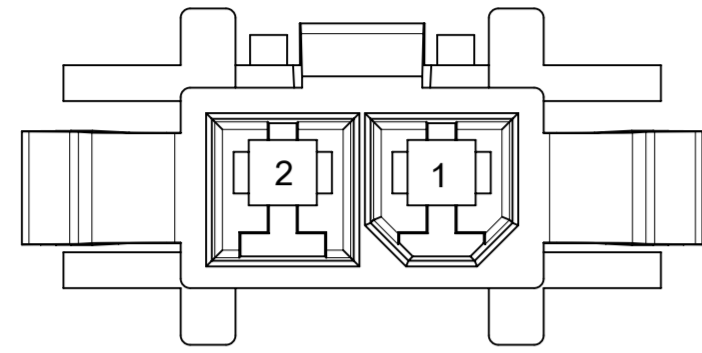


RECOMMENDED PANEL CUT-OUT DIMENSIONS
PANEL THICKNESS 0.80-2.00MM

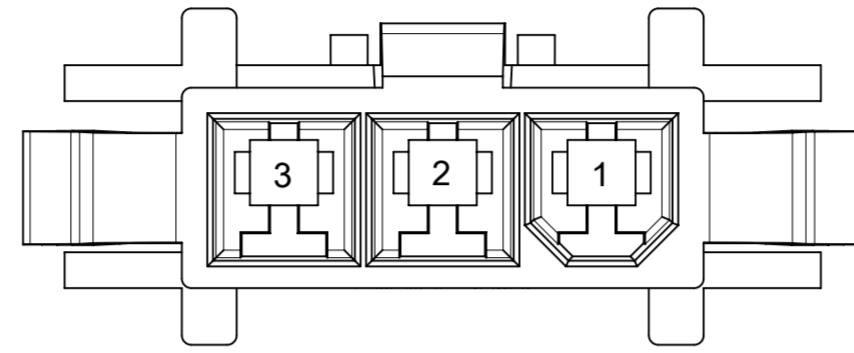
- NOTES:
- MATERIAL:
NYLON, UL 94V-0 AND GLOW WIRE CAPABLE PER IEC60335-1; COLOR: BLACK
 - FINISH: NONE
 - PRODUCT SPECIFICATION: 2131370000-PS/2029880002-PS
APPLICATION SPECIFICATION: 2131370000-AS
 - PACKAGING SPECIFICATION: 200488-0001-PK
REFER TO AS-45499-001 FOR MOISTURIZING NYLON CONNECTOR PARTS.
 - THIS PART TO BE USED WITH FEMALE TERMINAL SERIES 172765, 203070 AND TPA SERIES 172709-2***.
 - THIS PART MATES WITH RECEPTACLE SERIES 200453-1***
 - THIS PART CONFORMS TO CLASS 'B' REQUIREMENTS OF COSMETIC SPECIFICATION PS-45499-002.
 - SEE DRAWING 1727090002-SD FOR OTHER TPA INFORMATION.
 - SEE DRAWING 2004531000(SD) FOR OTHER RECEPTACLE INFORMATION.
 - SEE DRAWINGS SD-172718-0000 AND 2029880001-PSD FOR OTHER CRIMP TERMINAL INFORMATION.

THIS DRAWING CONTAINS INFORMATION THAT IS PROPRIETARY TO MOLEX ELECTRONIC TECHNOLOGIES, LLC AND SHOULD NOT BE USED WITHOUT WRITTEN PERMISSION									
DIMENSION UNITS	SCALE	CURRENT REV DESC:							
mm	NTS	<div style="text-align: center;">molex</div> SD-DRAWING OF MINI-FIT SIGMA SR PLUG PRODUCT CUSTOMER DRAWING							
GENERAL TOLERANCES (UNLESS SPECIFIED)									
ANGULAR TOL	± °	EC NO: 787525							
4 PLACES	±	DRWN: JERRYW8	2024/05/28						
3 PLACES	±	CHK'D: XQZHANG	2024/05/30						
2 PLACES	± 0.25	APPR: XQZHANG	2024/05/30						
1 PLACE	± 0.36	INITIAL REVISION:							
0 PLACES	±	DRWN: ALU002	2019/09/24						
		APPR: YXZHENG	2019/10/11						
DRAFT WHERE APPLICABLE MUST REMAIN WITHIN DIMENSIONS	THIRD ANGLE PROJECTION	DRAWING	SERIES	MATERIAL NUMBER	CUSTOMER	DOCUMENT NUMBER		DOC TYPE	DOC PART
		A2-SIZE	200488	SEE TABLE	GENERAL MARKET	2004880001-SD		PSD	000
									B3
						SHEET NUMBER			1 OF 2

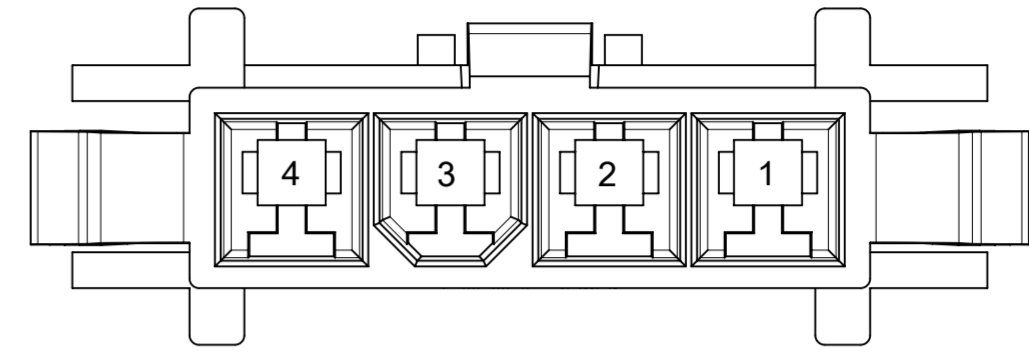
DOCUMENT STATUS	P1	RELEASE DATE	2024/05/30	09:41:54
-----------------	----	--------------	------------	----------



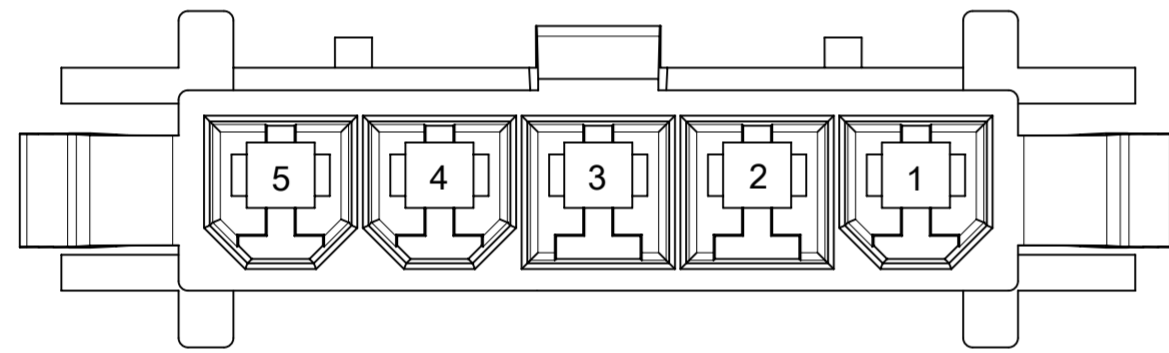
2-CKT



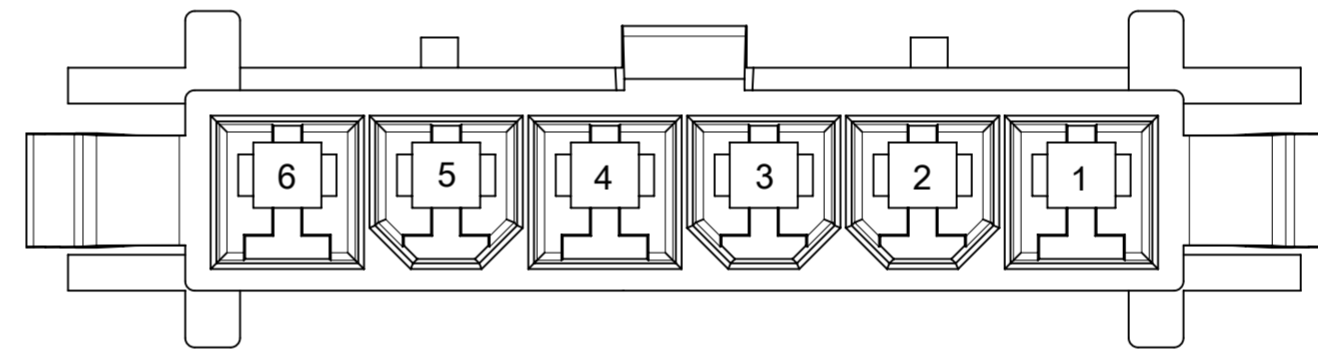
3-CKT




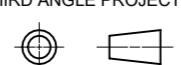
4-CKT



5-CKT



6-CKT

FUNCTIONAL SYMBOLS	THIS DRAWING CONTAINS INFORMATION THAT IS PROPRIETARY TO MOLEX ELECTRONIC TECHNOLOGIES, LLC AND SHOULD NOT BE USED WITHOUT WRITTEN PERMISSION										
	DIMENSION UNITS	SCALE	CURRENT REV DESC:								 SD-DRAWING OF MINI-FIT SIGMA SR PLUG
$\frac{F}{A} = 0$	mm	NTS	EC NO: 787525								
$\frac{F}{C} = 0$	GENERAL TOLERANCES (UNLESS SPECIFIED)		DRWN: JERRYW8 2024/05/28								
$\frac{F}{P} = 0$	ANGULAR TOL ± °		CHK'D: XQZHANG 2024/05/30								
DIVISIONAL SYMBOLS	4 PLACES ±		APPR: XQZHANG 2024/05/30								
	3 PLACES ±		INITIAL REVISION:								
	2 PLACES ± 0.25		DRWN: ALU002 2019/09/24								
	1 PLACE ± 0.36		APPR: YXZHENG 2019/10/11								
0 PLACES ±		DRAFT WHERE APPLICABLE MUST REMAIN WITHIN DIMENSIONS		THIRD ANGLE PROJECTION		DRAWING	SERIES	MATERIAL NUMBER	CUSTOMER	SHEET NUMBER	
						A2-SIZE	200488	SEE TABLE	GENERAL MARKET	2 OF 2	