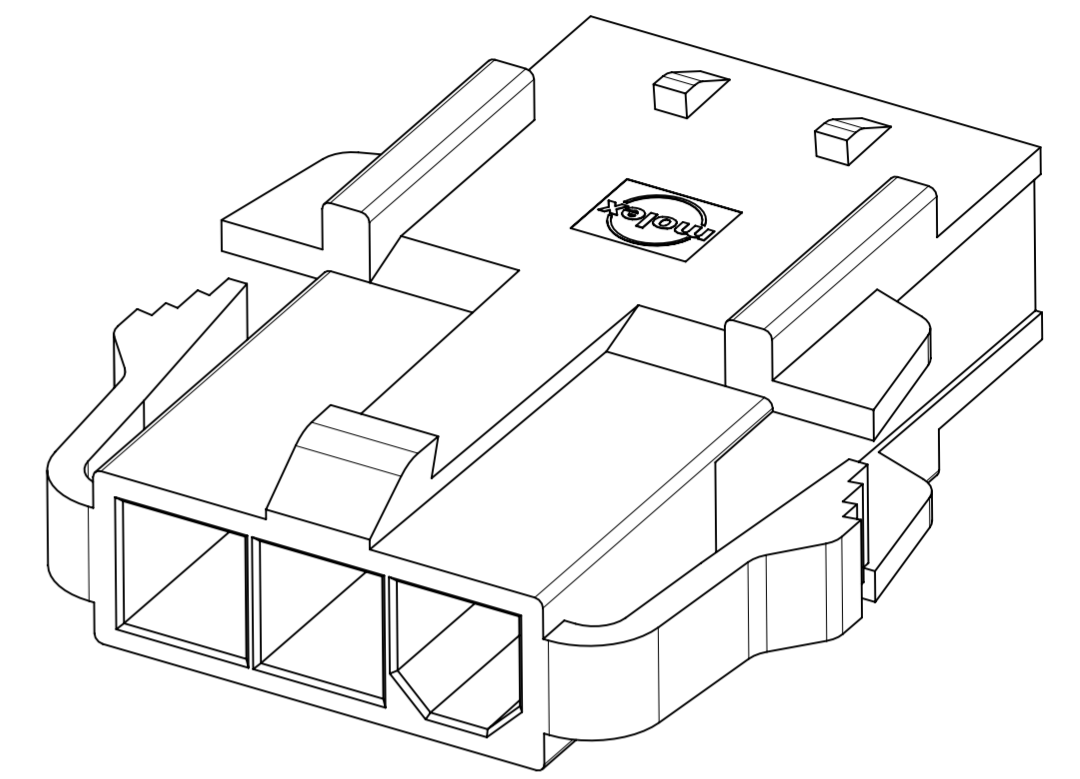
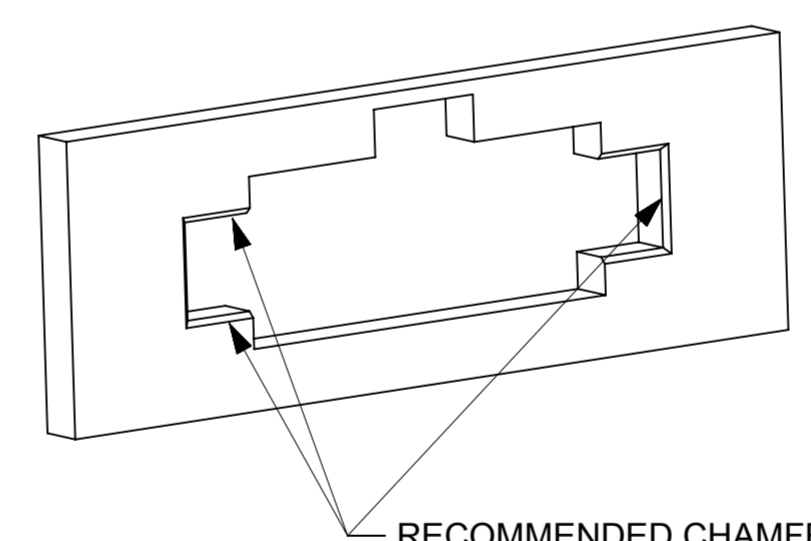
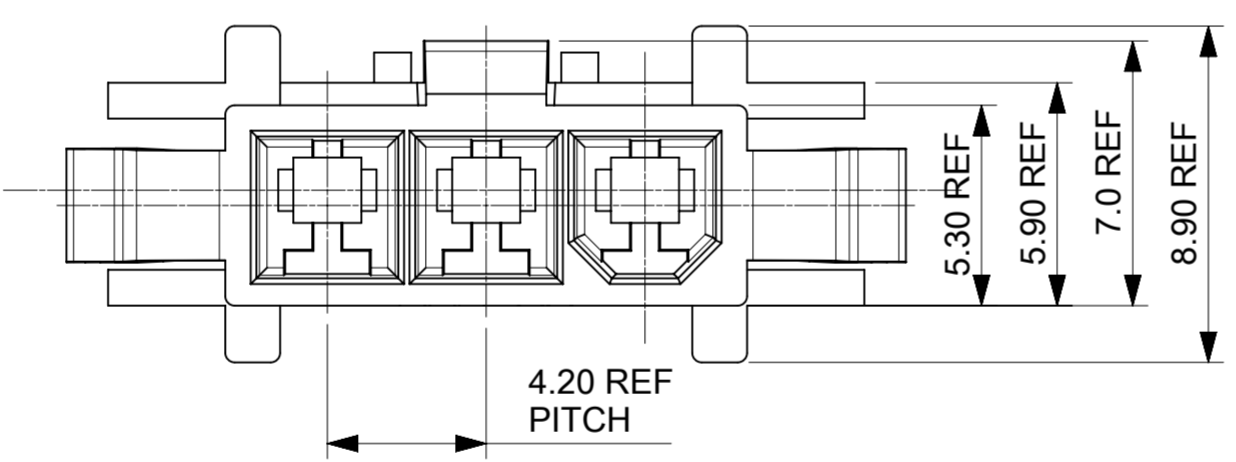
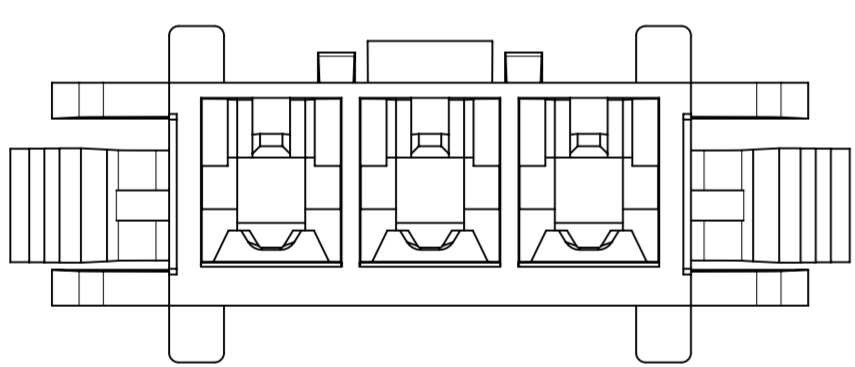


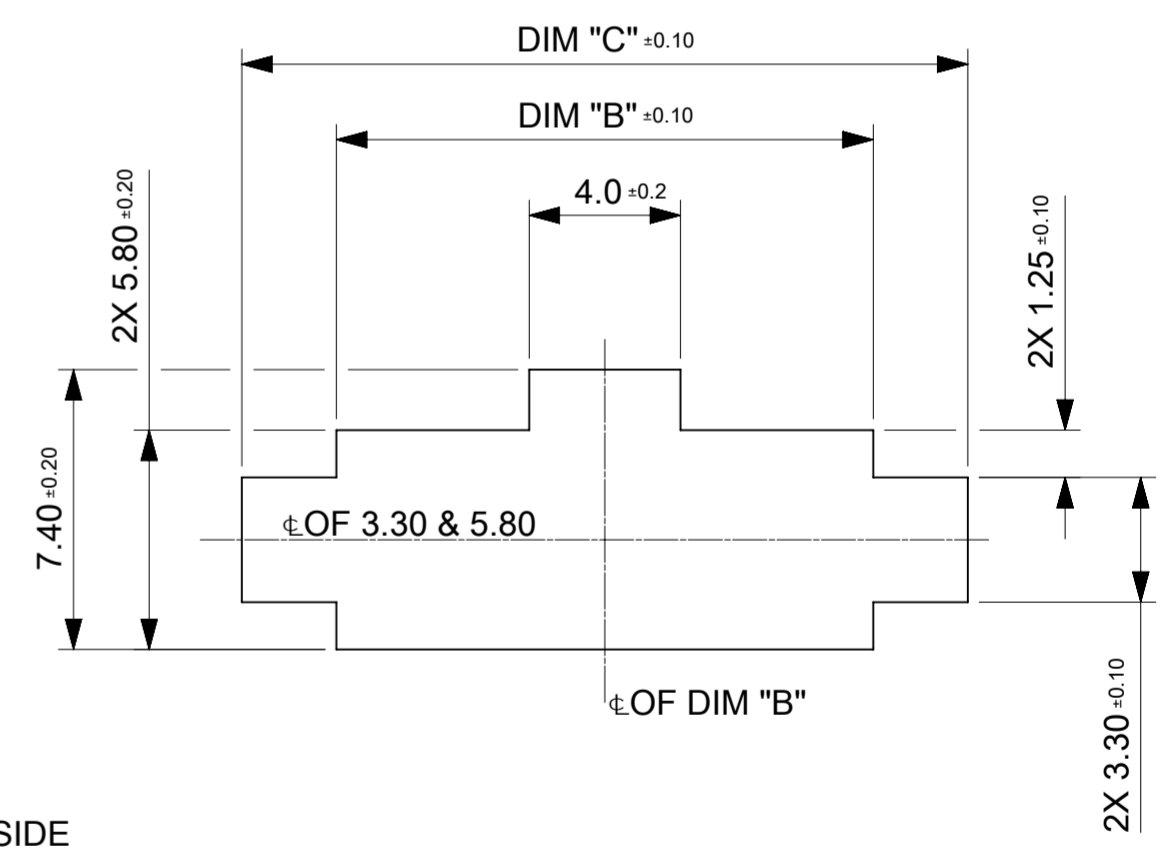
PLUG P/N	CKT	DIM "A"	DIM "B"	DIM "C"	DIM "D"
2004882002	2	9.60	10.00	15.00	4.95
2004882003	3	13.80	14.20	19.20	4.95
2004882004	4	18.00	18.40	23.40	4.95
2004882005	5	22.20	22.60	27.60	12.95
2004882006	6	26.40	26.80	31.80	12.95



MOLEX LOGO DIM "D" REF



RECOMMENDED CHAMFER
C0.20~0.30 AT INSERTION SIDE

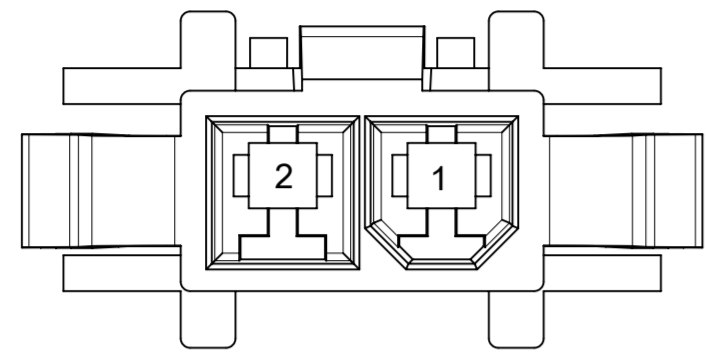


RECOMMENDED PANEL CUT-OUT DIMENSIONS
PANEL THICKNESS 0.80-2.00MM

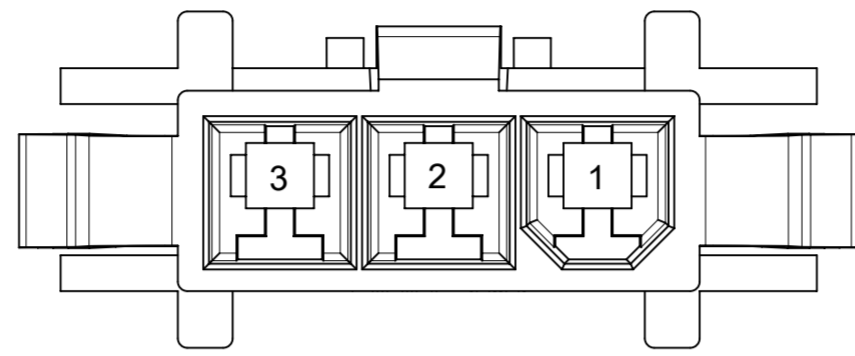
- NOTES:
- MATERIAL:
NYLON, UL 94V-0 AND GLOW WIRE CAPABLE PER IEC60335-1; COLOR: BLACK
 - FINISH: NONE
 - PRODUCT SPECIFICATION: 2131370000-PS/2029880002-PS
APPLICATION SPECIFICATION: 2131370000-AS
 - PACKAGING SPECIFICATION: 200488-0001-PK
REFER TO AS-45499-001 FOR MOISTURIZING NYLON CONNECTOR PARTS.
 - THIS PART TO BE USED WITH FEMALE TERMINAL SERIES 172765, 203070 AND TPA SERIES 172709-2***.
 - THIS PART MATES WITH RECEPTACLE SERIES 200453-1***
 - THIS PART CONFORMS TO CLASS 'B' REQUIREMENTS OF COSMETIC SPECIFICATION PS-45499-002.
 - SEE DRAWING 1727090002-SD FOR OTHER TPA INFORMATION.
 - SEE DRAWING 2004531000(SD) FOR OTHER RECEPTACLE INFORMATION.
 - SEE DRAWINGS SD-172718-0000 AND 2029880001-PSD FOR OTHER CRIMP TERMINAL INFORMATION.

THIS DRAWING CONTAINS INFORMATION THAT IS PROPRIETARY TO MOLEX ELECTRONIC TECHNOLOGIES, LLC AND SHOULD NOT BE USED WITHOUT WRITTEN PERMISSION									
DIMENSION UNITS mm		SCALE NTS		CURRENT REV DESC:					
GENERAL TOLERANCES (UNLESS SPECIFIED)		ANGULAR TOL ± °		EC NO: 787525		molex			
4 PLACES ±		4 PLACES ±		DRWN: JERRYW8 2024/05/28					
3 PLACES ±		3 PLACES ±		CHK'D: XQZHANG 2024/05/30		SD-DRAWING OF MINI-FIT SIGMA SR PLUG			
2 PLACES ± 0.25		2 PLACES ± 0.25		APPR: XQZHANG 2024/05/30					
1 PLACE ± 0.36		1 PLACE ± 0.36		INITIAL REVISION:		PRODUCT CUSTOMER DRAWING			
0 PLACES ±		0 PLACES ±		DRWN: ALU002 2019/09/24					
DRAFT WHERE APPLICABLE MUST REMAIN WITHIN DIMENSIONS		THIRD ANGLE PROJECTION		DRAWING		SERIES		DOCUMENT NUMBER	
				A2-SIZE		200488		2004880001-SD	
				SEE TABLE		GENERAL MARKET		DOC TYPE DOC PART REVISION	
								PSD 000 B3	
								SHEET NUMBER	
								1 OF 2	

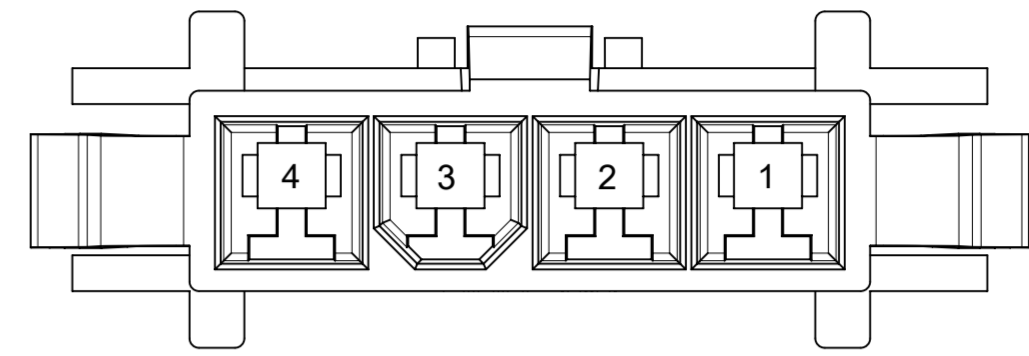
DOCUMENT STATUS	P1	RELEASE DATE	2024/05/30	09:41:54
-----------------	----	--------------	------------	----------



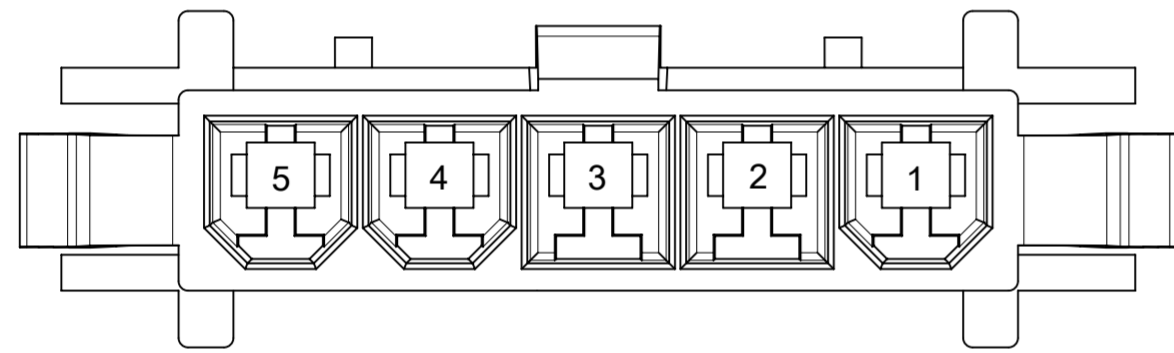
2-CKT



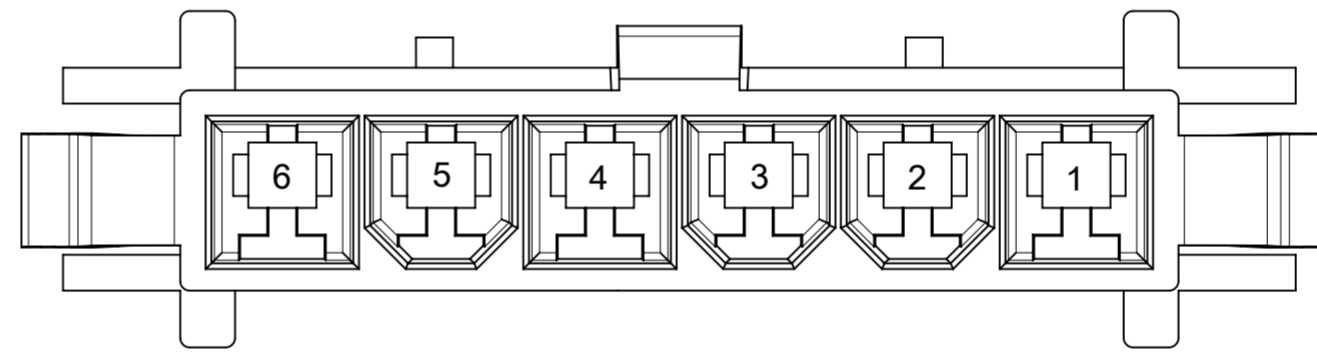
3-CKT



4-CKT



5-CKT



6-CKT

FUNCTIONAL SYMBOLS	THIS DRAWING CONTAINS INFORMATION THAT IS PROPRIETARY TO MOLEX ELECTRONIC TECHNOLOGIES, LLC AND SHOULD NOT BE USED WITHOUT WRITTEN PERMISSION									
	DIMENSION UNITS	SCALE	CURRENT REV DESC:							
$\frac{F}{A} = 0$	mm	NTS	EC NO: 787525							
$\frac{F}{C} = 0$	GENERAL TOLERANCES (UNLESS SPECIFIED)		DRWN: JERRYW8 2024/05/28							
$\frac{F}{P} = 0$	ANGULAR TOL ± °		CHK'D: XQZHANG 2024/05/30							
DIVISIONAL SYMBOLS	4 PLACES ±	APPR: XQZHANG 2024/05/30								
	3 PLACES ±	INITIAL REVISION:								
	2 PLACES ± 0.25	DRWN: ALU002 2019/09/24								
	1 PLACE ± 0.36	APPR: YXZHENG 2019/10/11								
0 PLACES ±	DRAFT WHERE APPLICABLE MUST REMAIN WITHIN DIMENSIONS		THIRD ANGLE PROJECTION	DRAWING	SERIES	MATERIAL NUMBER	CUSTOMER	DOC TYPE	DOC PART	REVISION
				A2-SIZE	200488	SEE TABLE	GENERAL MARKET	PSD	000	B3

molex

SD-DRAWING OF MINI-FIT SIGMA SR PLUG

PRODUCT CUSTOMER DRAWING

DOCUMENT NUMBER: 2004880001-SD
 DOC TYPE: PSD
 DOC PART: 000
 REVISION: B3