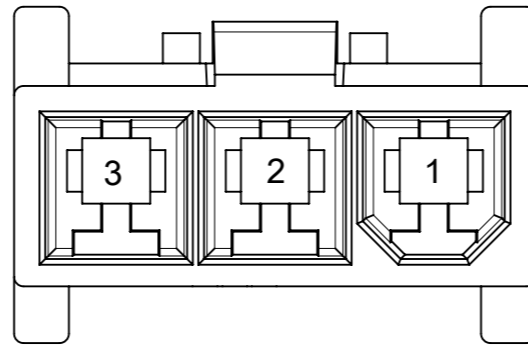
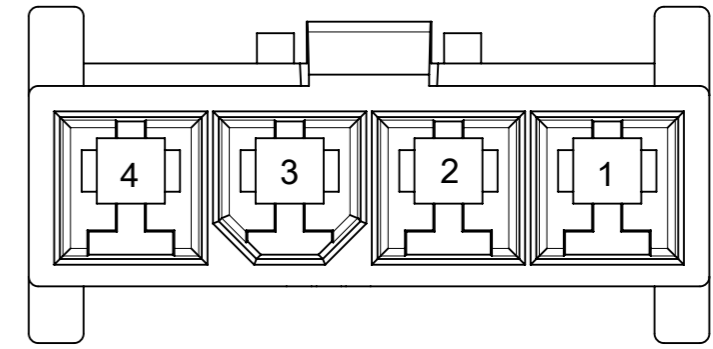


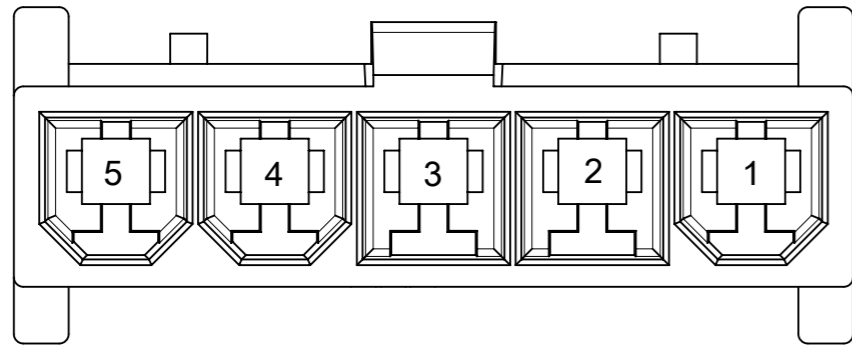
2-CKT



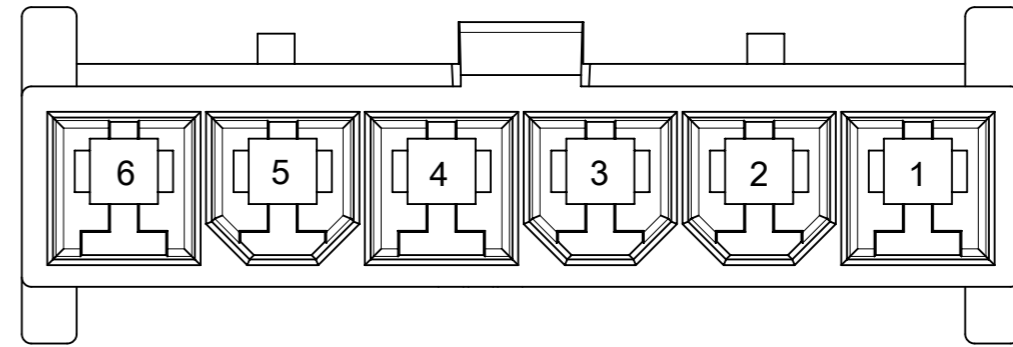
3-CKT



4-CKT



5-CKT



6-CKT

THIS DRAWING CONTAINS INFORMATION THAT IS PROPRIETARY TO MOLEX ELECTRONIC TECHNOLOGIES, LLC AND SHOULD NOT BE USED WITHOUT WRITTEN PERMISSION									
DIMENSION UNITS		SCALE		CURRENT REV DESC:					
mm		NTS							
GENERAL TOLERANCES (UNLESS SPECIFIED)				EC NO: 765372				SD-DRAWING OF MINI-FIT SIGMA SR PLUG	
ANGULAR TOL ± °				DRWN: JERRYW8 2023/07/19					
4 PLACES ±				CHK'D: XQZHANG 2023/10/10				PRODUCT CUSTOMER DRAWING	
3 PLACES ±				APPR: XQZHANG 2023/10/10					
2 PLACES ± 0.25				INITIAL REVISION:				DOCUMENT NUMBER	
1 PLACE ± 0.36				DRWN: ALU002 2019/09/24				2004710001-SD	
0 PLACES ±				APPR: YXZHENG 2019/10/11				DOC TYPE DOC PART REVISION	
DRAFT WHERE APPLICABLE MUST REMAIN WITHIN DIMENSIONS				THIRD ANGLE PROJECTION		DRAWING		SHEET NUMBER	
						A3-SIZE		2 OF 2	
				SERIES		MATERIAL NUMBER		CUSTOMER	
				200471		SEE TABLE		GENERAL MARKET	