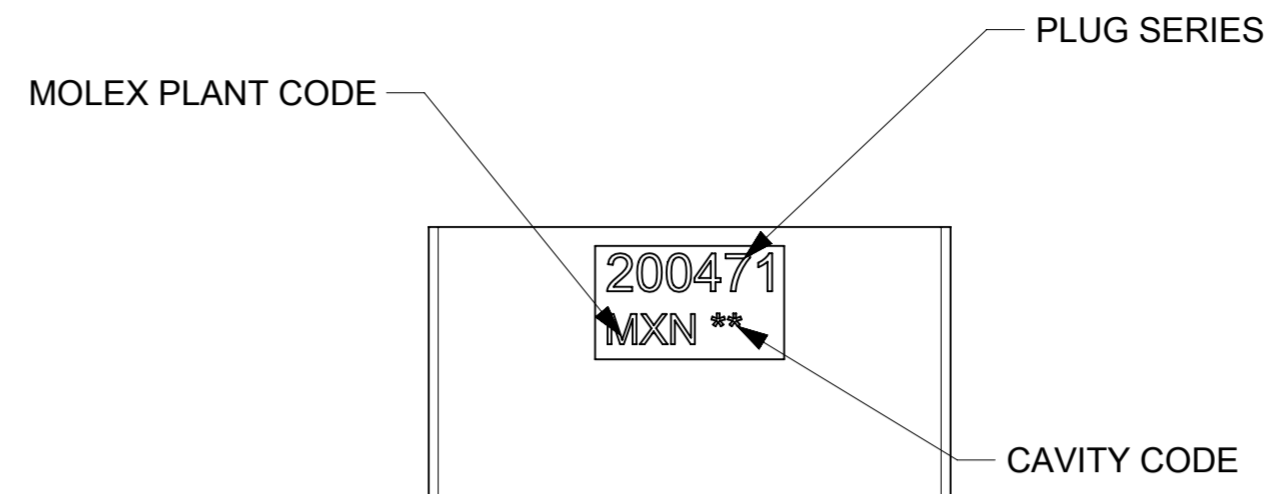
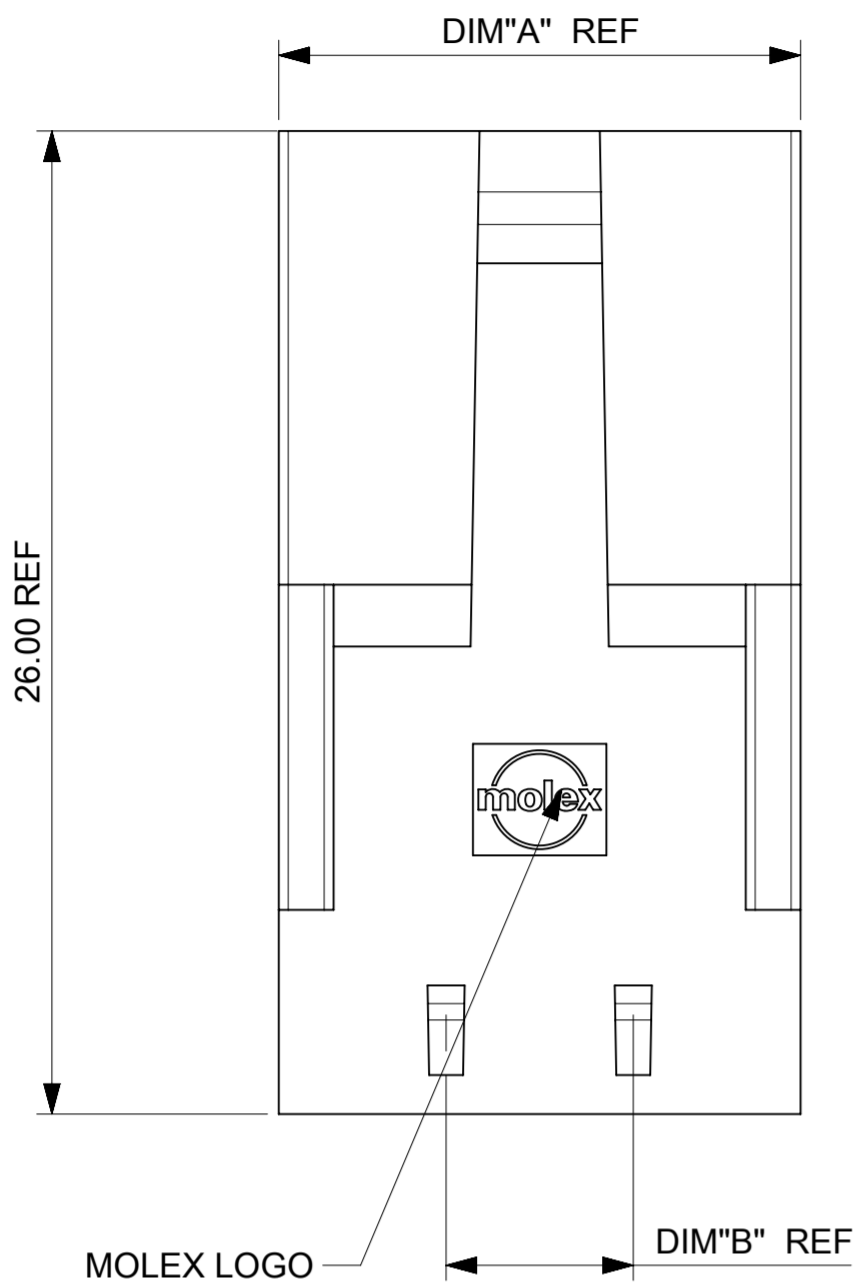
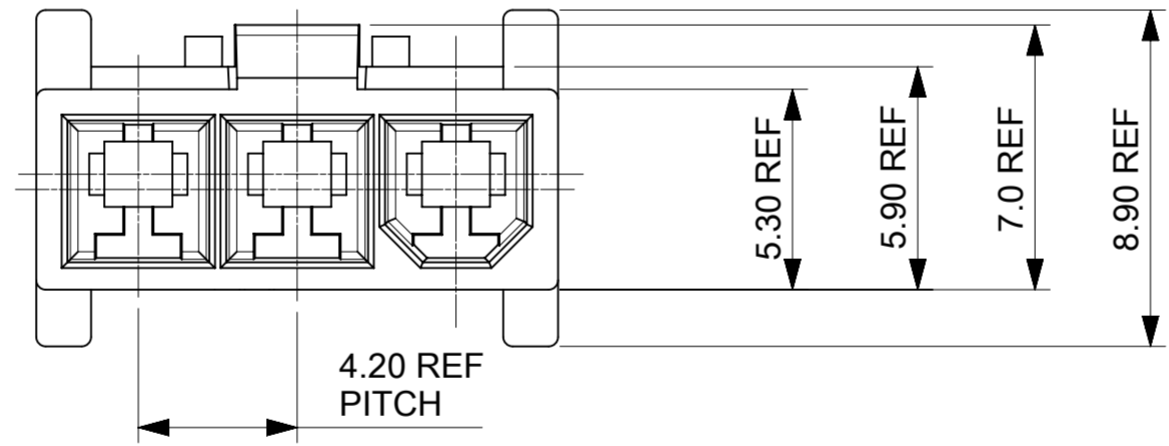
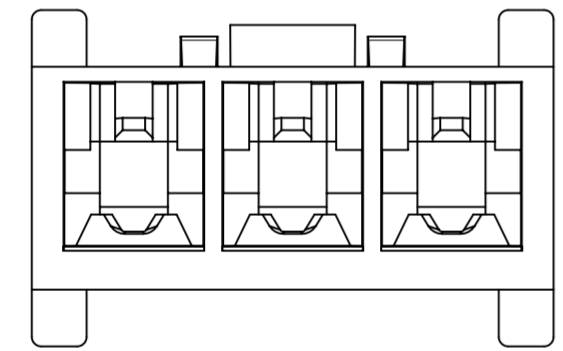
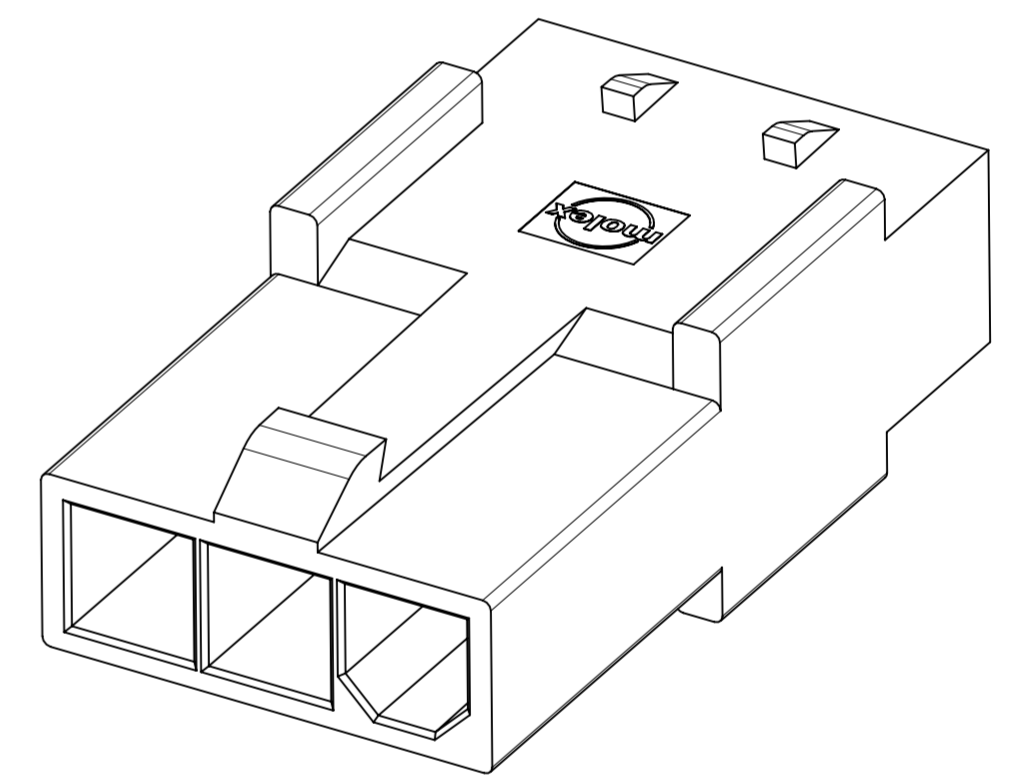


| PLUG P/N | CKT | DIM "A" | DIM "B" |
|------------|-----|---------|---------|
| 2004711002 | 2 | 9.60 | 4.95 |
| 2004711003 | 3 | 13.80 | 4.95 |
| 2004711004 | 4 | 18.00 | 4.95 |
| 2004711005 | 5 | 22.20 | 12.95 |
| 2004711006 | 6 | 26.40 | 12.95 |



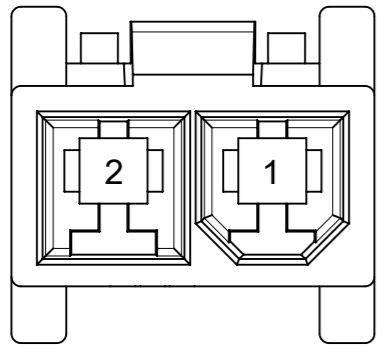
CAVITY CODE



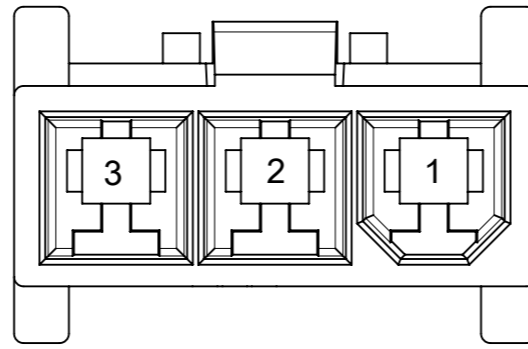
- NOTES:
- MATERIAL:
NYLON, UL 94V-0 AND GLOW WIRE CAPABLE PER IEC60335-1; COLOR: BLACK
 - FINISH: NONE
 - PRODUCT SPECIFICATION: 2131370000-PS/2029880002-PS
APPLICATION SPECIFICATION: 2131370000-AS
 - PACKAGING SPECIFICATION: 200471-0001-PK
REFER TO AS-45499-001 FOR MOISTURIZING NYLON CONNECTOR PARTS.
 - THIS PART TO BE USED WITH FEMALE TERMINAL SERIES 172765, 203070 AND TPA SERIES 172709-2***.
 - THIS PART MATES WITH RECEPTACLE SERIES 200453-1***
 - THIS PART CONFORMS TO CLASS 'B' REQUIREMENTS OF COSMETIC SPECIFICATION PS-45499-002.
 - SEE DRAWING 1727090002-SD FOR OTHER TPA INFORMATION.
 - SEE DRAWING 2004531000(SD) FOR OTHER RECEPTACLE INFORMATION.
 - SEE DRAWINGS SD-172718-0000 AND 2029880001-PSD FOR OTHER CRIMP TERMINAL INFORMATION.

| THIS DRAWING CONTAINS INFORMATION THAT IS PROPRIETARY TO MOLEX ELECTRONIC TECHNOLOGIES, LLC AND SHOULD NOT BE USED WITHOUT WRITTEN PERMISSION | | | | | | | | | | |
|---|-------|------------------------|--|-------------------|------------|--------------------------------------|----------------|--------------|----------|----------|
| DIMENSION UNITS | SCALE | CURRENT REV DESC: | | | | molex | | | | |
| mm | NTS | | | | | SD-DRAWING OF MINI-FIT SIGMA SR PLUG | | | | |
| GENERAL TOLERANCES (UNLESS SPECIFIED) | | EC NO: 765372 | | | | PRODUCT CUSTOMER DRAWING | | | | |
| ANGULAR TOL | ± ° | 4 PLACES ± | | DRWN: JERRYW8 | 2023/07/19 | DOCUMENT NUMBER | | | | |
| | | 3 PLACES ± | | CHK'D: XQZHANG | 2023/10/10 | 2004710001-SD | | DOC TYPE | DOC PART | REVISION |
| | | 2 PLACES ± 0.25 | | APPR: XQZHANG | 2023/10/10 | | | PSD | 000 | B3 |
| | | 1 PLACE ± 0.36 | | INITIAL REVISION: | | | | SHEET NUMBER | | |
| | | 0 PLACES ± | | DRWN: ALUO02 | 2019/09/24 | | | 1 OF 2 | | |
| DRAFT WHERE APPLICABLE MUST REMAIN WITHIN DIMENSIONS | | THIRD ANGLE PROJECTION | | DRAWING | SERIES | MATERIAL NUMBER | CUSTOMER | | | |
| | | | | A2-SIZE | 200471 | SEE TABLE | GENERAL MARKET | | | |

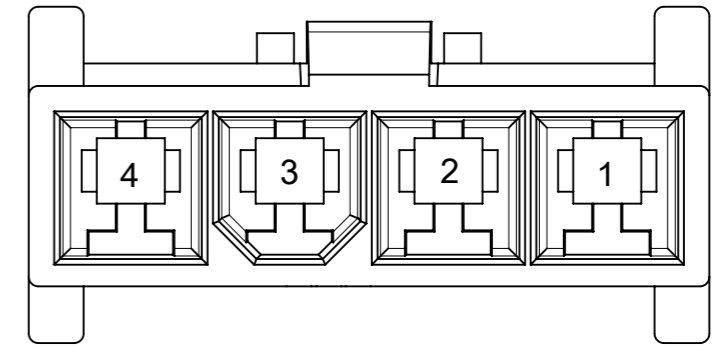
| DOCUMENT STATUS | P1 | RELEASE DATE | 2023/10/10 | 05:14:52 |
|-----------------|----|--------------|------------|----------|
| | | | | |



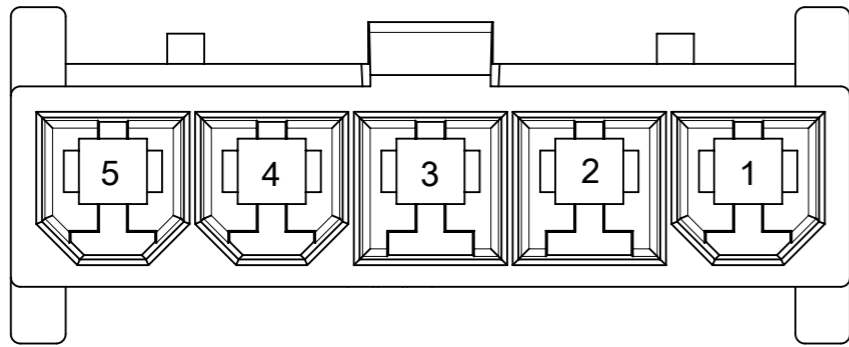
2-CKT



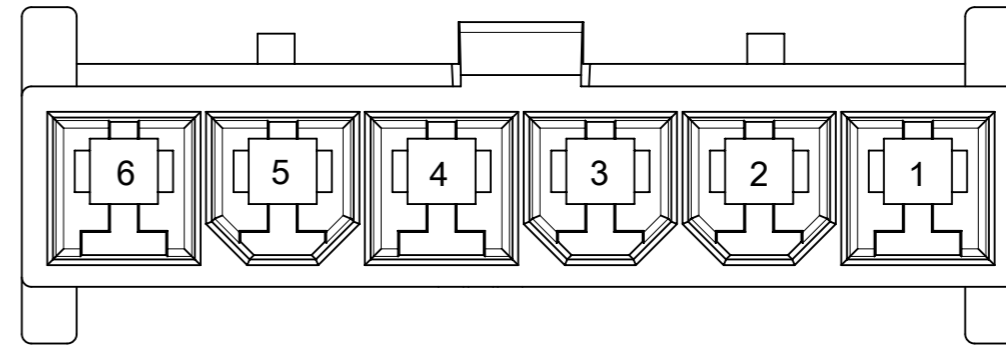
3-CKT



4-CKT



5-CKT



6-CKT

| | | | | | | | | | |
|---|--|-------|--|---------------------------|--|----------------|--|--------------------------------------|--|
| THIS DRAWING CONTAINS INFORMATION THAT IS PROPRIETARY TO MOLEX ELECTRONIC TECHNOLOGIES, LLC AND SHOULD NOT BE USED WITHOUT WRITTEN PERMISSION | | | | | | | | | |
| DIMENSION UNITS | | SCALE | | CURRENT REV DESC: | | | | | |
| mm | | NTS | | | | | | | |
| GENERAL TOLERANCES (UNLESS SPECIFIED) | | | | EC NO: 765372 | | | | SD-DRAWING OF MINI-FIT SIGMA SR PLUG | |
| ANGULAR TOL ± ° | | | | DRWN: JERRYW8 2023/07/19 | | | | | |
| 4 PLACES ± | | | | CHK'D: XQZHANG 2023/10/10 | | | | PRODUCT CUSTOMER DRAWING | |
| 3 PLACES ± | | | | APPR: XQZHANG 2023/10/10 | | | | | |
| 2 PLACES ± 0.25 | | | | INITIAL REVISION: | | | | DOCUMENT NUMBER | |
| 1 PLACE ± 0.36 | | | | DRWN: ALU002 2019/09/24 | | | | 2004710001-SD | |
| 0 PLACES ± | | | | APPR: YXZHENG 2019/10/11 | | | | DOC TYPE DOC PART REVISION | |
| DRAFT WHERE APPLICABLE MUST REMAIN WITHIN DIMENSIONS | | | | THIRD ANGLE PROJECTION | | DRAWING | | SERIES | |
| | | | | | | A3-SIZE | | 200471 | |
| | | | | MATERIAL NUMBER | | CUSTOMER | | SHEET NUMBER | |
| | | | | SEE TABLE | | GENERAL MARKET | | 2 OF 2 | |