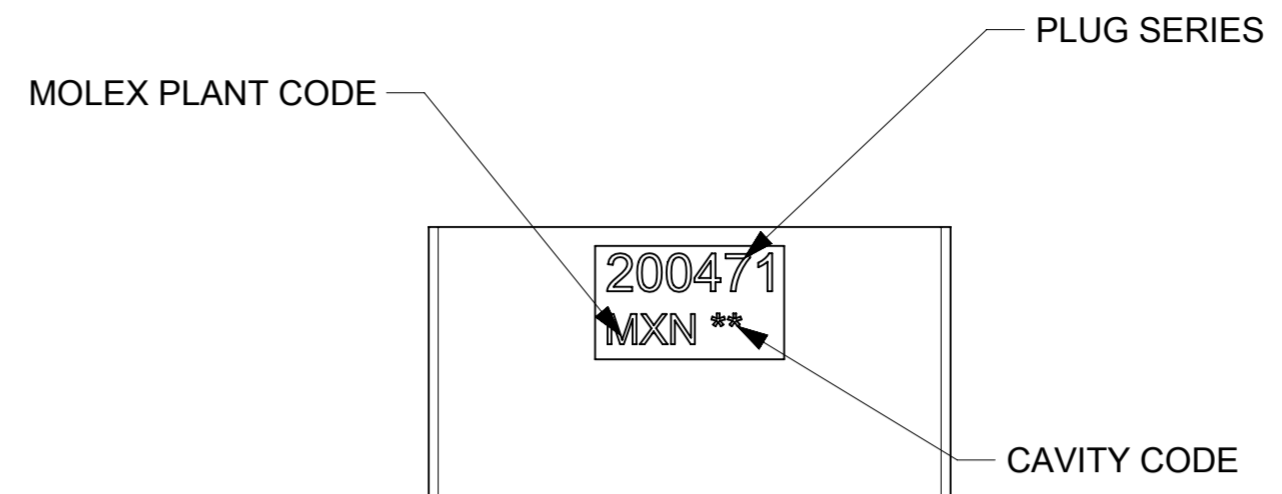
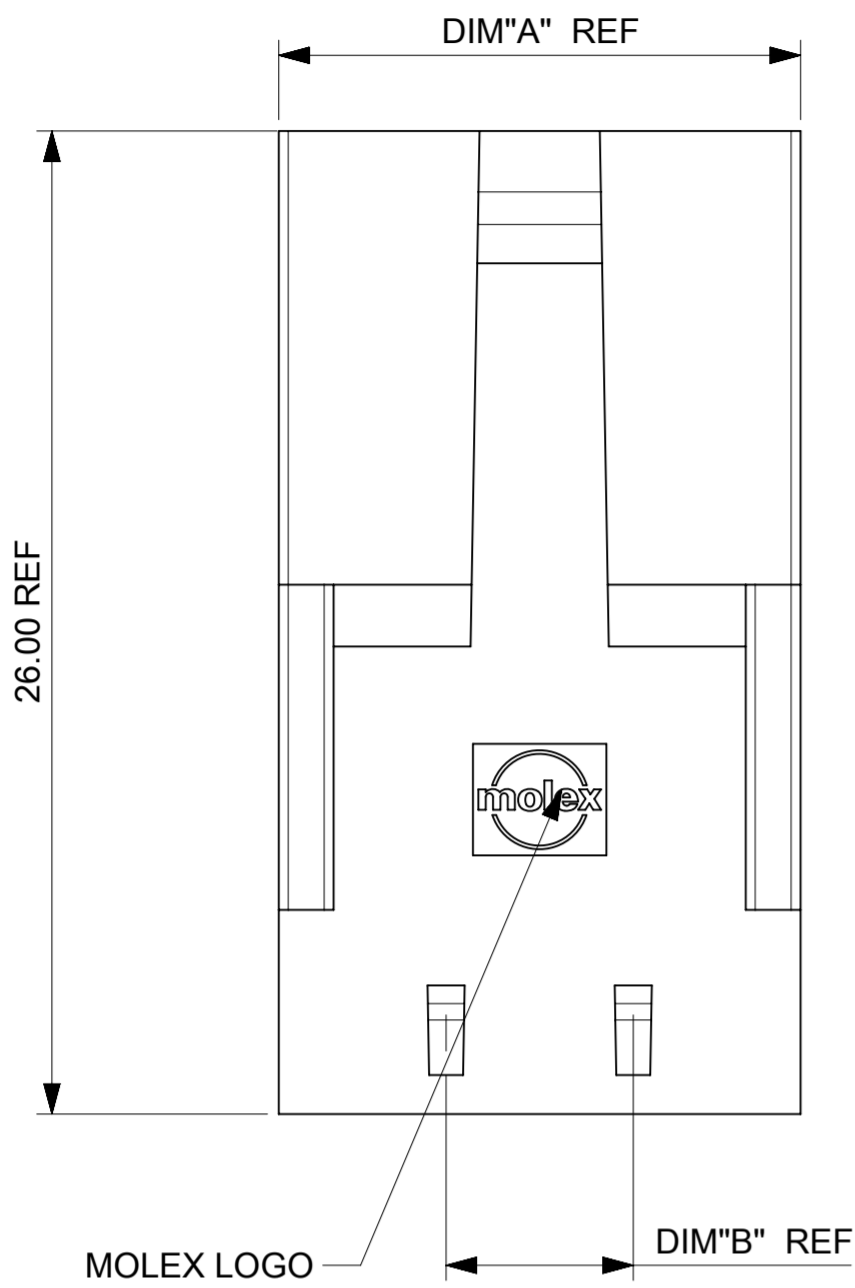
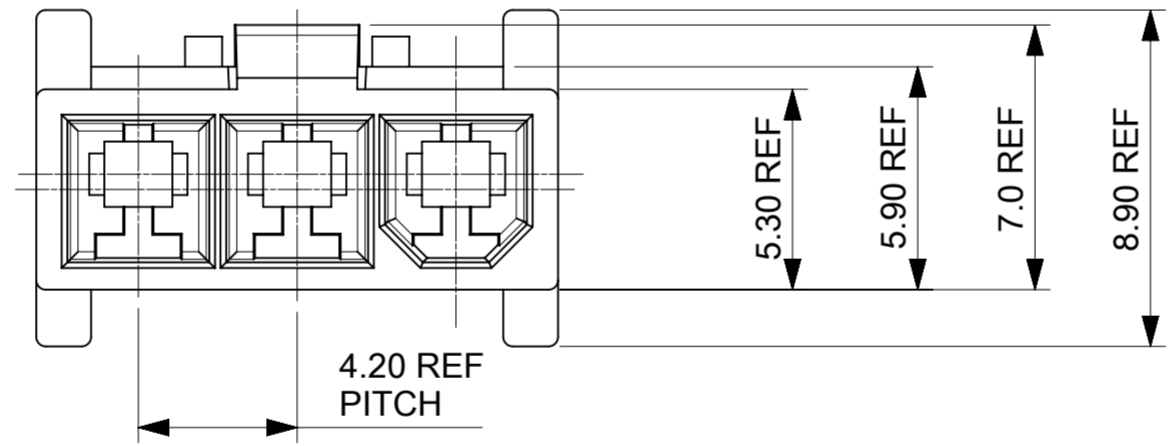
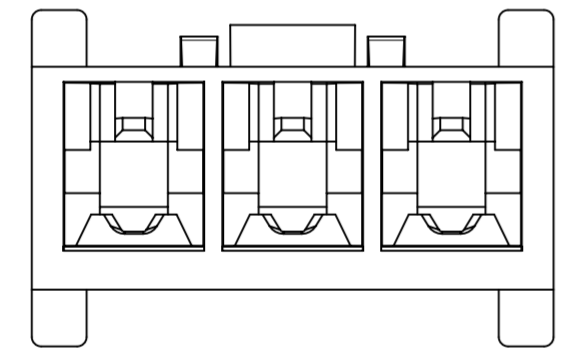
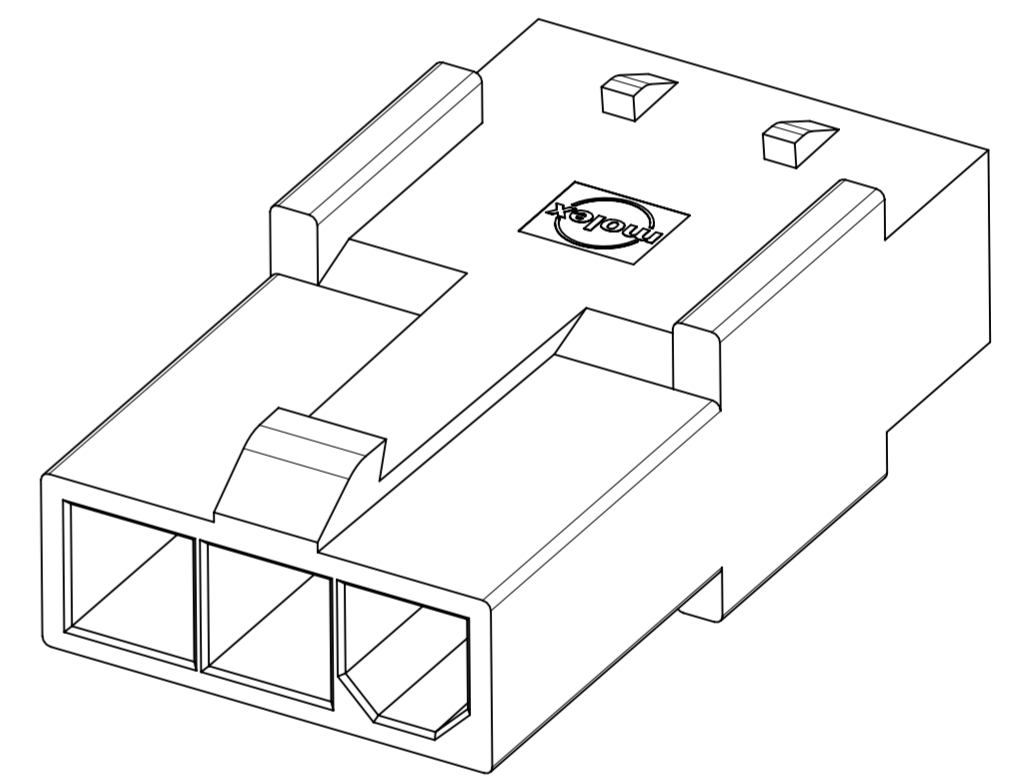


PLUG P/N	CKT	DIM "A"	DIM "B"
2004711002	2	9.60	4.95
2004711003	3	13.80	4.95
2004711004	4	18.00	4.95
2004711005	5	22.20	12.95
2004711006	6	26.40	12.95



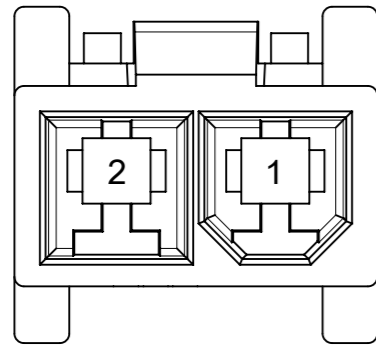
CAVITY CODE



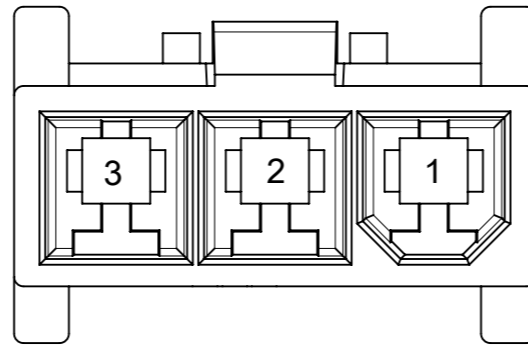
- NOTES:
- MATERIAL:
NYLON, UL 94V-0 AND GLOW WIRE CAPABLE PER IEC60335-1; COLOR: BLACK
 - FINISH: NONE
 - PRODUCT SPECIFICATION: 2131370000-PS/2029880002-PS
APPLICATION SPECIFICATION: 2131370000-AS
 - PACKAGING SPECIFICATION: 200471-0001-PK
REFER TO AS-45499-001 FOR MOISTURIZING NYLON CONNECTOR PARTS.
 - THIS PART TO BE USED WITH FEMALE TERMINAL SERIES 172765, 203070 AND TPA SERIES 172709-2***.
 - THIS PART MATES WITH RECEPTACLE SERIES 200453-1***
 - THIS PART CONFORMS TO CLASS 'B' REQUIREMENTS OF COSMETIC SPECIFICATION PS-45499-002.
 - SEE DRAWING 1727090002-SD FOR OTHER TPA INFORMATION.
 - SEE DRAWING 2004531000(SD) FOR OTHER RECEPTACLE INFORMATION.
 - SEE DRAWINGS SD-172718-0000 AND 2029880001-PSD FOR OTHER CRIMP TERMINAL INFORMATION.

THIS DRAWING CONTAINS INFORMATION THAT IS PROPRIETARY TO MOLEX ELECTRONIC TECHNOLOGIES, LLC AND SHOULD NOT BE USED WITHOUT WRITTEN PERMISSION										
DIMENSION UNITS	SCALE	CURRENT REV DESC:				molex				
mm	NTS					SD-DRAWING OF MINI-FIT SIGMA SR PLUG				
GENERAL TOLERANCES (UNLESS SPECIFIED)		EC NO: 765372				PRODUCT CUSTOMER DRAWING				
ANGULAR TOL	± °	4 PLACES ±		DRWN: JERRYW8	2023/07/19					
		3 PLACES ±		CHK'D: XQZHANG	2023/10/10					
		2 PLACES ± 0.25		APPR: XQZHANG	2023/10/10					
		1 PLACE ± 0.36		INITIAL REVISION:						
		0 PLACES ±		DRWN: ALUO02	2019/09/24	DOCUMENT NUMBER		DOC TYPE	DOC PART	REVISION
DRAFT WHERE APPLICABLE MUST REMAIN WITHIN DIMENSIONS		THIRD ANGLE PROJECTION		DRAWING	SERIES	2004710001-SD		PSD	000	B3
				A2-SIZE	200471	SEE TABLE		GENERAL MARKET		SHEET NUMBER
										1 OF 2

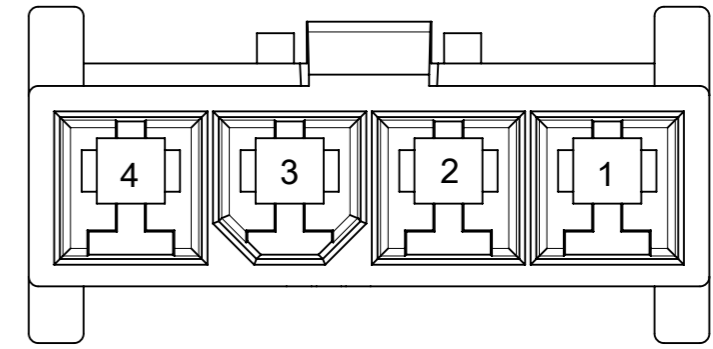
DOCUMENT STATUS	P1	RELEASE DATE	2023/10/10	05:14:52



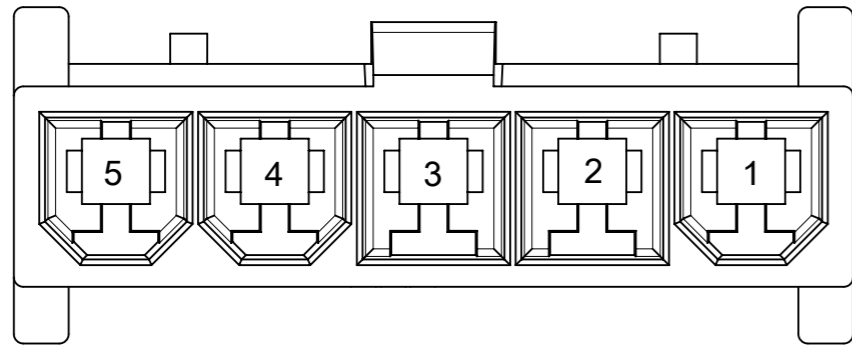
2-CKT



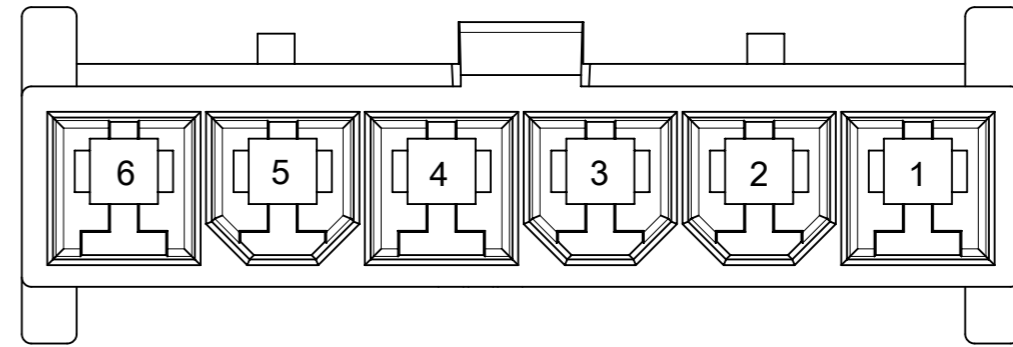
3-CKT



4-CKT



5-CKT



6-CKT

THIS DRAWING CONTAINS INFORMATION THAT IS PROPRIETARY TO MOLEX ELECTRONIC TECHNOLOGIES, LLC AND SHOULD NOT BE USED WITHOUT WRITTEN PERMISSION									
DIMENSION UNITS		SCALE		CURRENT REV DESC:				molex	
mm		NTS							
GENERAL TOLERANCES (UNLESS SPECIFIED)				EC NO: 765372				SD-DRAWING OF MINI-FIT SIGMA SR PLUG	
ANGULAR TOL ± °				DRWN: JERRYW8 2023/07/19					
4 PLACES ±				CHK'D: XQZHANG 2023/10/10				PRODUCT CUSTOMER DRAWING	
3 PLACES ±				APPR: XQZHANG 2023/10/10					
2 PLACES ± 0.25				INITIAL REVISION:				DOCUMENT NUMBER	
1 PLACE ± 0.36				DRWN: ALU002 2019/09/24				2004710001-SD	
0 PLACES ±				APPR: YXZHENG 2019/10/11				DOC TYPE DOC PART REVISION	
DRAFT WHERE APPLICABLE MUST REMAIN WITHIN DIMENSIONS				THIRD ANGLE PROJECTION		DRAWING		SERIES	
						A3-SIZE		200471	
				MATERIAL NUMBER		CUSTOMER		SHEET NUMBER	
				SEE TABLE		GENERAL MARKET		2 OF 2	