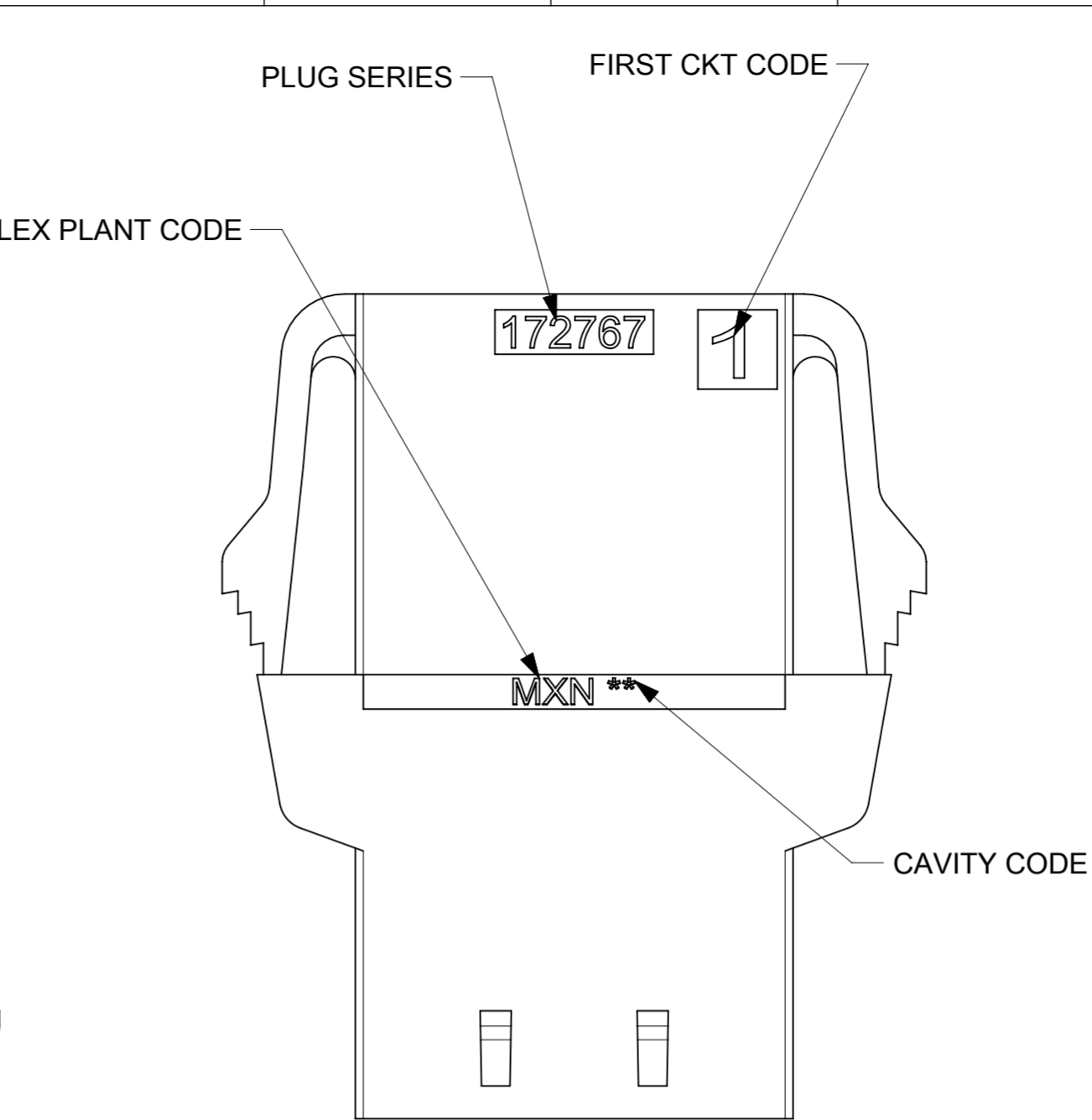
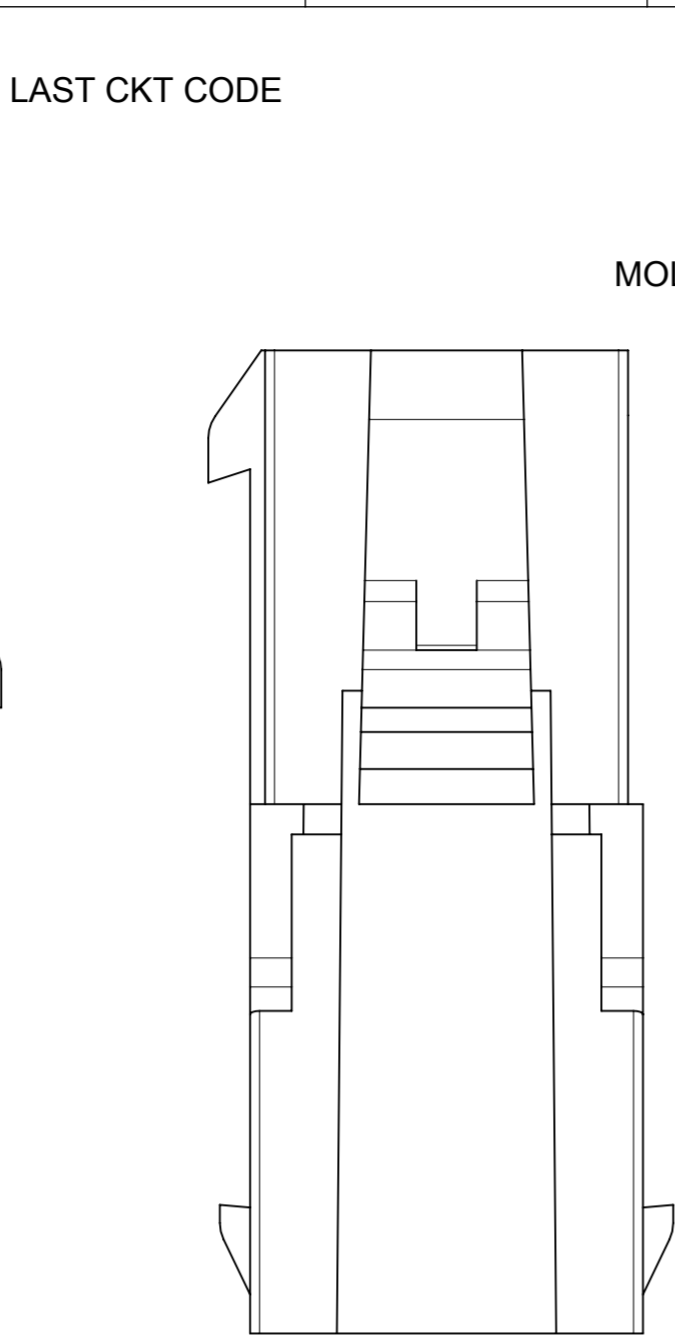
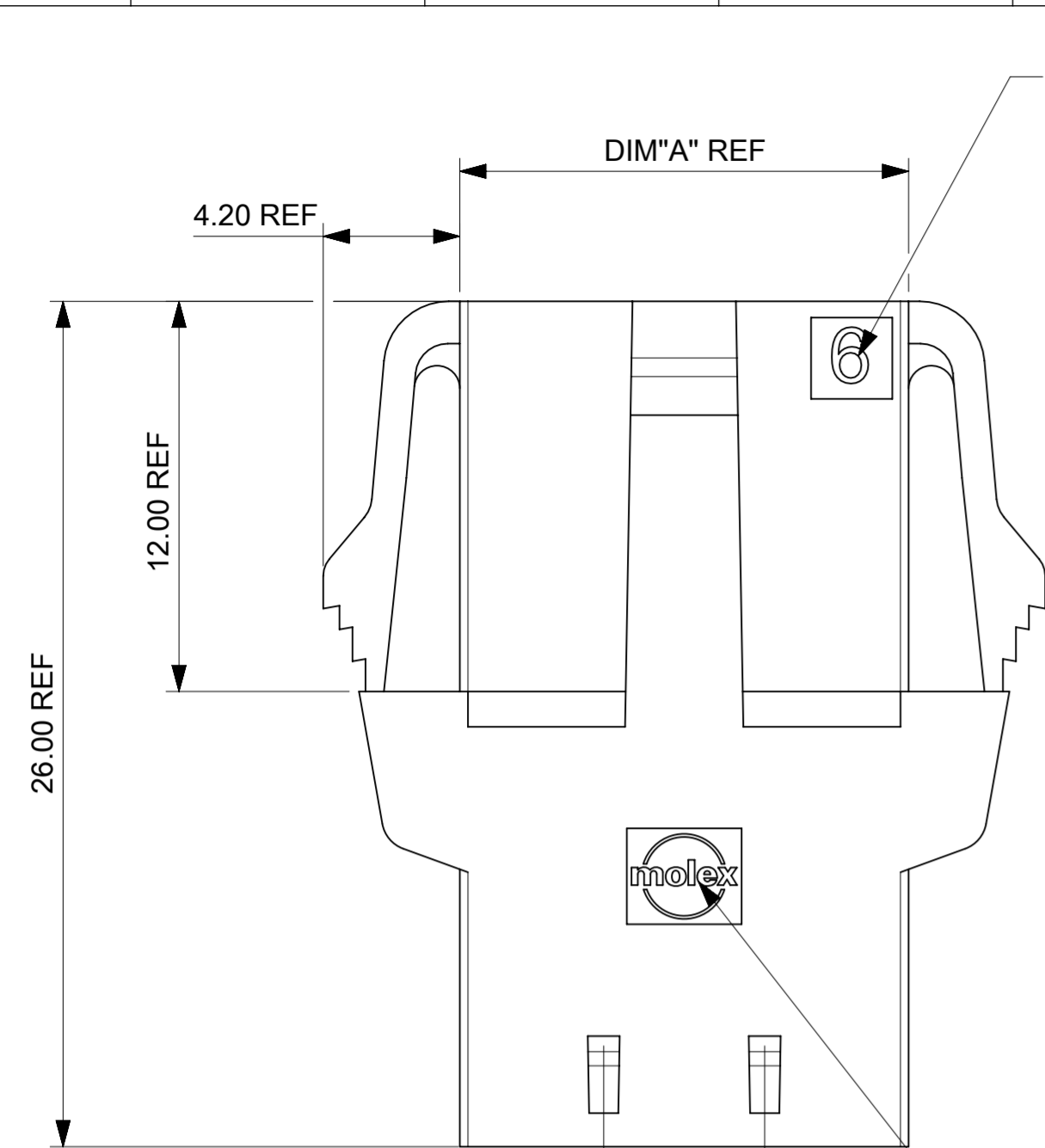
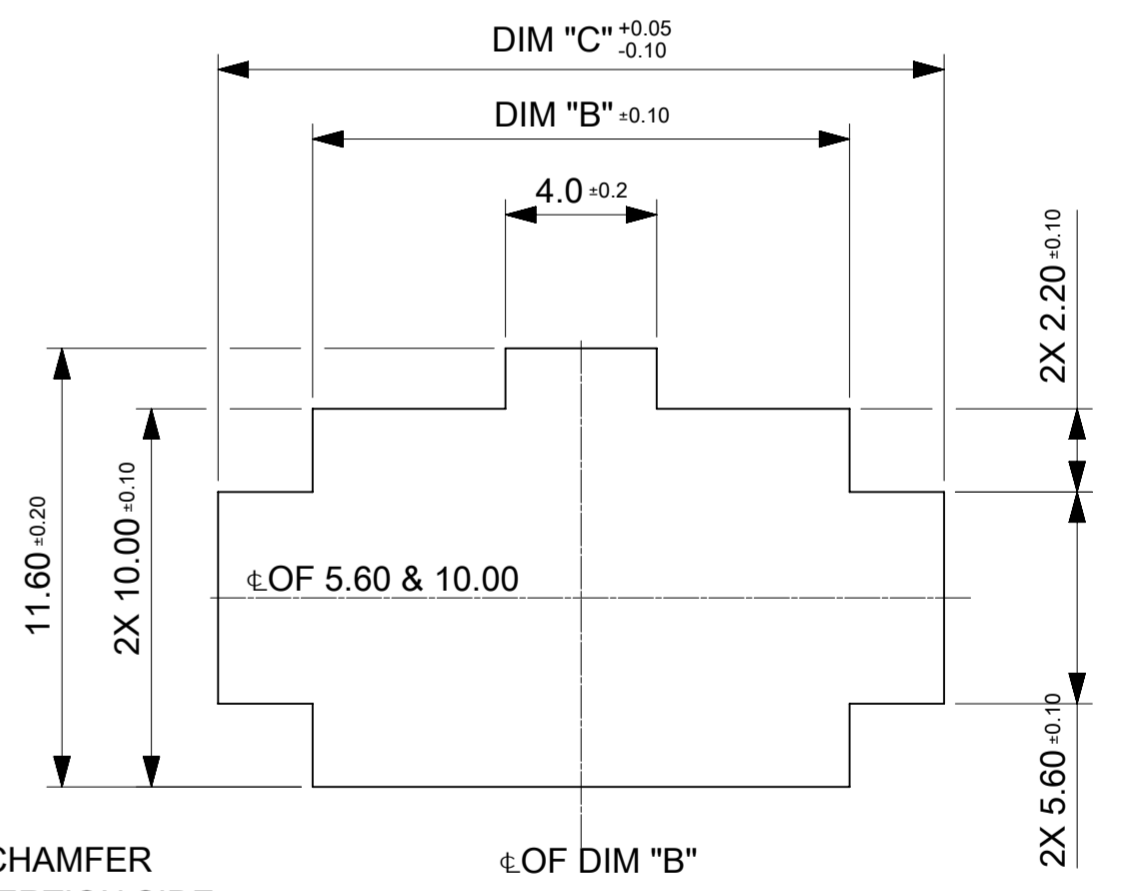
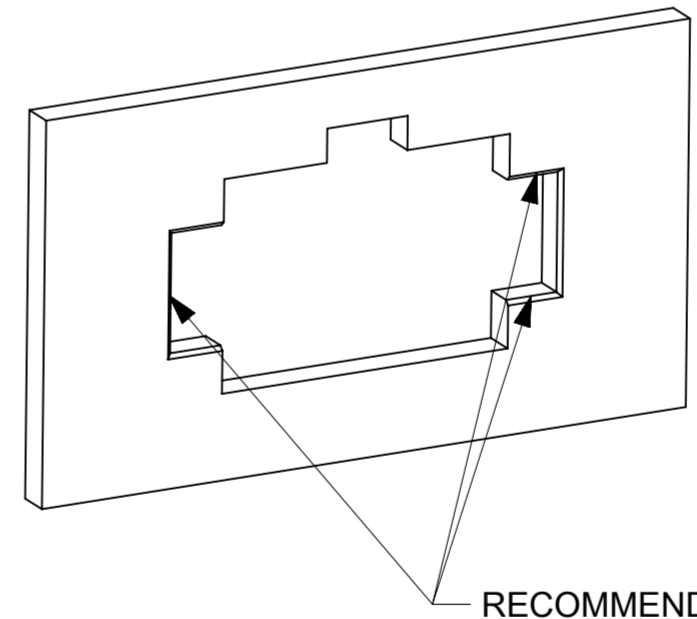
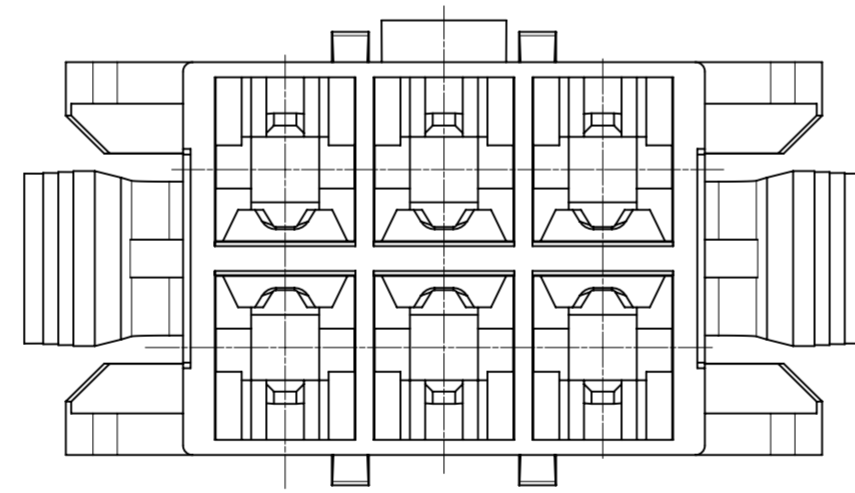
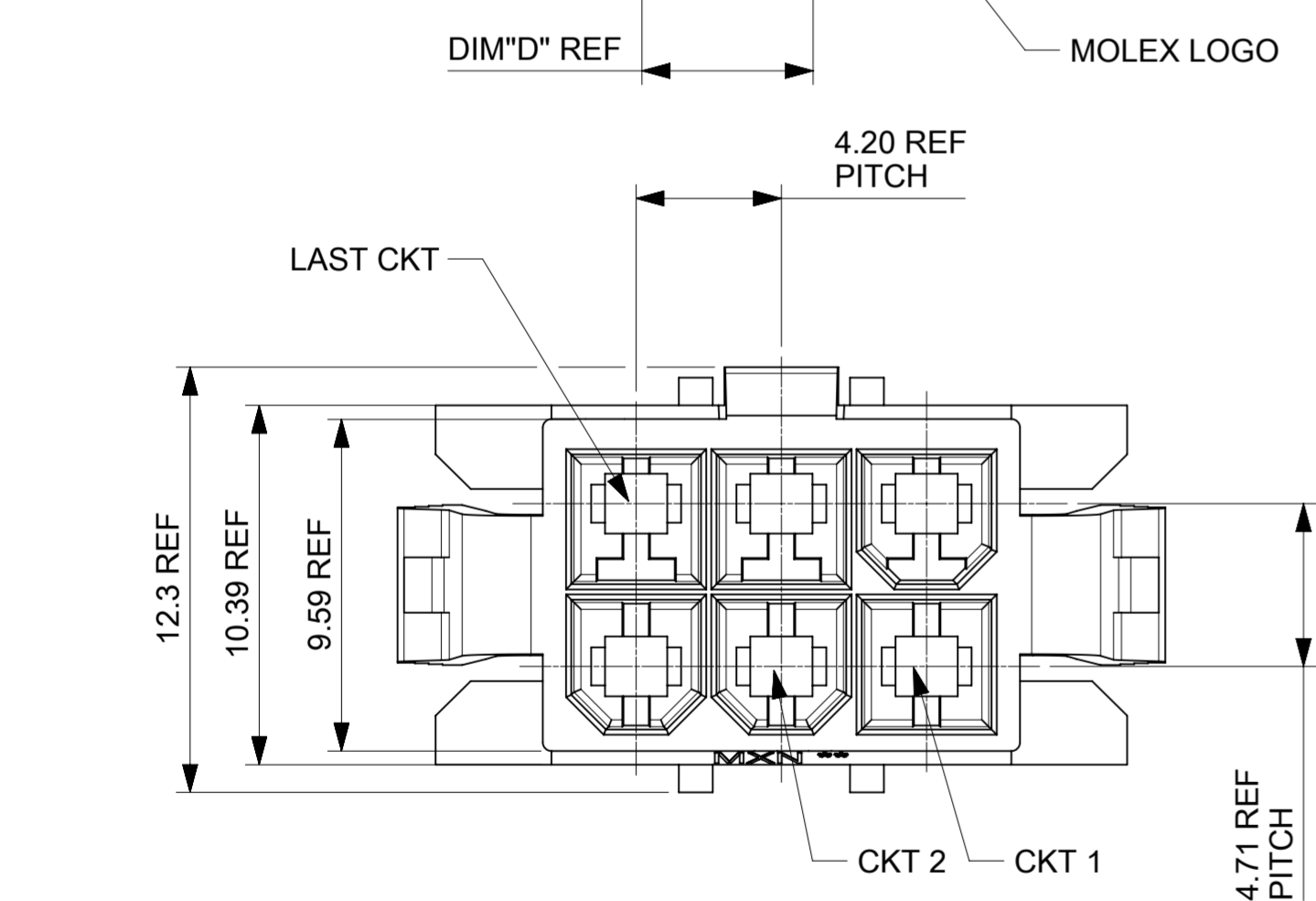
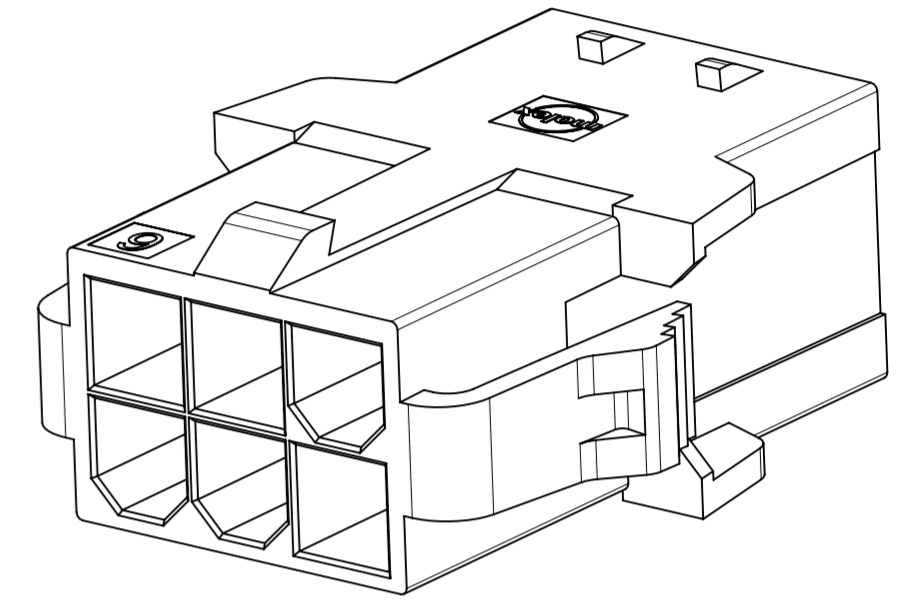


14 13 12 11 10 9 8 7 6 5 4 3 2 1



PLUG P/N	CKT	DIM "A"	DIM "B"	DIM "C"	DIM "D"
1727673002	2	5.40	5.80	10.80	4.95
1727673004	4	9.60	10.00	15.00	4.95
1727673006	6	13.80	14.20	19.20	4.95
1727673008	8	18.00	18.40	23.40	4.95
1727673010	10	22.20	22.60	27.60	12.95
1727673012	12	26.40	26.80	31.80	12.95
1727673014	14	30.60	31.00	36.00	12.95
1727673016	16	34.80	35.20	40.20	12.95
1727673018	18	39.00	39.40	44.40	20.95



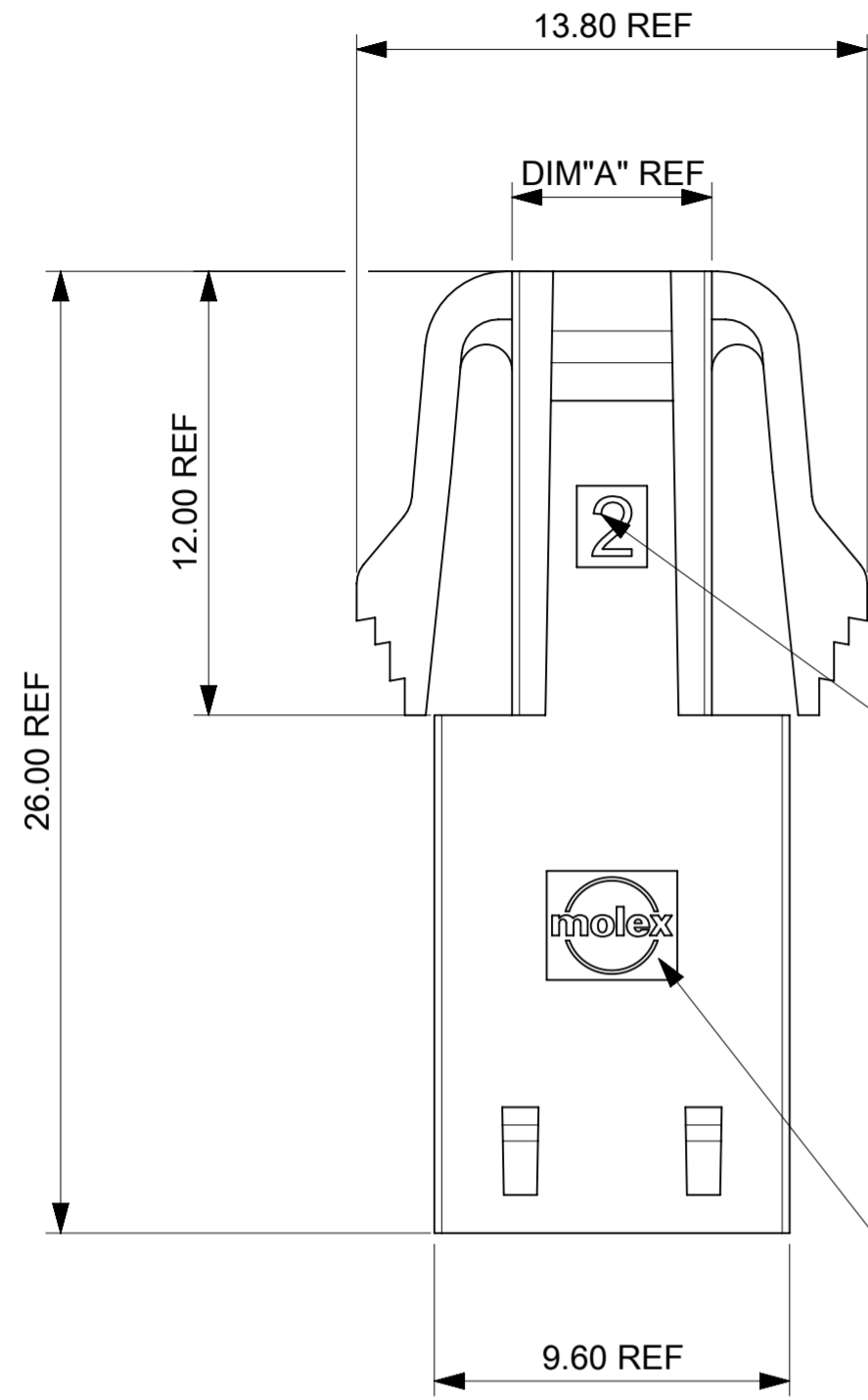
- NOTES:
- MATERIAL: NYLON, UL 94V-0 AND GLOW WIRE CAPABLE PER IEC60335-1; COLOR: BLACK
 - FINISH: NONE
 - PRODUCT SPECIFICATION: 2131370000-PS/2029880002-PS
APPLICATION SPECIFICATION: 2131370000-AS
 - PACKAGING SPECIFICATION: 172762-0001-PK
REFER TO AS-45499-001 FOR MOISTURIZING NYLON CONNECTOR PARTS.
 - THIS PART TO BE USED WITH FEMALE TERMINAL SERIES 172765, 203070 AND TPA SERIES 172709-2***.
 - THIS PART MATES WITH SERIES 172708-1***
 - THIS PART CONFORMS TO CLASS 'B' REQUIREMENTS OF COSMETIC SPECIFICATION PS-45499-002.
 - SEE DRAWING 1727090002-SD FOR OTHER TPA INFORMATION.
 - SEE DRAWING 1727080002-SD FOR OTHER RECEPTACLE INFORMATION.
 - SEE DRAWINGS SD-172718-0000 AND 2029880001-PSD FOR OTHER CRIMP TERMINAL INFORMATION.

RECOMMENDED PANEL CUT-OUT DIMENSIONS
PANEL THICKNESS 0.80-2.00MM

THIS DRAWING CONTAINS INFORMATION THAT IS PROPRIETARY TO MOLEX ELECTRONIC TECHNOLOGIES, LLC AND SHOULD NOT BE USED WITHOUT WRITTEN PERMISSION

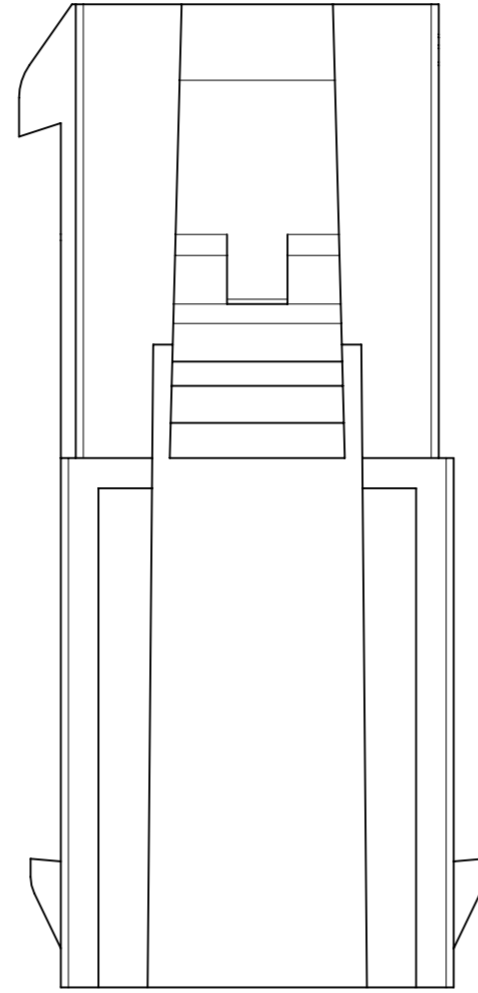
DIMENSION UNITS	SCALE	CURRENT REV DESC:		molex			
mm	NTS						
GENERAL TOLERANCES (UNLESS SPECIFIED)				SD-DRAWING OF MINI-FIT SIGMA DR PLUG			
ANGULAR TOL	± °	EC NO: 787525		PRODUCT CUSTOMER DRAWING			
4 PLACES	±	DRWN: JERRYW8	2024/05/28	DOCUMENT NUMBER			
3 PLACES	±	CHK'D: XQZHANG	2024/05/30	1727670002-SD			
2 PLACES	± 0.25	APPR: XQZHANG	2024/05/30	DOC TYPE DOC PART REVISION			
1 PLACE	± 0.36	INITIAL REVISION:		PSD 000 A7			
0 PLACES	±	DRWN: ALUO02	2019/09/24	MATERIAL NUMBER			
DRAFT WHERE APPLICABLE MUST REMAIN WITHIN DIMENSIONS		APPR: YXZHENG	2019/10/11	CUSTOMER			
THIRD ANGLE PROJECTION		DRAWING	SERIES	SHEET NUMBER			
A2-SIZE		172767	SEE TABLE	GENERAL MARKET			
				1 OF 4			

14 13 12 11 10 9 8 7 6 5 4 3 2 1



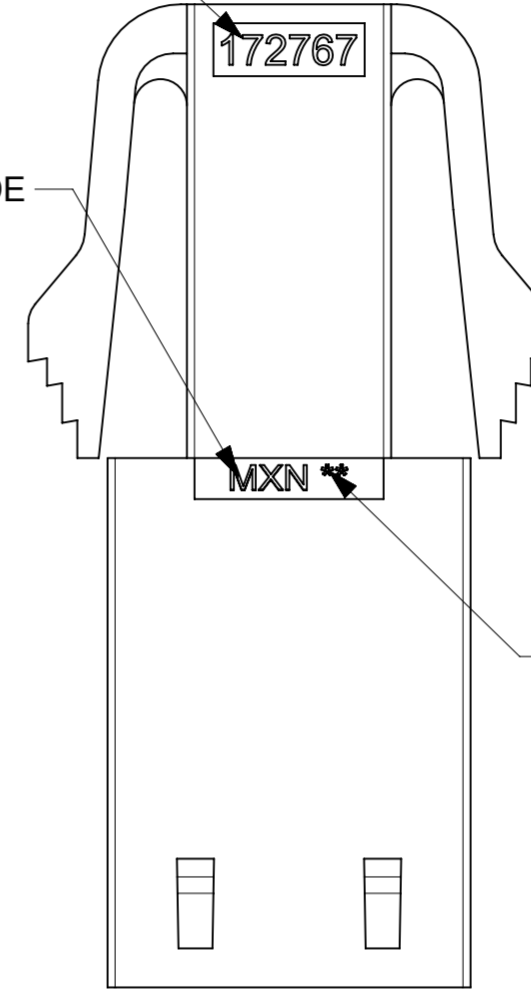
LAST CKT CODE

MOLEX LOGO

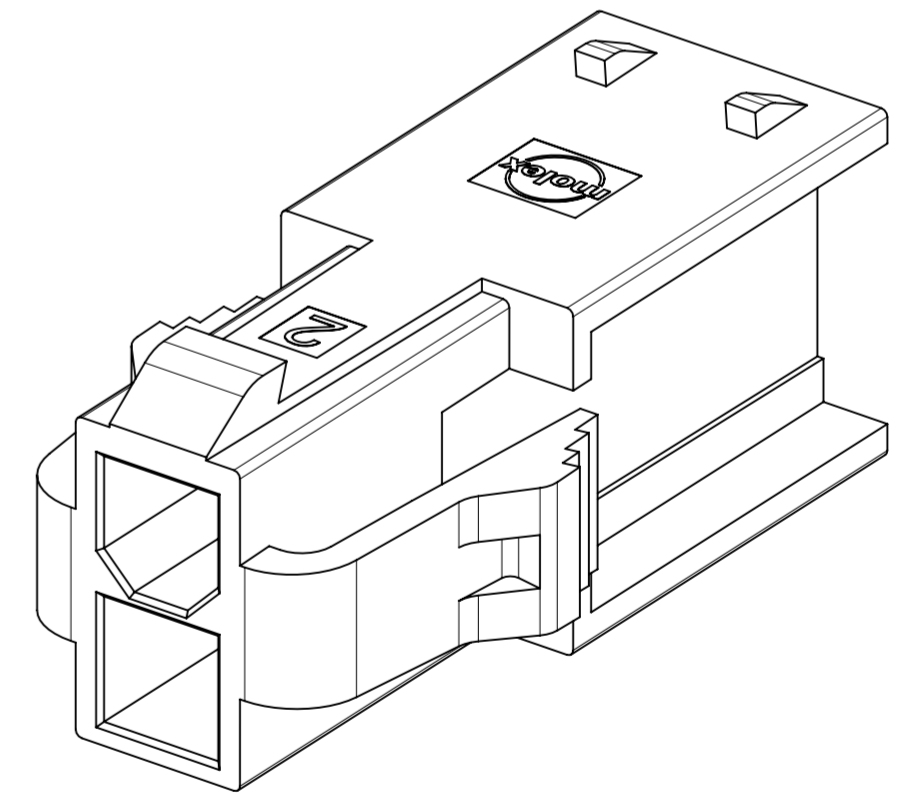
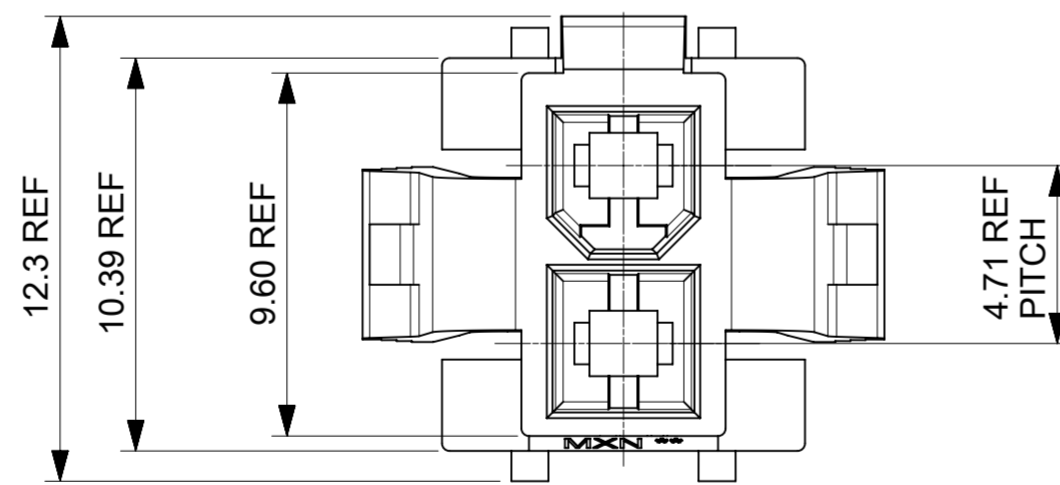
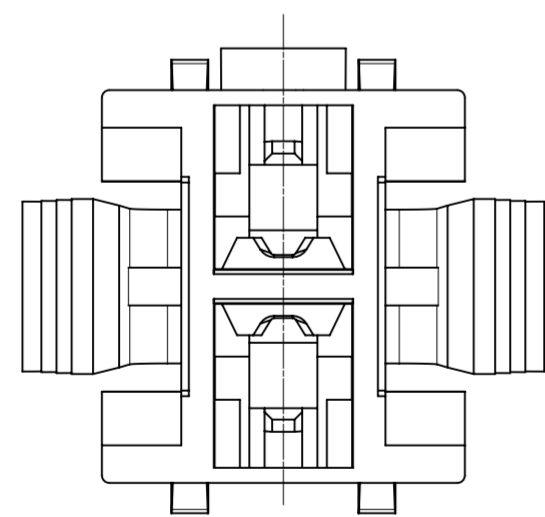


PLUG SERIES

MOLEX PLANT CODE

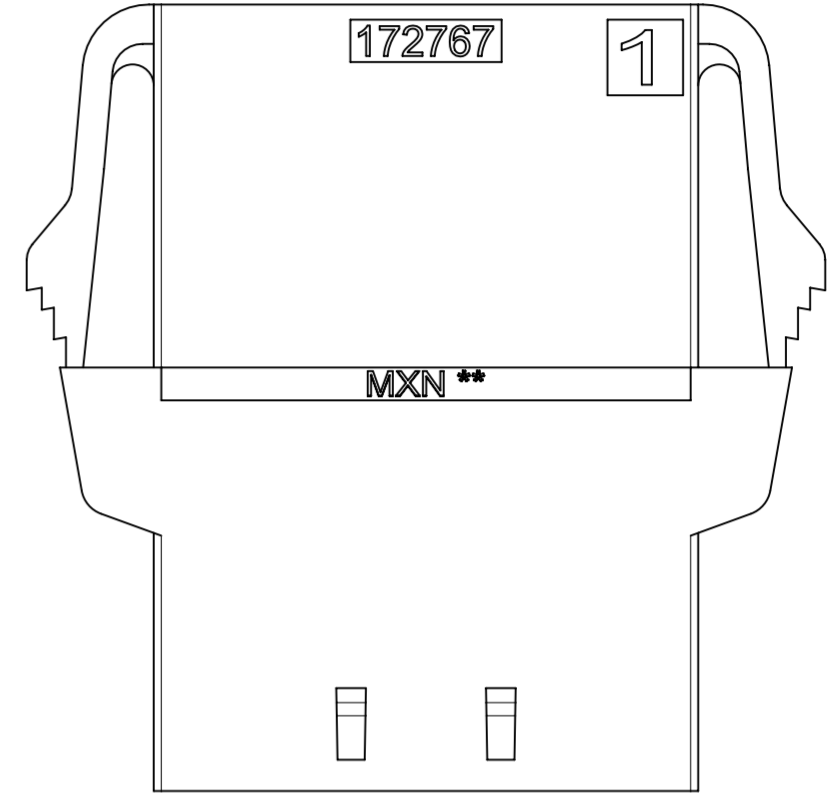
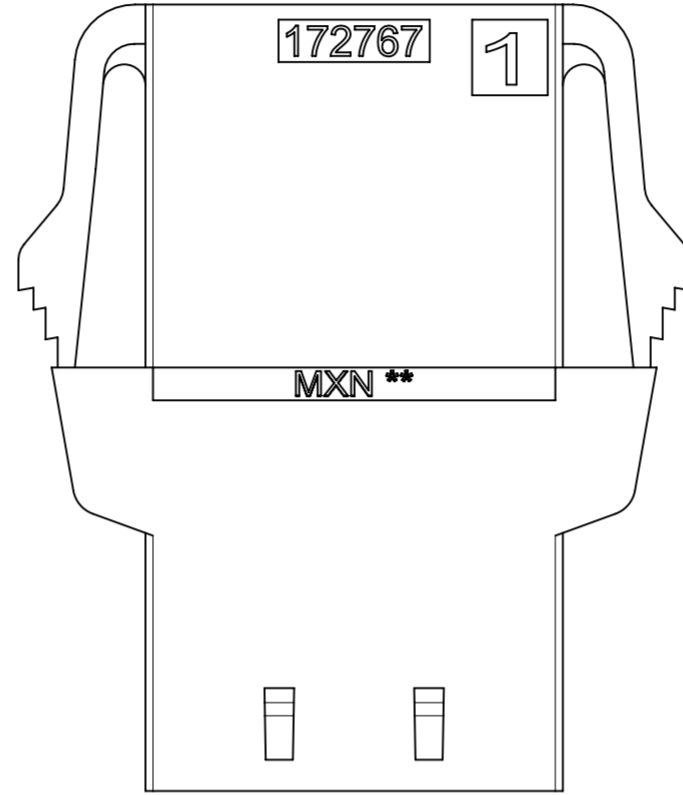
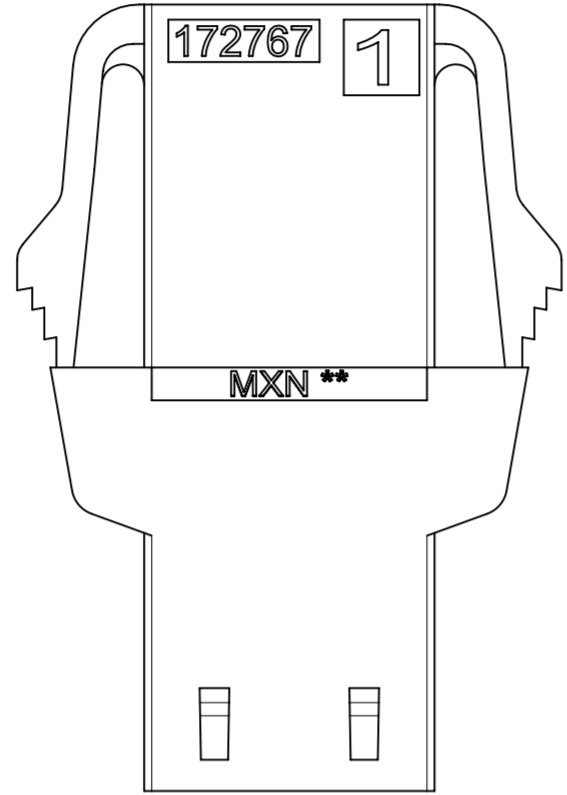
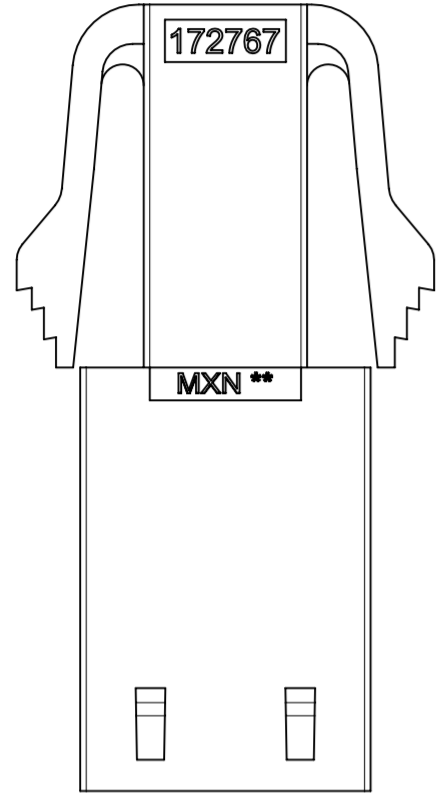
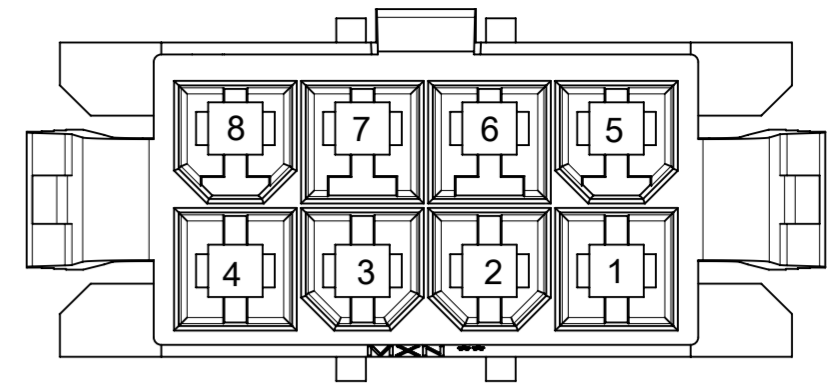
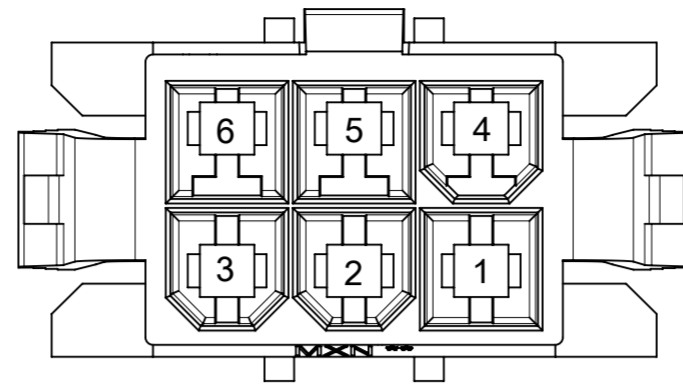
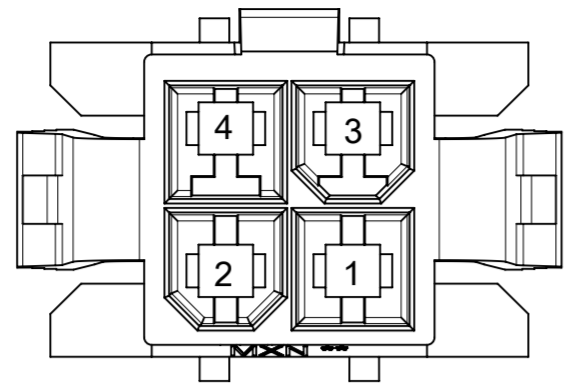
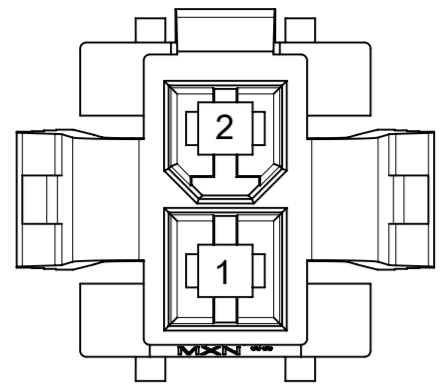


CAVITY CODE



THIS DRAWING CONTAINS INFORMATION THAT IS PROPRIETARY TO MOLEX ELECTRONIC TECHNOLOGIES, LLC AND SHOULD NOT BE USED WITHOUT WRITTEN PERMISSION

DIMENSION UNITS	SCALE	CURRENT REV DESC:				molex				
mm	NTS									
GENERAL TOLERANCES (UNLESS SPECIFIED)						SD-DRAWING OF MINI-FIT SIGMA DR PLUG				
ANGULAR TOL	± °					PRODUCT CUSTOMER DRAWING				
4 PLACES	±	EC NO: 787525	2024/05/28			DOCUMENT NUMBER		DOC TYPE	DOC PART	REVISION
3 PLACES	±	DRWN: JERRYW8	2024/05/30			1727670002-SD		PSD	000	A7
2 PLACES	± 0.25	CHK'D: XQZHANG	2024/05/30			MATERIAL NUMBER		CUSTOMER		SHEET NUMBER
1 PLACE	± 0.36	APPR: XQZHANG	2024/05/30			SEE TABLE		GENERAL MARKET		2 OF 4
0 PLACES	±	INITIAL REVISION:								
DRAFT WHERE APPLICABLE MUST REMAIN WITHIN DIMENSIONS		DRWN: ALUO02	2019/09/24							
		APPR: YXZHENG	2019/10/11							
		THIRD ANGLE PROJECTION	DRAWING	SERIES						
			A2-SIZE	172767						

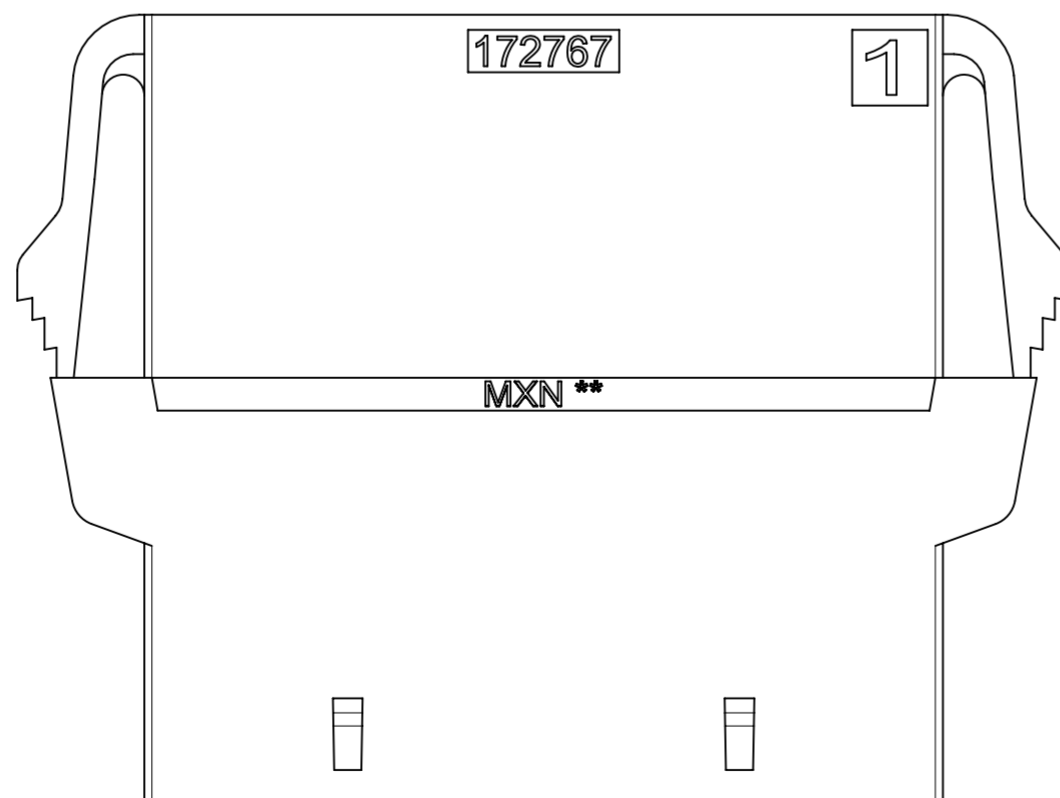
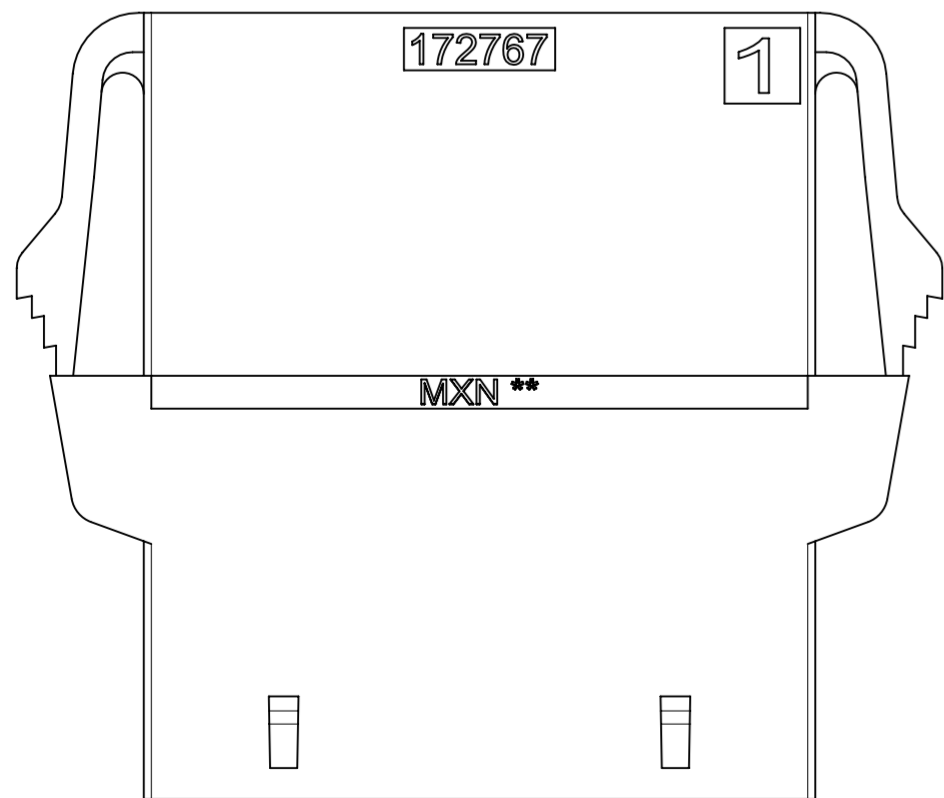
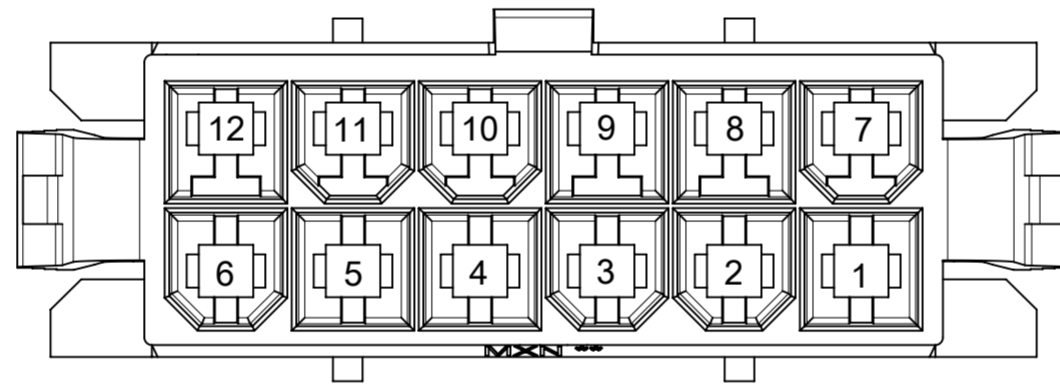
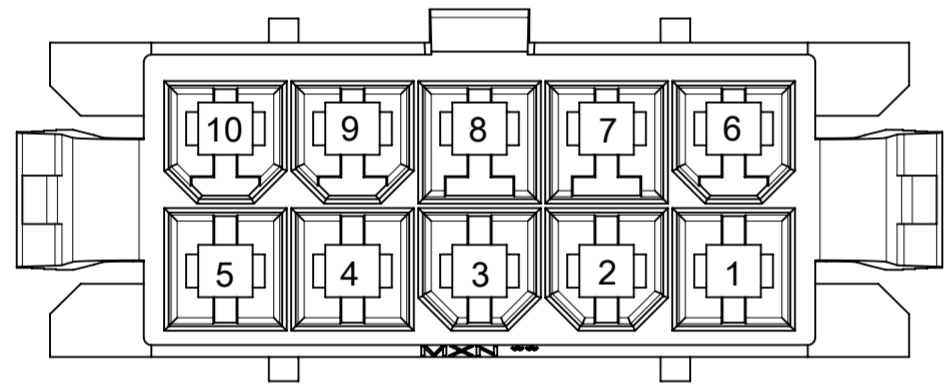


2-CKT

4-CKT

6-CKT

8-CKT

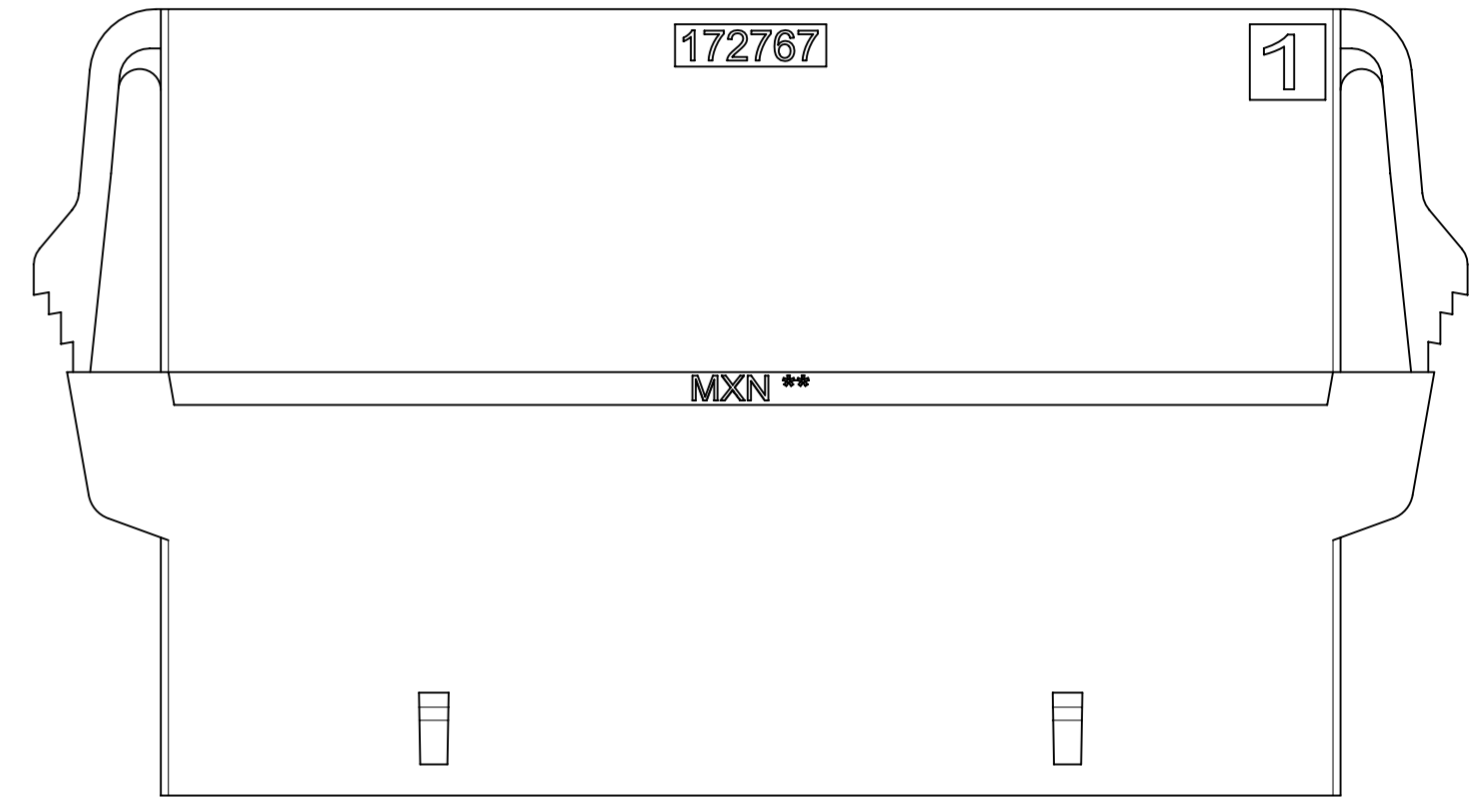
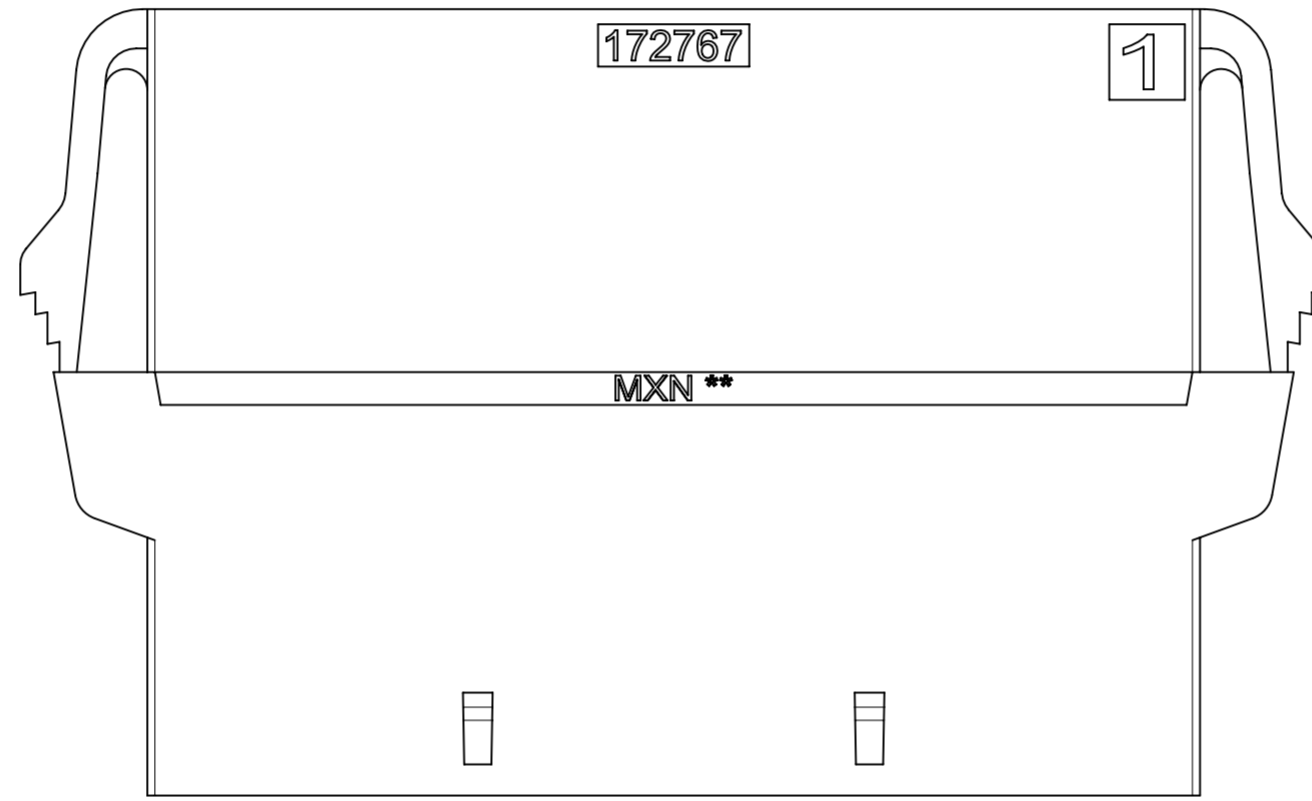
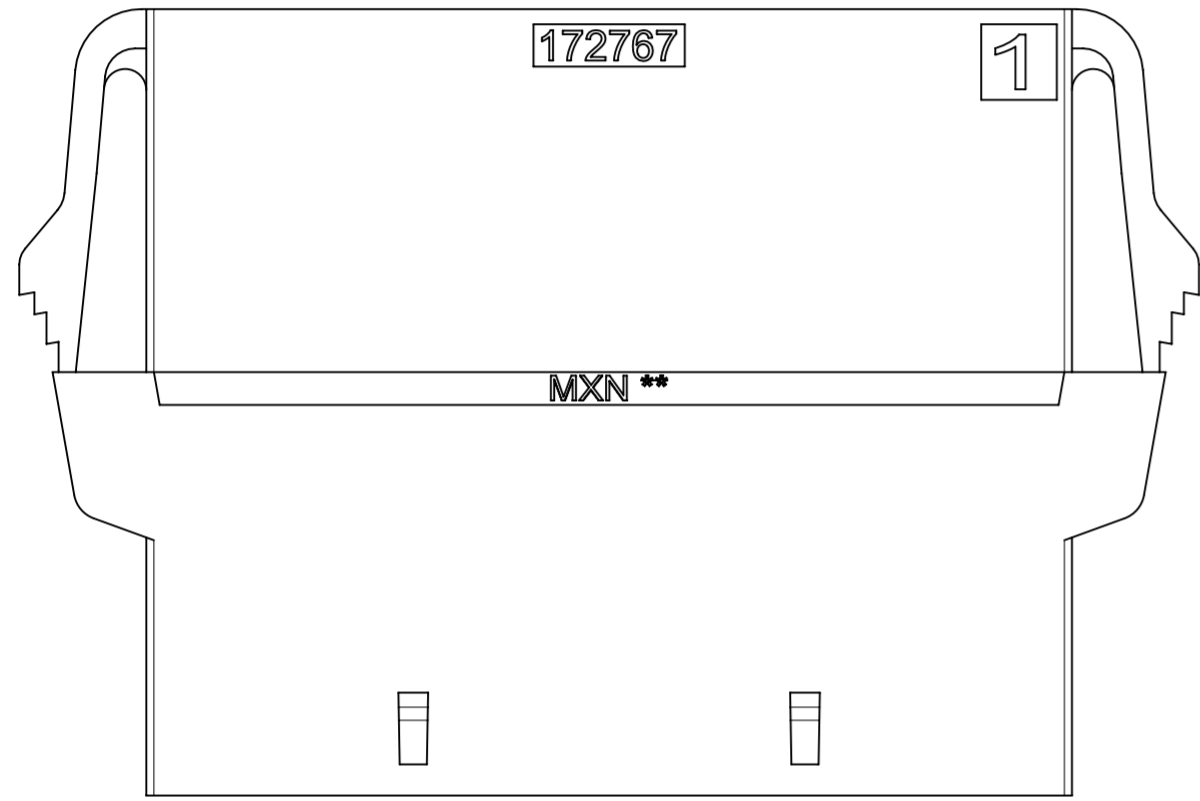
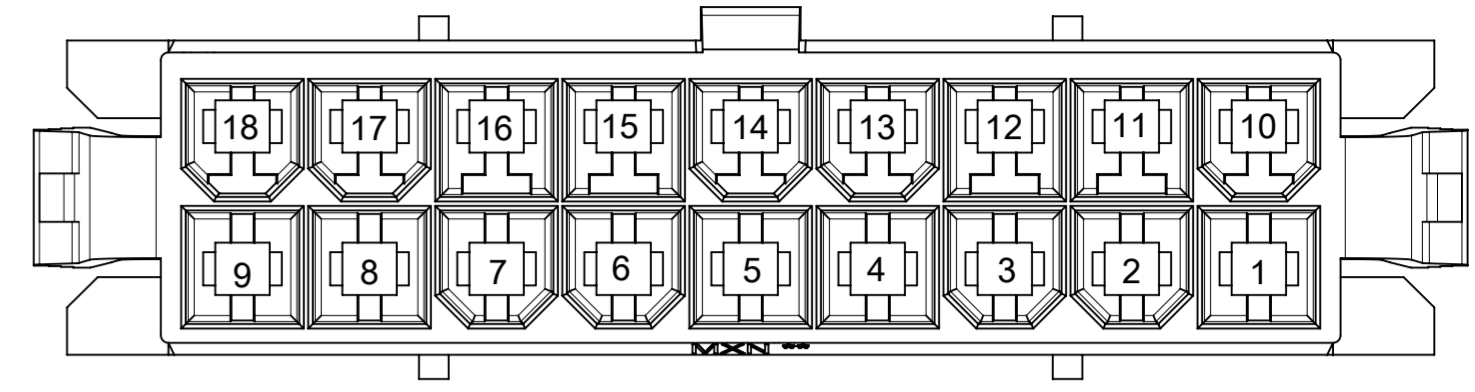
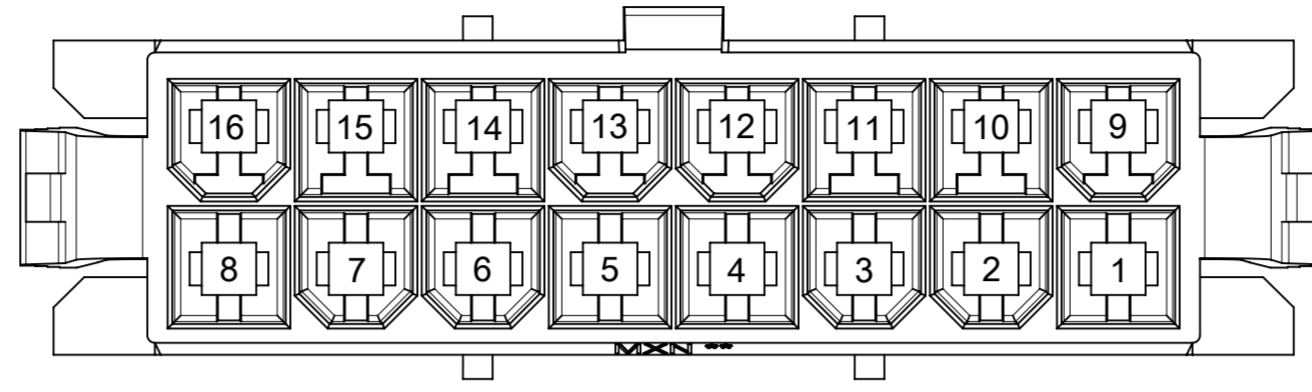
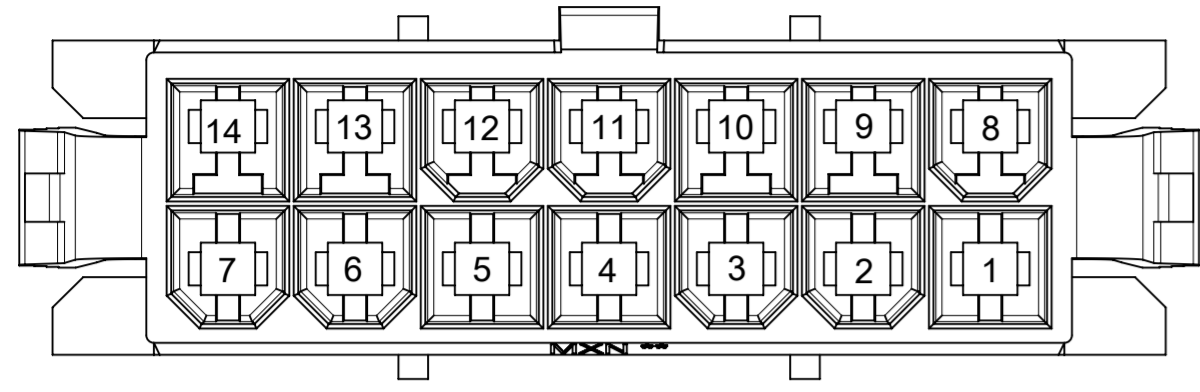


10-CKT

12-CKT

THIS DRAWING CONTAINS INFORMATION THAT IS PROPRIETARY TO MOLEX ELECTRONIC TECHNOLOGIES, LLC AND SHOULD NOT BE USED WITHOUT WRITTEN PERMISSION

DIMENSION UNITS	SCALE	CURRENT REV DESC:					
mm	NTS						
GENERAL TOLERANCES (UNLESS SPECIFIED)				SD-DRAWING OF MINI-FIT SIGMA DR PLUG			
ANGULAR TOL ± °				PRODUCT CUSTOMER DRAWING			
4 PLACES	±	EC NO: 787525	2024/05/28	DOCUMENT NUMBER			
3 PLACES	±	DRWN: JERRYW8	2024/05/30	1727670002-SD			
2 PLACES	± 0.25	CHK'D: XQZHANG	2024/05/30	DOC TYPE	DOC PART	REVISION	
1 PLACE	± 0.36	APPR: XQZHANG	2024/05/30	PSD	000	A7	
0 PLACES	±	INITIAL REVISION:		SHEET NUMBER			
DRAFT WHERE APPLICABLE MUST REMAIN WITHIN DIMENSIONS		DRWN: ALUO02	2019/09/24	MATERIAL NUMBER		CUSTOMER	
		APPR: YXZHENG	2019/10/11	SEE TABLE		GENERAL MARKET	
		THIRD ANGLE PROJECTION		DRAWING		SERIES	
				A2-SIZE		172767	



14-CKT

16-CKT

18-CKT

THIS DRAWING CONTAINS INFORMATION THAT IS PROPRIETARY TO MOLEX ELECTRONIC TECHNOLOGIES, LLC AND SHOULD NOT BE USED WITHOUT WRITTEN PERMISSION

DIMENSION UNITS	SCALE	CURRENT REV DESC:		molex				
mm	NTS							
GENERAL TOLERANCES (UNLESS SPECIFIED)				SD-DRAWING OF MINI-FIT SIGMA DR PLUG				
ANGULAR TOL	± °	EC NO: 787525		PRODUCT CUSTOMER DRAWING				
4 PLACES	±	DRWN: JERRYW8	2024/05/28	DOCUMENT NUMBER				
3 PLACES	±	CHK'D: XQZHANG	2024/05/30					
2 PLACES	± 0.25	APPR: XQZHANG	2024/05/30	1727670002-SD		DOC TYPE	DOC PART	REVISION
1 PLACE	± 0.36	INITIAL REVISION:		2019/09/24		PSD	000	A7
0 PLACES	±	DRWN: ALUO02	2019/10/11	2019/10/11				
DRAFT WHERE APPLICABLE MUST REMAIN WITHIN DIMENSIONS		THIRD ANGLE PROJECTION	DRAWING	SERIES	MATERIAL NUMBER	CUSTOMER	SHEET NUMBER	
			A2-SIZE	172767	SEE TABLE	GENERAL MARKET	4 OF 4	

DOCUMENT STATUS	P1	RELEASE DATE	2024/05/30	09:41:52
-----------------	----	--------------	------------	----------