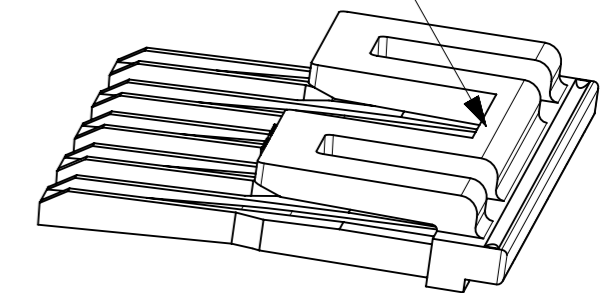
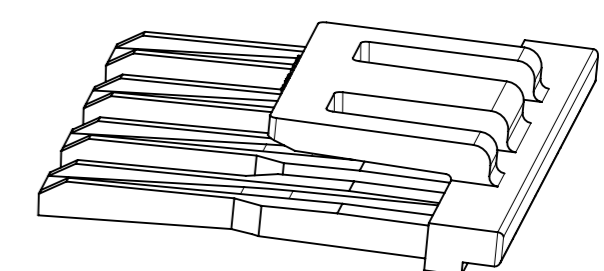


PART NO.	CIRCUIT	DIM A
172709-2001	1	9.58
172709-2002	2	9.58
172709-2003	3	13.78
172709-2004	4	17.98
172709-2005	5	22.20
172709-2006	6	26.40
172709-2007	7	30.60
172709-2008	8	34.80
172709-2009	9	39.00

BRIDGE SPECIFY FOR 5-9CKT



PROFILE FOR 5-9CKT

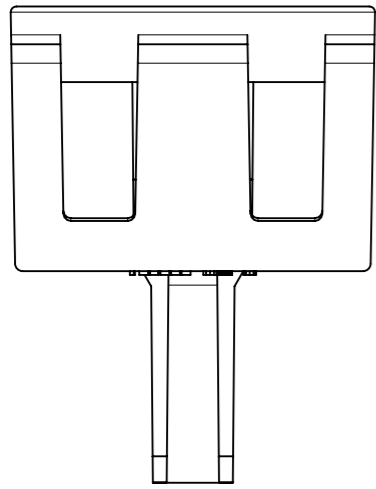


PROFILE FOR 1-4CKT

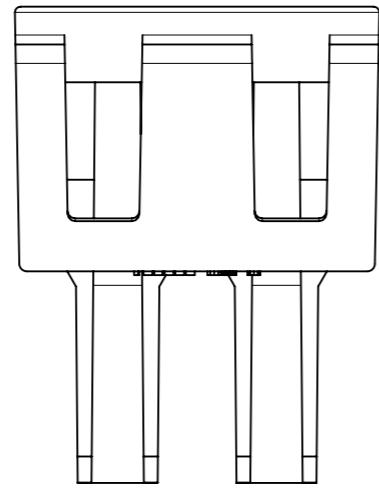
NOTES:

- 1.MATERIAL: NYLON UL 94V-0,GLOW WIRE CAPABLE PER IEC 60335-1,NATURAL
- 2.PARTS TO BE PACKAGED PER 1727090002-PK
- 3.PRODUCT SPECIFICATION 2131370000-PS , 2029880002-PS
- 4.APPLICATION SPECIFICATION : 2131370000-AS
- 5.APPEARANCE APPLICATION SPECIFICATION : 1727090000-AS
- 6.REFER TO AS-45499-001 FOR MOISTURIZING NYLON CONNECTOR PARTS
- 7.PART USED WITH MOLEX SERIES :
 RECEPTACLE HOUSING 172708-1***, 200453-1***;
 PLUG HOUSING 172762-1***,172767-3***,200471-1***,200488-2***;
- 8.PART CONFORMS TO CLASS "B" REQUIREMENTS OF SPECIFICATION PS-45499-0002

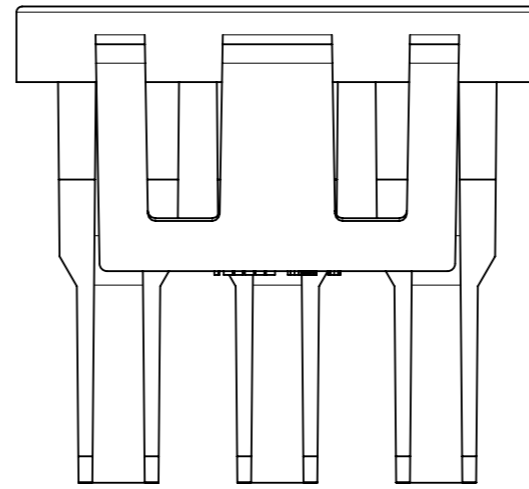
FUNCTIONAL SYMBOLS ▽A = 0 ▽E = 0 ▽F = 0	THIS DRAWING CONTAINS INFORMATION THAT IS PROPRIETARY TO MOLEX ELECTRONIC TECHNOLOGIES, LLC AND SHOULD NOT BE USED WITHOUT WRITTEN PERMISSION		CURRENT REV DESC:				
	mm	5:1	EC NO: 688090				
DIVISIONAL SYMBOLS	GENERAL TOLERANCES (UNLESS SPECIFIED)		DRWN: HPAN18		SD-DRAWING OF MINI FIT SIGMA TPA PRODUCT CUSTOMER DRAWING		
	ANGULAR TOL ± °		2021/12/28				
	4 PLACES ±		CHK'D: XQZHANG		DOCUMENT NUMBER		
	3 PLACES ±		APPR: XQZHANG			DOC TYPE	
	2 PLACES ± 0.25		INITIAL REVISION:		DOC PART		
	1 PLACE ±		DRWN: ALU002			REVISION	
	0 PLACES ±		APPR: AYIN		1727090002-SD		
DRAFT WHERE APPLICABLE MUST REMAIN WITHIN DIMENSIONS		THIRD ANGLE PROJECTION	DRAWING	SERIES	MATERIAL NUMBER	CUSTOMER	SHEET NUMBER
			A3-SIZE	172709	SEE TABLE	GENERAL MARKET	1 OF 3



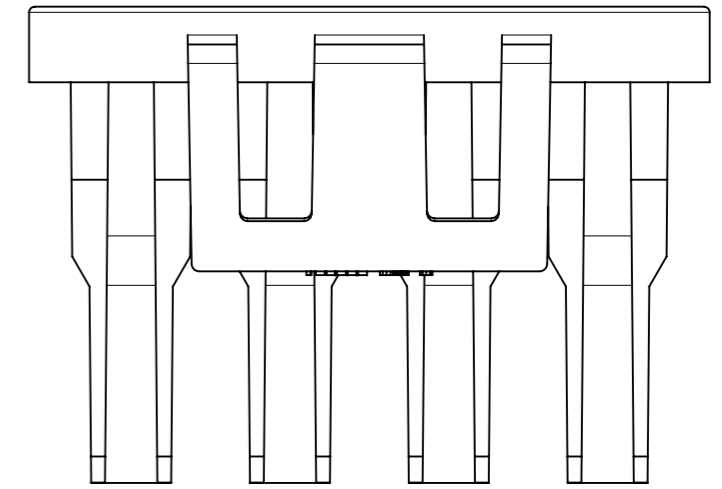
1 CKT



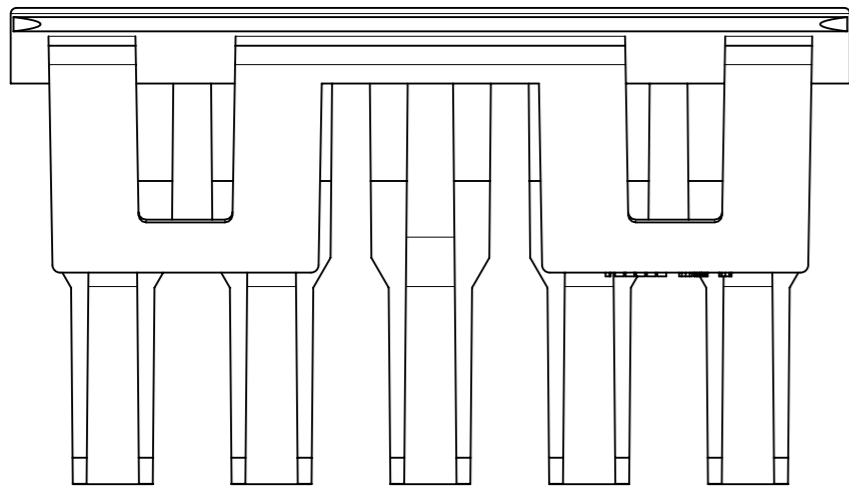
2 CKT



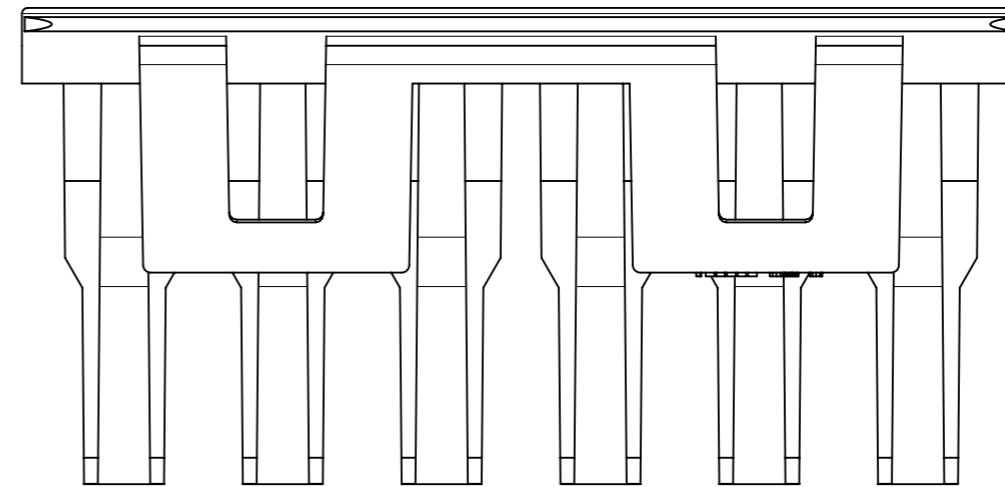
3 CKT



4 CKT



5 CKT



6 CKT

FUNCTIONAL SYMBOLS	THIS DRAWING CONTAINS INFORMATION THAT IS PROPRIETARY TO MOLEX ELECTRONIC TECHNOLOGIES, LLC AND SHOULD NOT BE USED WITHOUT WRITTEN PERMISSION				
	$\nabla_A = 0$ $\nabla_E = 0$ $\nabla_V = 0$	DIMENSION UNITS: mm SCALE: 1:1			
DIVISIONAL SYMBOLS	GENERAL TOLERANCES (UNLESS SPECIFIED)		SD-DRAWING OF MINI FIT SIGMA TPA		
	ANGULAR TOL ± °		PRODUCT CUSTOMER DRAWING		
	4 PLACES ±		DOCUMENT NUMBER	DOC TYPE	DOC PART
	3 PLACES ±		1727090002-SD	PSD	000
2 PLACES ± 0.25		REVISION			
1 PLACE ±		2019/06/20		D3	
0 PLACES ±		2019/06/24			
DRAFT WHERE APPLICABLE MUST REMAIN WITHIN DIMENSIONS		THIRD ANGLE PROJECTION	DRAWING	SERIES	MATERIAL NUMBER
			A3-SIZE	172709	SEE TABLE
			CUSTOMER		SHEET NUMBER
			GENERAL MARKET		2 OF 3

10

9

8

7

6

5

4

3

2

1

F

F

E

E

D

D

C

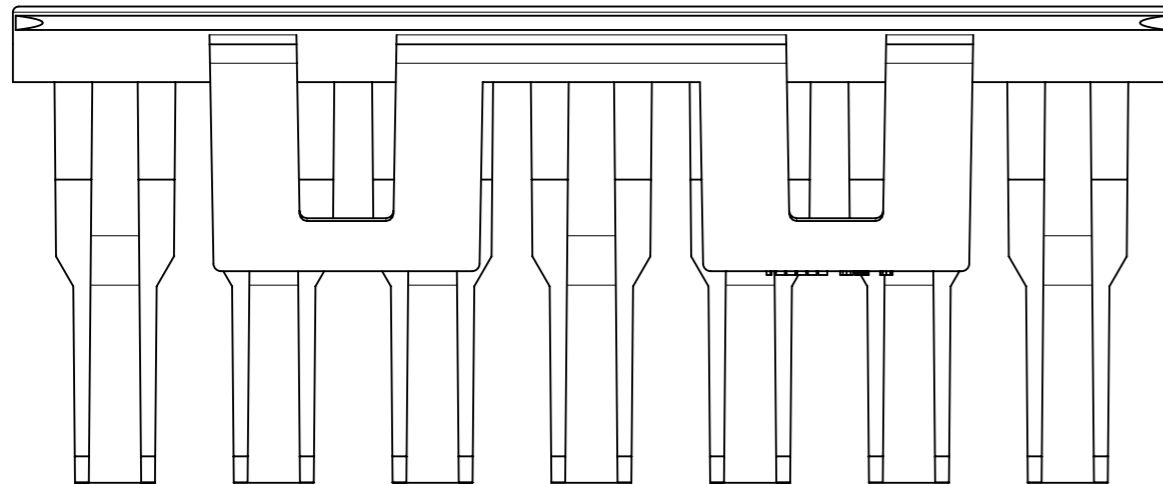
C

B

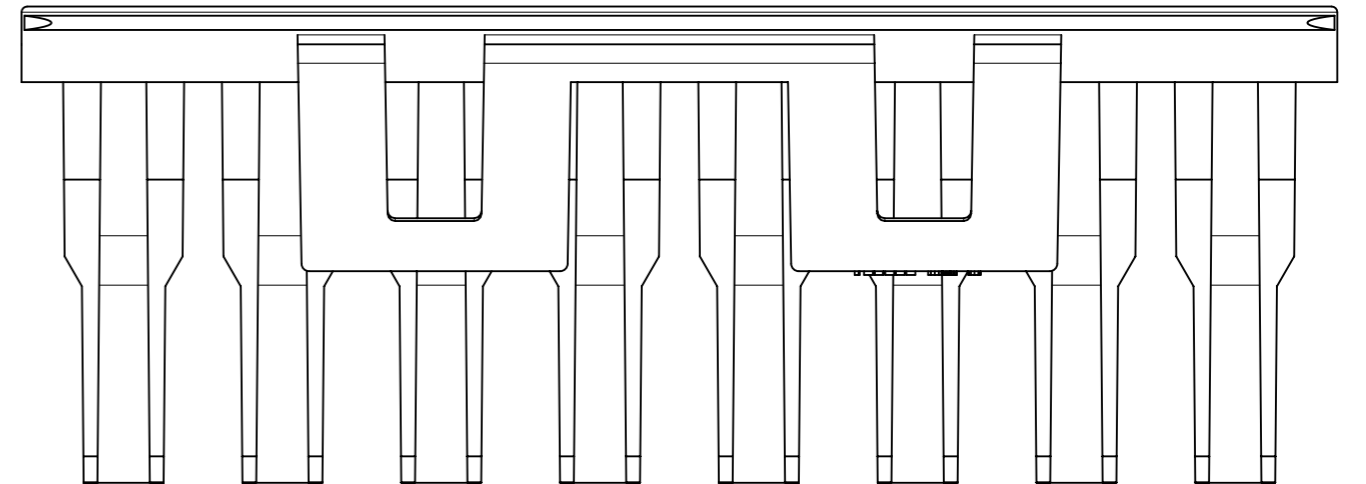
B

A

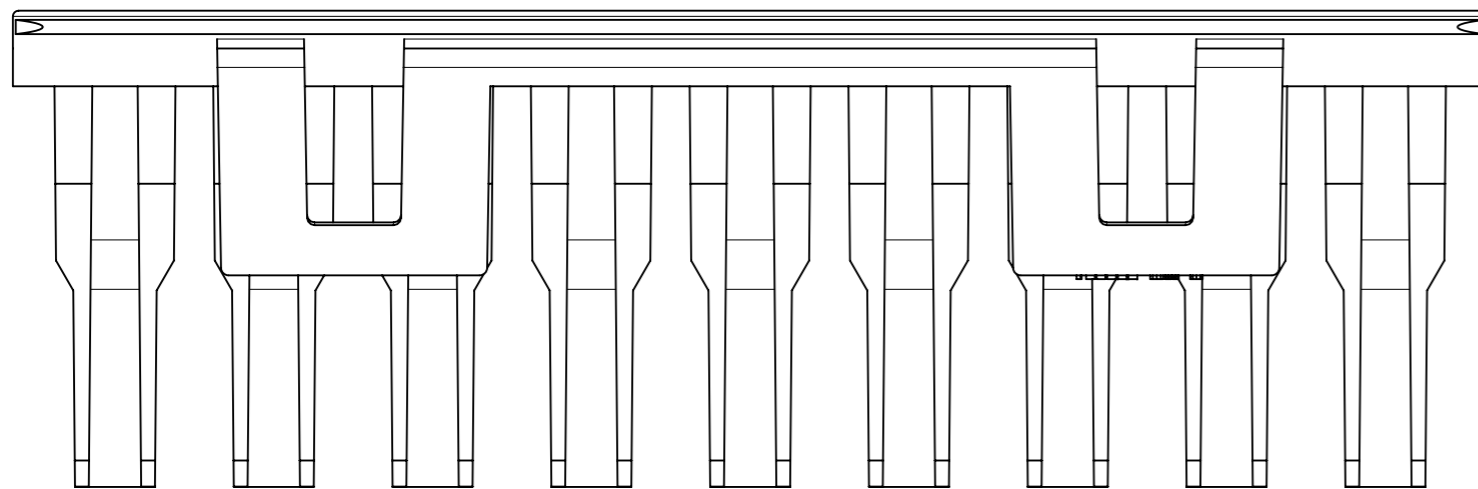
A



7 CKT



8 CKT



9 CKT

FUNCTIONAL SYMBOLS	THIS DRAWING CONTAINS INFORMATION THAT IS PROPRIETARY TO MOLEX ELECTRONIC TECHNOLOGIES, LLC AND SHOULD NOT BE USED WITHOUT WRITTEN PERMISSION		
	△/A = 0	mm	SCALE 5:1
DIVISIONAL SYMBOLS	CURRENT REV DESC:		
	△/E = 0	GENERAL TOLERANCES (UNLESS SPECIFIED)	
DIVISIONAL SYMBOLS	△/V = 0	ANGULAR TOL ± °	
		4 PLACES ±	EC NO: 688090
		3 PLACES ±	DRWN: HPAN18 2021/12/08
		2 PLACES ± 0.25	CHK'D: XQZHANG 2021/12/28
		1 PLACE ±	APPR: XQZHANG 2021/12/28
	0 PLACES ±	INITIAL REVISION:	DOCUMENT NUMBER
		DRWN: ALU002 2019/06/20	1727090002-SD
		APPR: AYIN 2019/06/24	PSD 000 D3
	DRAFT WHERE APPLICABLE MUST REMAIN WITHIN DIMENSIONS	THIRD ANGLE PROJECTION	SHEET NUMBER
		DRAWING A3-SIZE	3 OF 3
		SERIES 172709	
		MATERIAL NUMBER SEE TABLE	
		CUSTOMER GENERAL MARKET	

molex

SD-DRAWING OF MINI FIT SIGMA TPA

PRODUCT CUSTOMER DRAWING

9

8

7

6

5

4

3

2

1

FORMAT: master-b-prod-A3
REVISION: 11
DATE: 2021/05/01