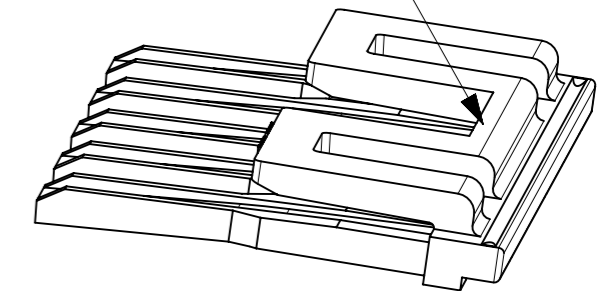
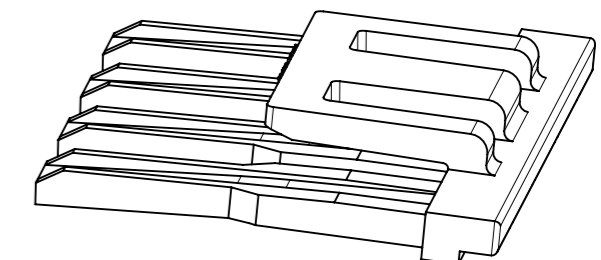


PART NO.	CIRCUIT	DIM A
172709-2001	1	9.58
172709-2002	2	9.58
172709-2003	3	13.78
172709-2004	4	17.98
172709-2005	5	22.20
172709-2006	6	26.40
172709-2007	7	30.60
172709-2008	8	34.80
172709-2009	9	39.00

BRIDGE SPECIFY FOR 5-9CKT



PROFILE FOR 5-9CKT

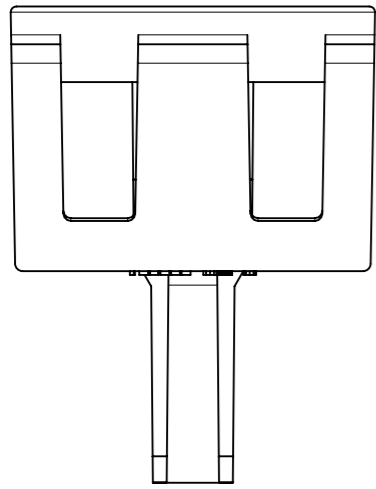


PROFILE FOR 1-4CKT

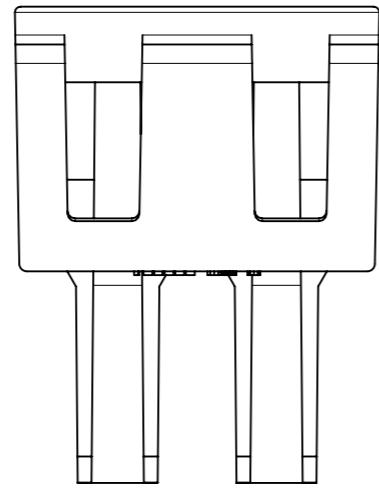
NOTES:

- 1.MATERIAL: NYLON UL 94V-0,GLOW WIRE CAPABLE PER IEC 60335-1,NATURAL
- 2.PARTS TO BE PACKAGED PER 1727090002-PK
- 3.PRODUCT SPECIFICATION 2131370000-PS , 2029880002-PS
- 4.APPLICATION SPECIFICATION : 2131370000-AS
- 5.APPEARANCE APPLICATION SPECIFICATION : 1727090000-AS
- 6.REFER TO AS-45499-001 FOR MOISTURIZING NYLON CONNECTOR PARTS
- 7.PART USED WITH MOLEX SERIES :
 RECEPTACLE HOUSING 172708-1***, 200453-1***;
 PLUG HOUSING 172762-1***,172767-3***,200471-1***,200488-2***;
- 8.PART CONFORMS TO CLASS "B" REQUIREMENTS OF SPECIFICATION PS-45499-0002

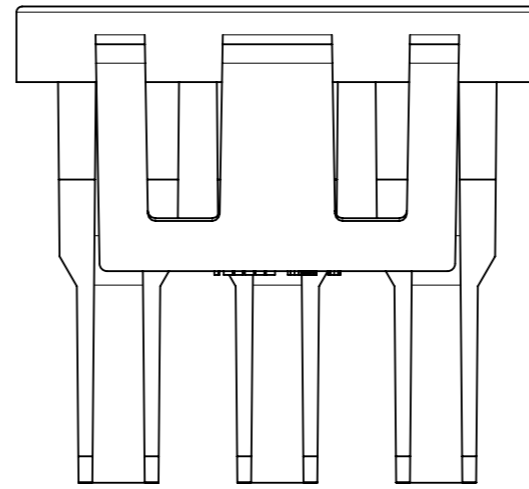
FUNCTIONAL SYMBOLS ▽A = 0 ▽E = 0 ▽F = 0	THIS DRAWING CONTAINS INFORMATION THAT IS PROPRIETARY TO MOLEX ELECTRONIC TECHNOLOGIES, LLC AND SHOULD NOT BE USED WITHOUT WRITTEN PERMISSION		CURRENT REV DESC:		
	mm	5:1	EC NO: 688090		
DIVISIONAL SYMBOLS	GENERAL TOLERANCES (UNLESS SPECIFIED)		DRWN: HPAN18		SD-DRAWING OF MINI FIT SIGMA TPA
	ANGULAR TOL ± °		2021/12/08		
	4 PLACES ±		CHK'D: XQZHANG		PRODUCT CUSTOMER DRAWING
	3 PLACES ±		APPR: XQZHANG		
	2 PLACES ± 0.25		INITIAL REVISION:		DOCUMENT NUMBER
	1 PLACE ±		DRWN: ALU002		
	0 PLACES ±		APPR: AYIN		DOC TYPE
DRAFT WHERE APPLICABLE MUST REMAIN WITHIN DIMENSIONS		THIRD ANGLE PROJECTION	DRAWING	SERIES	
			A3-SIZE	172709	REVISION
					PSD
					000
					D3
					SHEET NUMBER
					1 OF 3



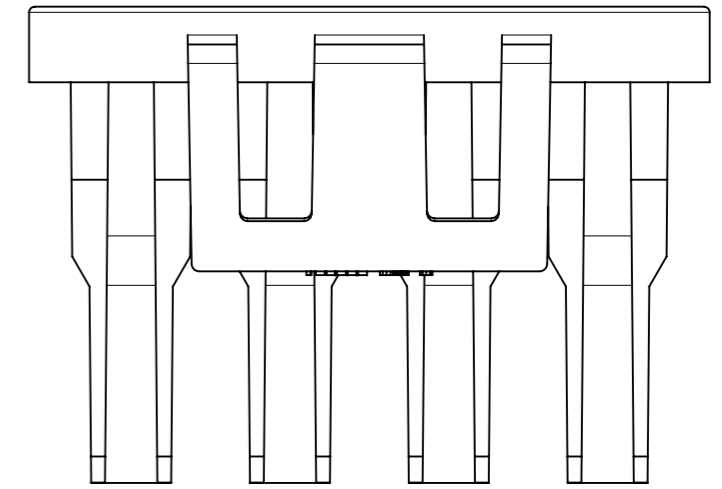
1 CKT



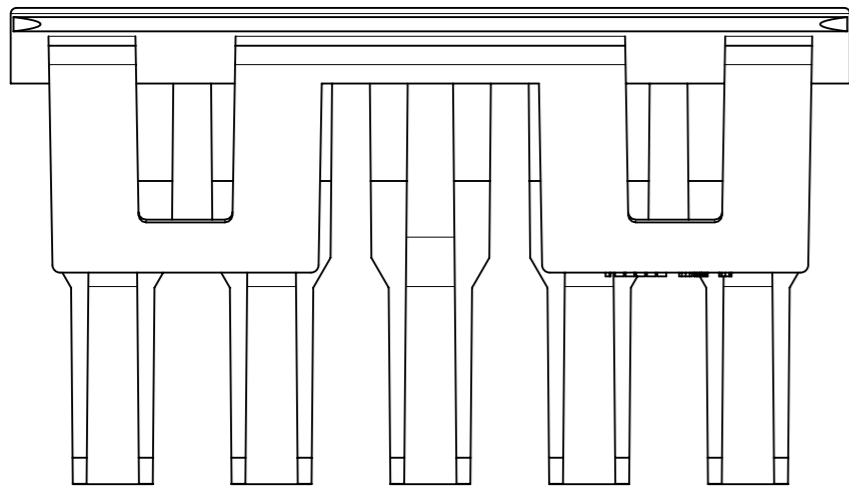
2 CKT



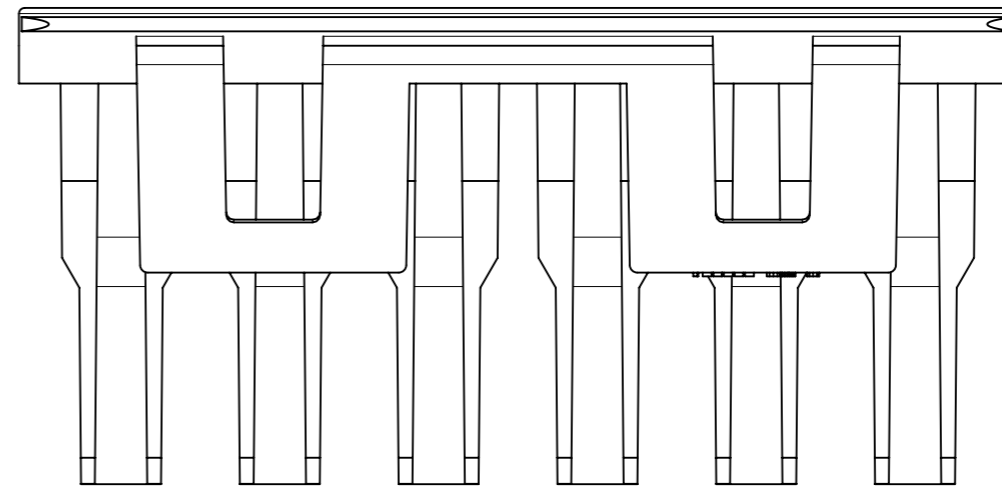
3 CKT



4 CKT



5 CKT



6 CKT

FUNCTIONAL SYMBOLS $\nabla_A = 0$ $\nabla_B = 0$ $\nabla_C = 0$	THIS DRAWING CONTAINS INFORMATION THAT IS PROPRIETARY TO MOLEX ELECTRONIC TECHNOLOGIES, LLC AND SHOULD NOT BE USED WITHOUT WRITTEN PERMISSION DIMENSION UNITS: mm SCALE: 1:1	CURRENT REV DESC: EC NO: 688090 DRWN: HPAN18 CHK'D: XQZHANG APPR: XQZHANG		 SD-DRAWING OF MINI FIT SIGMA TPA			
	GENERAL TOLERANCES (UNLESS SPECIFIED) ANGULAR TOL: \pm ° 4 PLACES: \pm 3 PLACES: \pm 2 PLACES: \pm 0.25 1 PLACE: \pm 0 PLACES: \pm	INITIAL REVISION: DRWN: ALU002 APPR: AYIN	2021/12/08 2021/12/28 2021/12/28				PRODUCT CUSTOMER DRAWING
DIVISIONAL SYMBOLS DRAFT WHERE APPLICABLE MUST REMAIN WITHIN DIMENSIONS	THIRD ANGLE PROJECTION 	DRAWING: A3-SIZE	SERIES: 172709	DOCUMENT NUMBER: 1727090002-SD	DOC TYPE: PSD	DOC PART: 000	REVISION: D3
MATERIAL NUMBER: SEE TABLE		CUSTOMER: GENERAL MARKET		SHEET NUMBER: 2 OF 3			

10

9

8

7

6

5

4

3

2

1

F

F

E

E

D

D

C

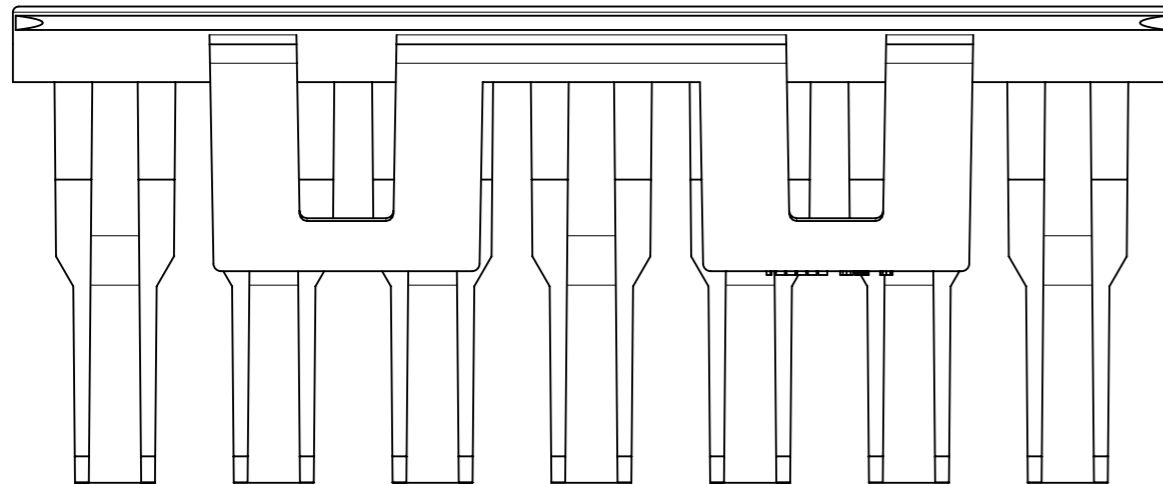
C

B

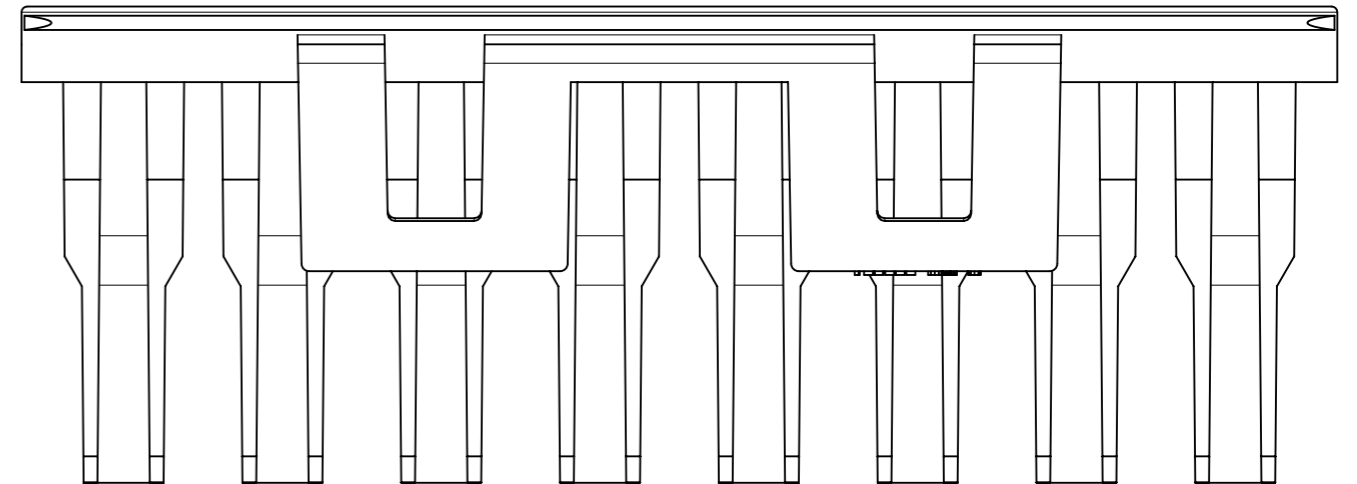
B

A

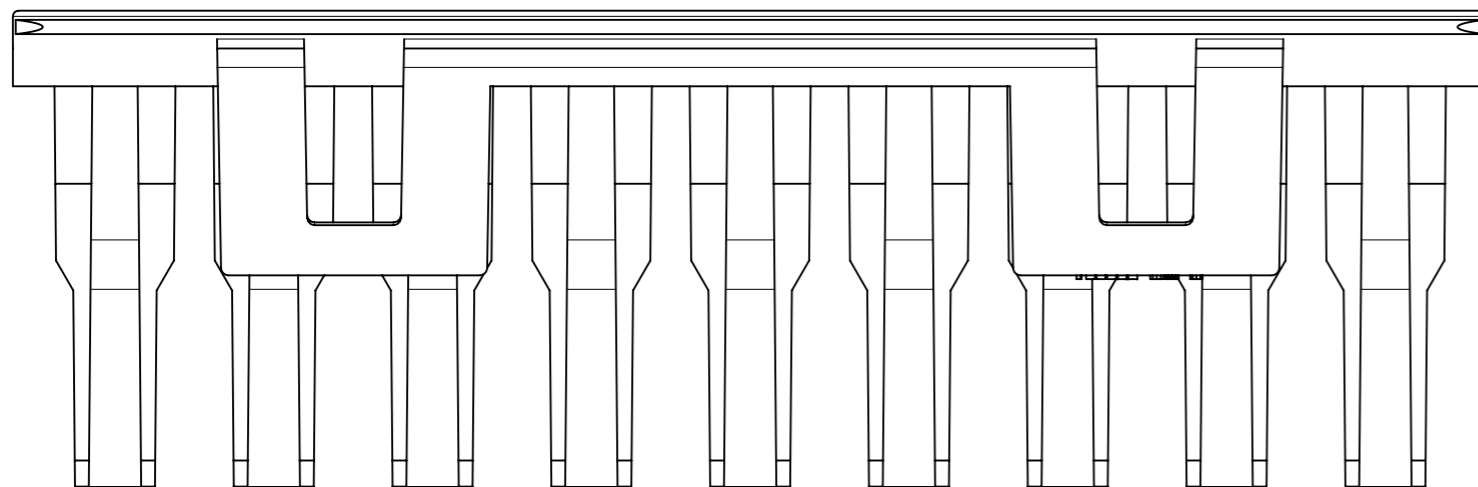
A



7 CKT



8 CKT



9 CKT

FUNCTIONAL SYMBOLS	THIS DRAWING CONTAINS INFORMATION THAT IS PROPRIETARY TO MOLEX ELECTRONIC TECHNOLOGIES, LLC AND SHOULD NOT BE USED WITHOUT WRITTEN PERMISSION		
	△/A = 0	mm	SCALE 5:1
DIVISIONAL SYMBOLS	△/E = 0	GENERAL TOLERANCES (UNLESS SPECIFIED)	
	△/V = 0	ANGULAR TOL ± °	
DIVISIONAL SYMBOLS	4 PLACES ±	CURRENT REV DESC:	
	3 PLACES ±	EC NO: 688090	2021/12/08
	2 PLACES ± 0.25	DRWN: HPAN18	2021/12/28
	1 PLACE ±	CHK'D: XQZHANG	2021/12/28
	0 PLACES ±	APPR: XQZHANG	2021/12/28
DRAFT WHERE APPLICABLE MUST REMAIN WITHIN DIMENSIONS		THIRD ANGLE PROJECTION	DRAWING
		⊕	A3-SIZE
		SERIES	172709
		MATERIAL NUMBER	SEE TABLE
		CUSTOMER	GENERAL MARKET
		DOCUMENT NUMBER	1727090002-SD
		DOC TYPE	PSD
		DOC PART	000
		REVISION	D3
		SHEET NUMBER	3 OF 3

DOCUMENT STATUS	P1	RELEASE DATE	2021/12/28	01:32:50
-----------------	----	--------------	------------	----------

9

8

7

6

5

4

3

2

1

FORMAT: master-b-prod-A3

REVISION: 11

DATE: 2021/05/01