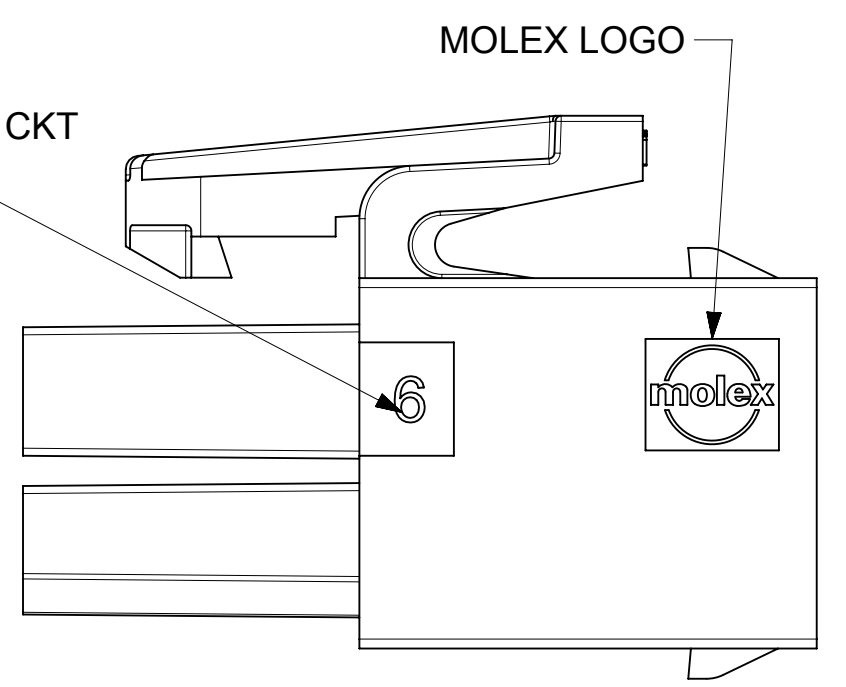
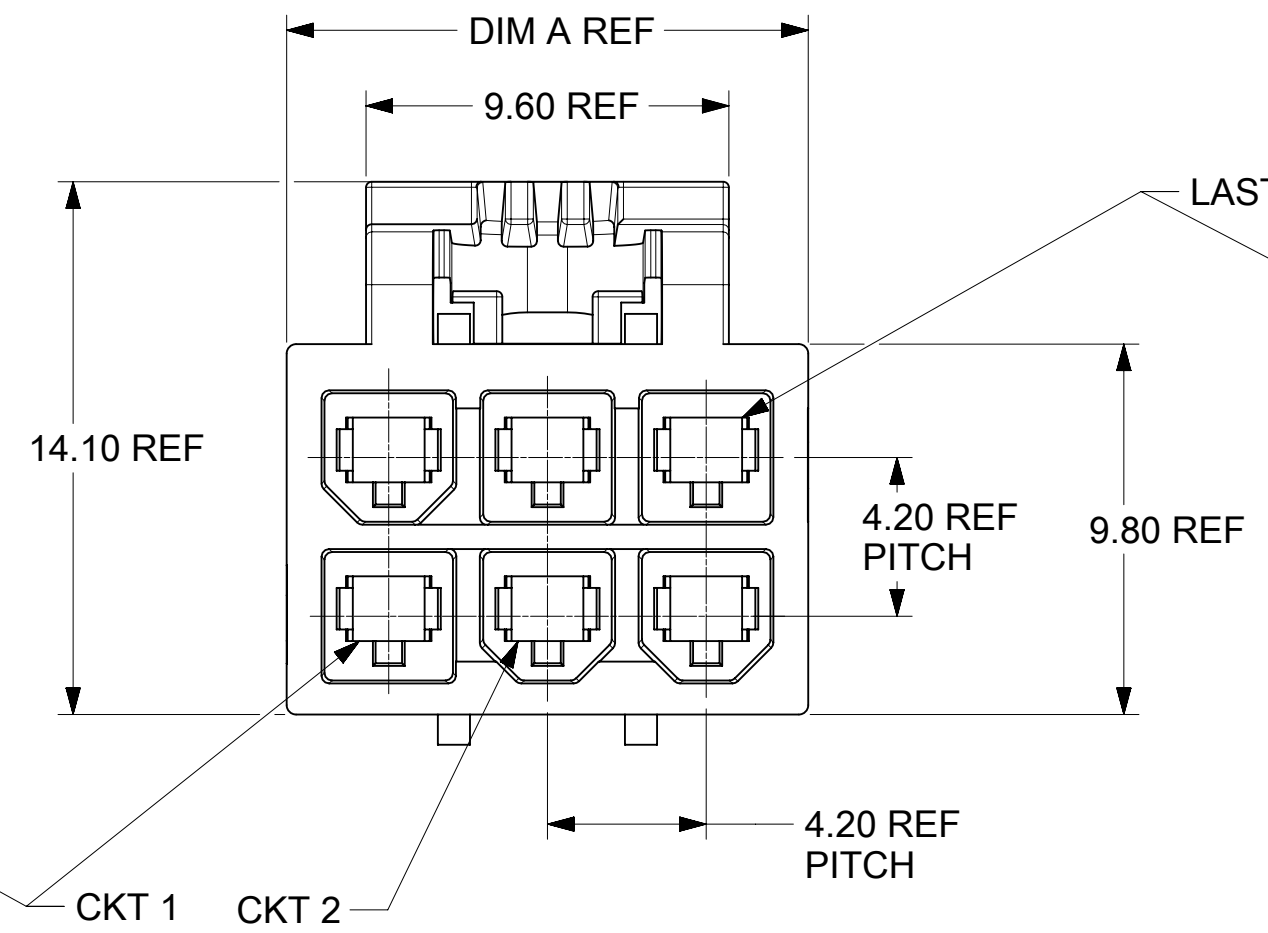
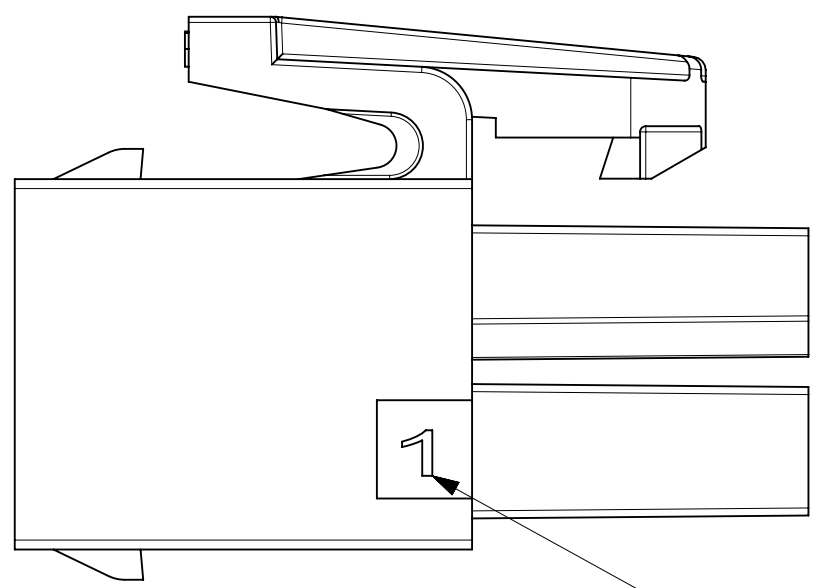
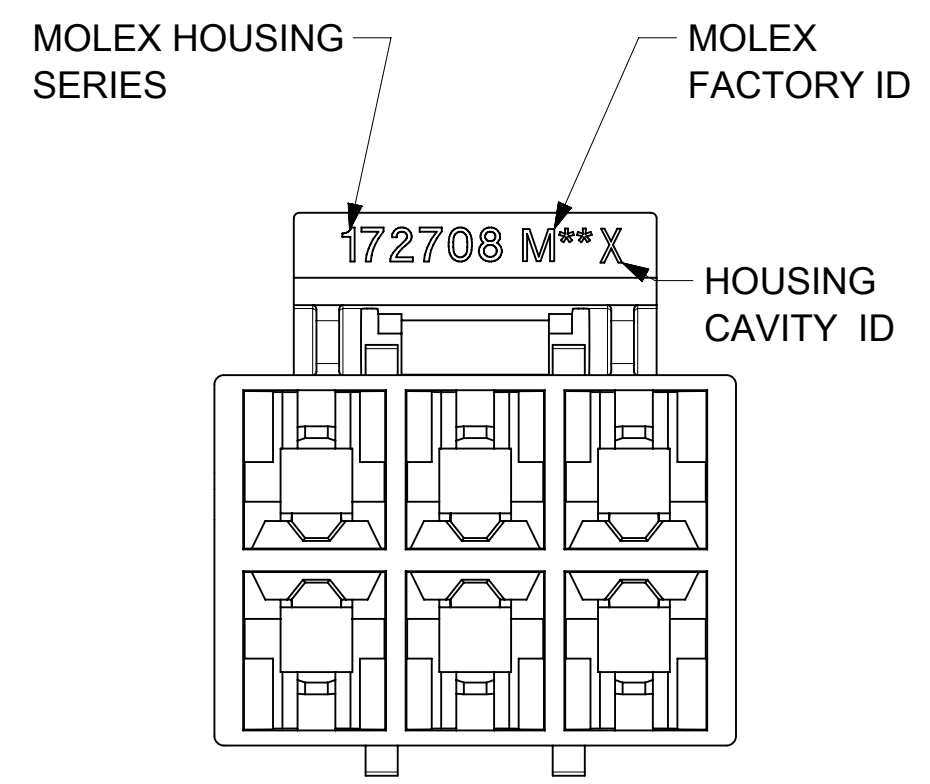
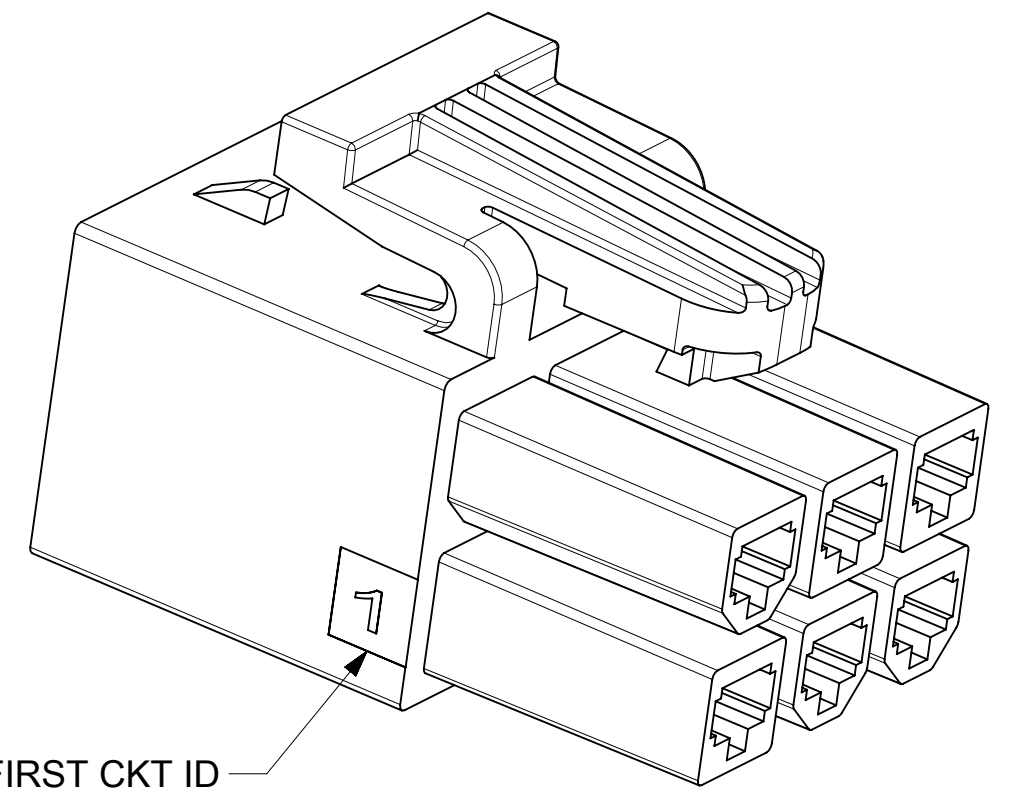
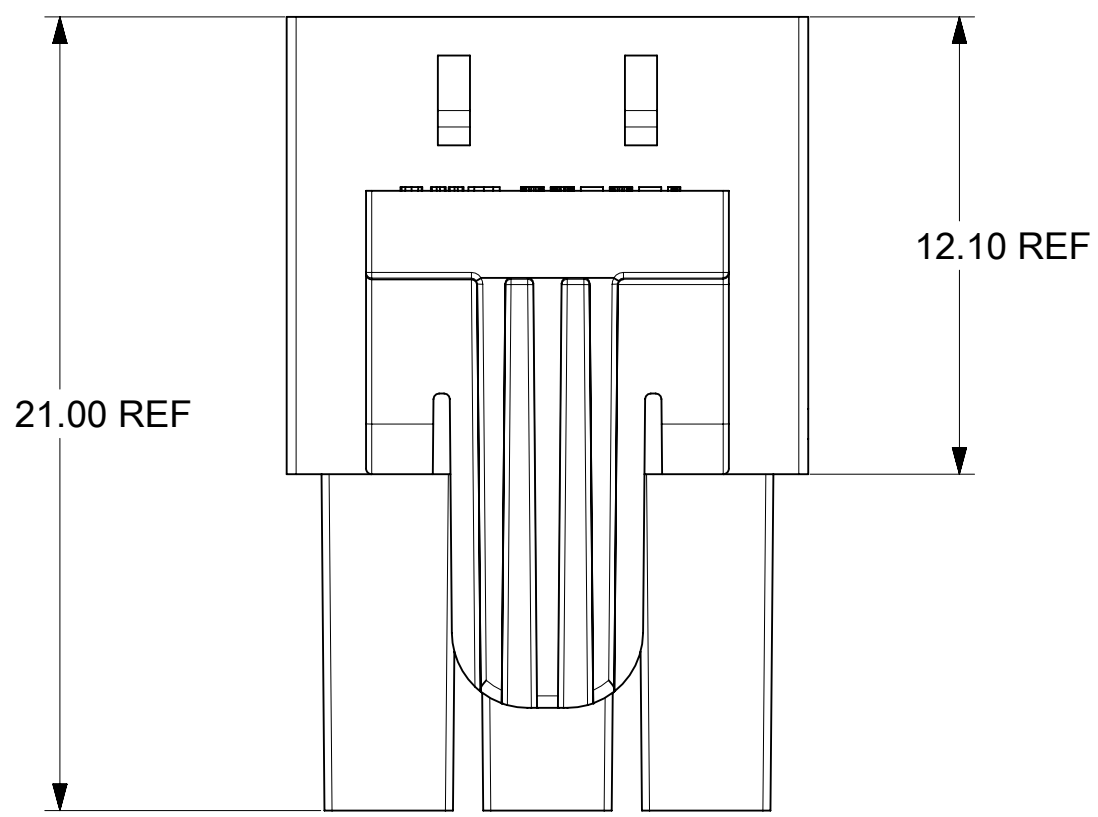


PART NUMBER	CKTS	DIM A
172708-1002	2	9.60
172708-1004	4	9.60
172708-1006	6	13.80
172708-1008	8	18.00
172708-1010	10	22.20
172708-1012	12	26.40
172708-1014	14	30.60
172708-1016	16	34.80
172708-1018	18	39.00



- NOTES:**
- MATERIAL: NYLON, UL 94V-0 AND GLOW WIRE CAPABLE PER IEC60335-1; COLOR: BLACK
  - FINISH: NONE
  - PRODUCT SPECIFICATION: 2131370000-PS, 2029880002-PS  
APPLICATION SPECIFICATION: 2131370000-AS
  - PACKAGING SPECIFICATION: BULK 1727080002-PK  
REFER TO AS-45499-001 FOR MOISTURIZING NYLON CONNECTOR PARTS.
  - THIS PART TO BE USED WITH MOLEX SERIES.  
FEMALE TERMINAL SERIES: 172718, 202988  
TPA SERIES: 172709-2\*\*\*.
  - THIS PART MATES WITH MOLEX SERIES.  
PLUG HOUSING SERIES: 172762-0\*\*\*, 172762-1\*\*\*, 172767  
HDR SERIES: 35318, 44130, 87427, 172448, 46991, 5569, 5566, 35317, 43460, 87427, 172447 AND 46207.
  - THIS PART CONFORMS TO CLASS 'B' REQUIREMENTS OF COSMETIC SPECIFICATION PS-45499-002.

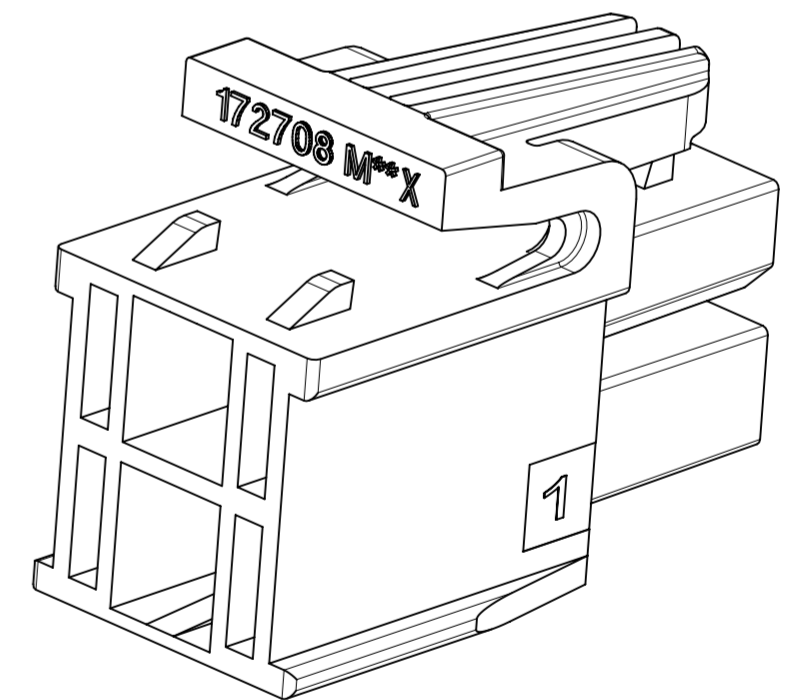
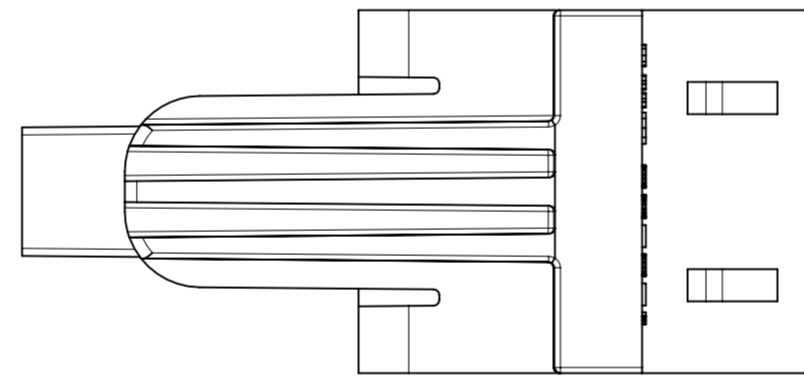
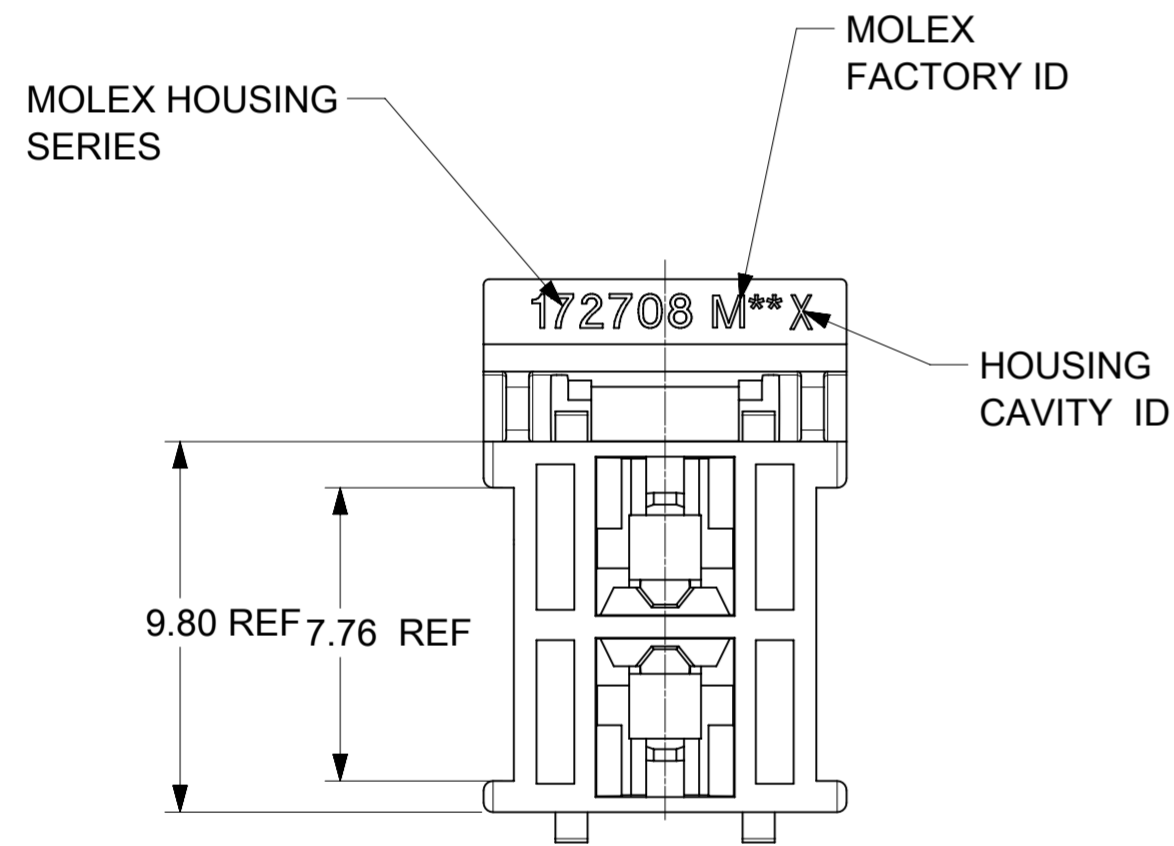
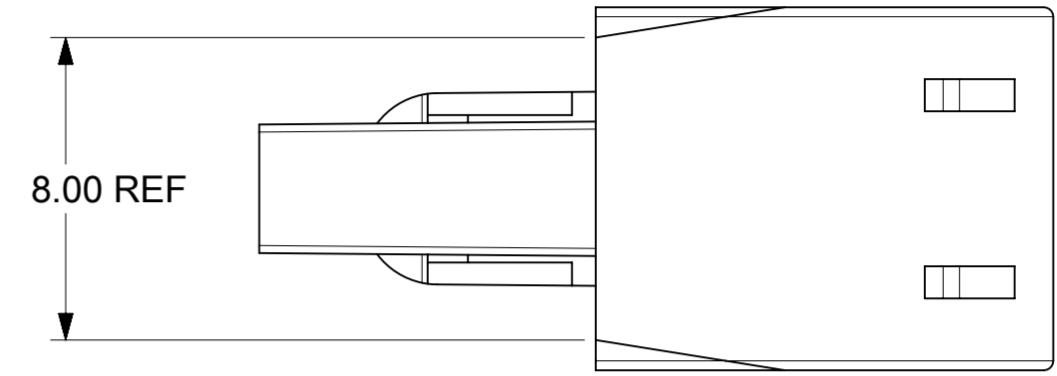
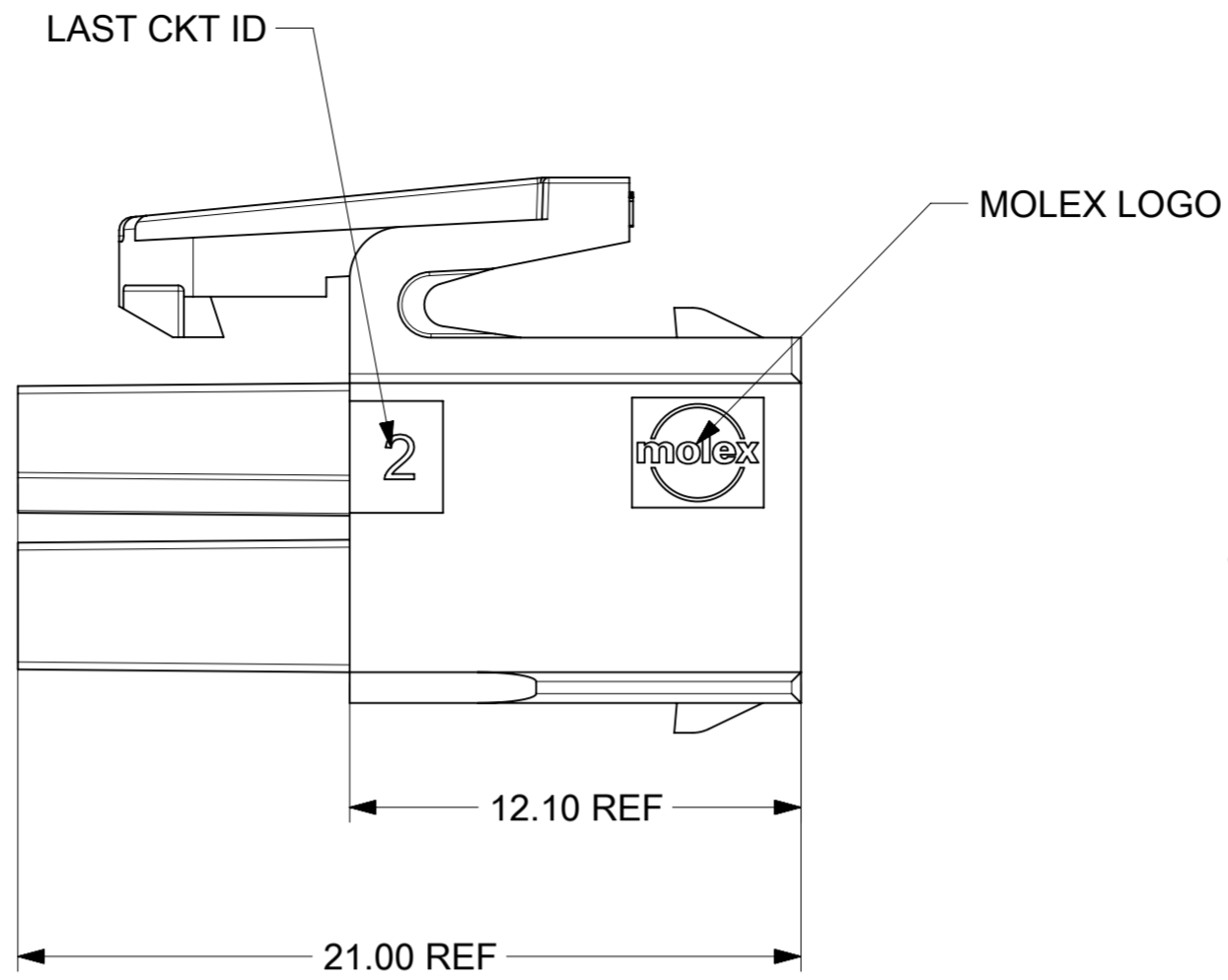
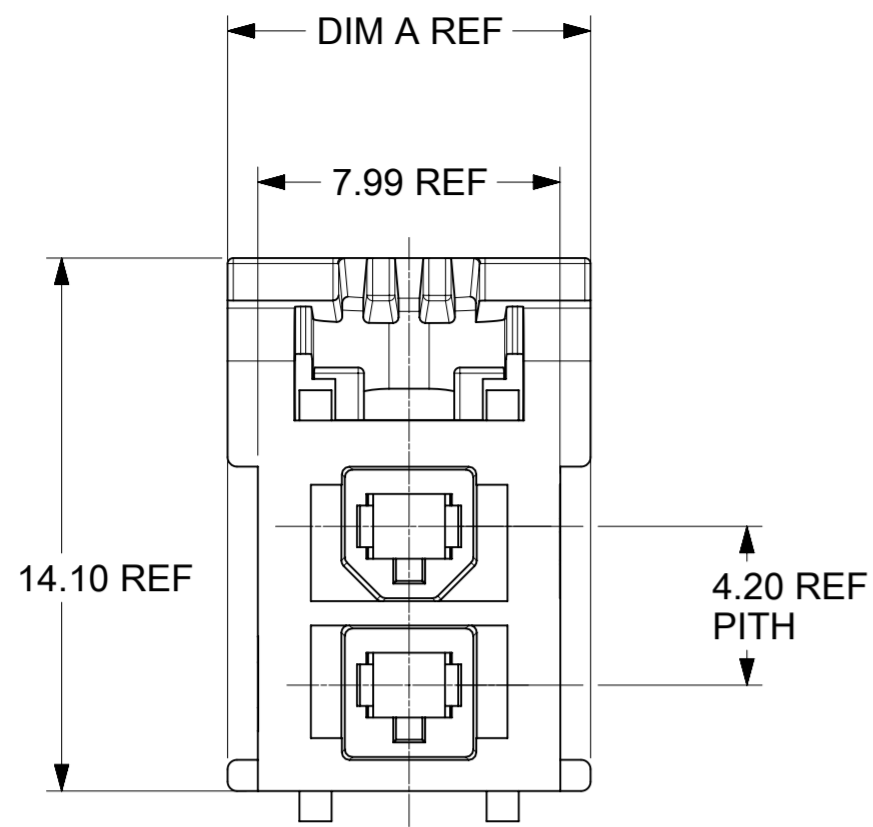
THIS DRAWING CONTAINS INFORMATION THAT IS PROPRIETARY TO MOLEX ELECTRONIC TECHNOLOGIES, LLC AND SHOULD NOT BE USED WITHOUT WRITTEN PERMISSION			
DIMENSION UNITS	SCALE	CURRENT REV DESC:	
mm	NTS		
GENERAL TOLERANCES (UNLESS SPECIFIED)			
ANGULAR TOL	± °		
4 PLACES	±	EC NO: 768511	
3 PLACES	±	DRWN: JERRYW8	2023/11/02
2 PLACES	± 0.25	CHK'D: XQZHANG	2023/11/15
1 PLACE	±	APPR: XQZHANG	2023/11/15
0 PLACES	±	INITIAL REVISION:	
DRAFT WHERE APPLICABLE MUST REMAIN WITHIN DIMENSIONS		DRWN: ALUO02	2019/06/20
THIRD ANGLE PROJECTION		APPR: AYIN	2019/06/24
DRAWING		SERIES	
C-SIZE		172708	
MATERIAL NUMBER		CUSTOMER	SHEET NUMBER
SEE TABLE		GENERAL MARKET	1 OF 4

**molex**

SD-DRAWING OF MINI-FIT SIGMA REC HOUSING

PRODUCT CUSTOMER DRAWING

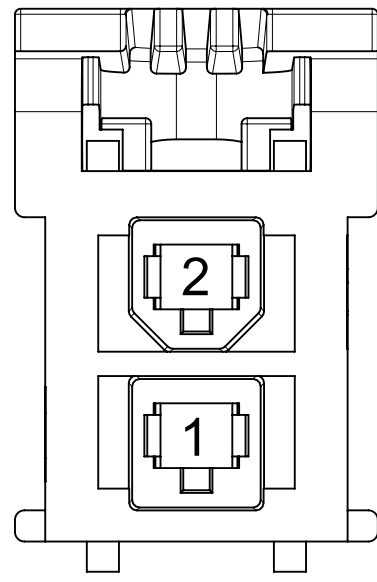
DOCUMENT NUMBER	DOC TYPE	DOC PART	REVISION
1727080002-SD	PSD	000	C6



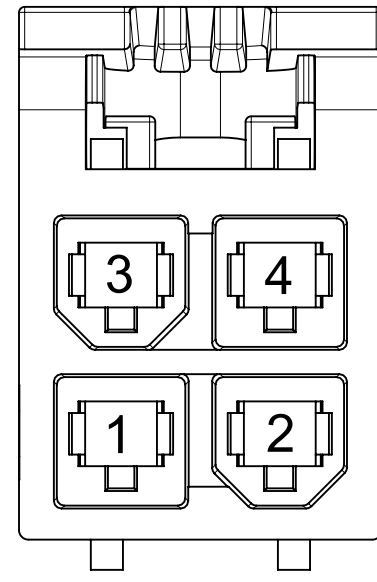
THIS DRAWING CONTAINS INFORMATION THAT IS PROPRIETARY TO MOLEX ELECTRONIC TECHNOLOGIES, LLC AND SHOULD NOT BE USED WITHOUT WRITTEN PERMISSION										
DIMENSION UNITS	SCALE	CURRENT REV DESC:				<b>molex</b>				
mm	NTS									
GENERAL TOLERANCES (UNLESS SPECIFIED)						SD-DRAWING OF MINI-FIT SIGMA REC HOUSING				
ANGULAR TOL	± °	EC NO: 768511				PRODUCT CUSTOMER DRAWING				
4 PLACES	±	DRWN: JERRYW8		2023/11/02						
3 PLACES	±	CHK'D: XQZHANG		2023/11/15						
2 PLACES	± 0.25	APPR: XQZHANG		2023/11/15						
1 PLACE	±	INITIAL REVISION:				DOCUMENT NUMBER				
0 PLACES	±	DRWN: ALU002		2019/06/20		1727080002-SD		DOC TYPE	DOC PART	REVISION
DRAFT WHERE APPLICABLE MUST REMAIN WITHIN DIMENSIONS		THIRD ANGLE PROJECTION		DRAWING	SERIES	MATERIAL NUMBER	CUSTOMER	SHEET NUMBER		
				A2-SIZE	172708	SEE TABLE	GENERAL MARKET	2 OF 4		

DOCUMENT STATUS	P1	RELEASE DATE	2023/11/15	09:48:28
-----------------	----	--------------	------------	----------

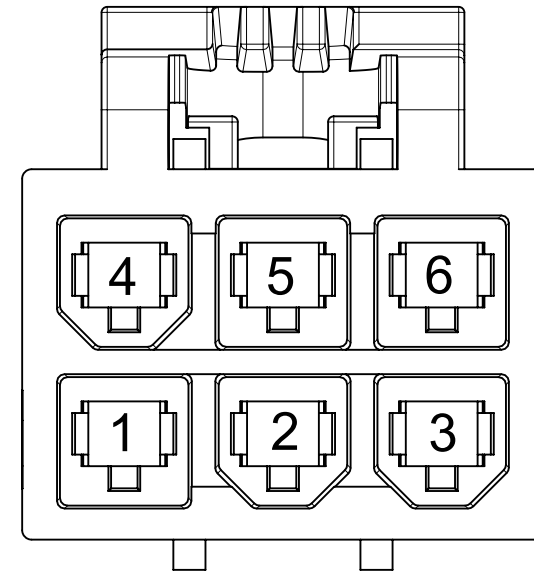
# POLARIZATION DETAIL



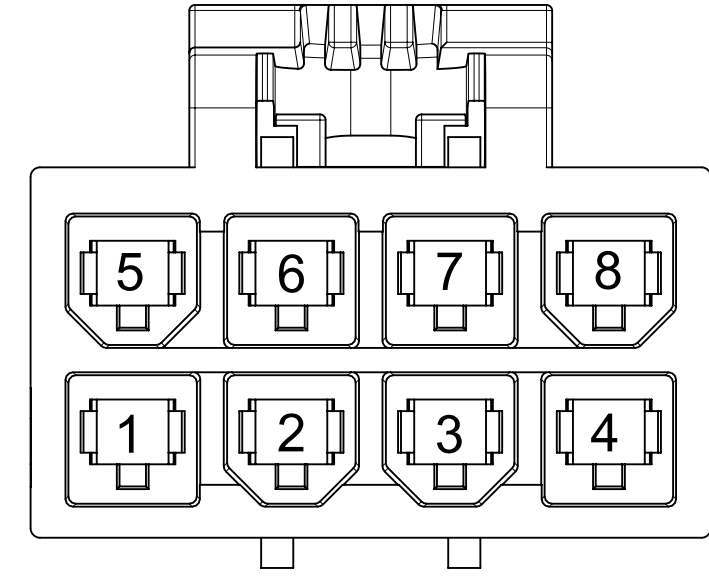
2 CKT



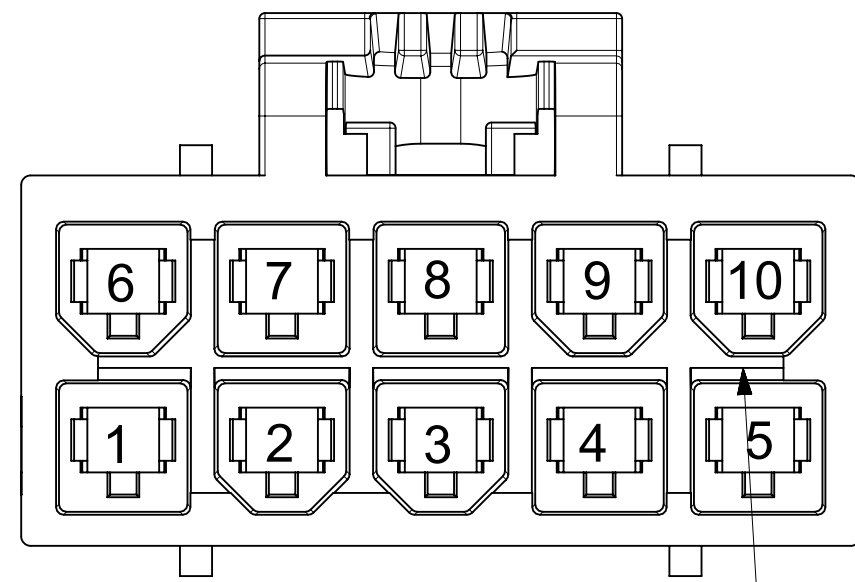
4 CKT



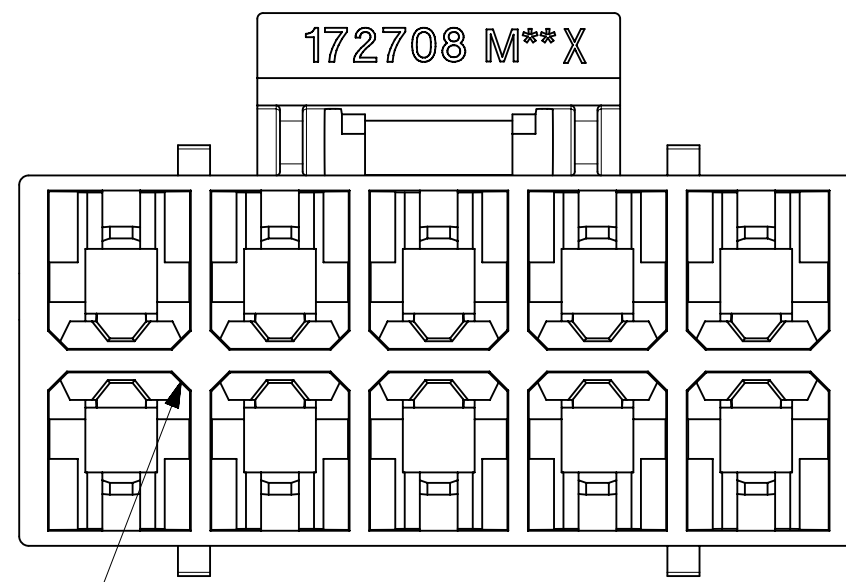
6 CKT



8 CKT

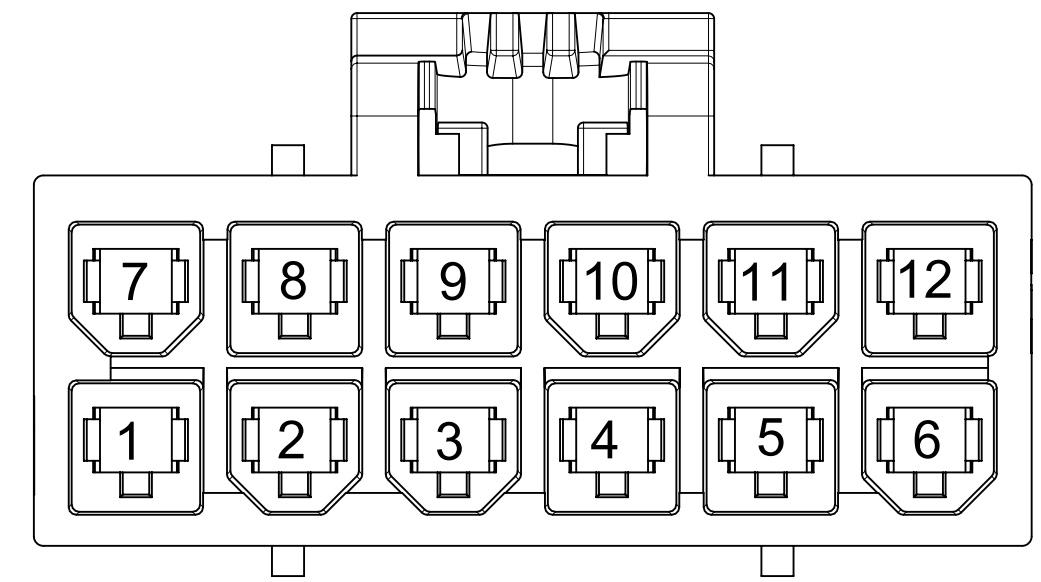


10 CKT



CHAMFER FOR 10-18CKT ONLY

CORE OUT FETURE AT THE BASE OF TOWERS FOR 10-14 CKTS DIFFERS FROM 2-8CKTS

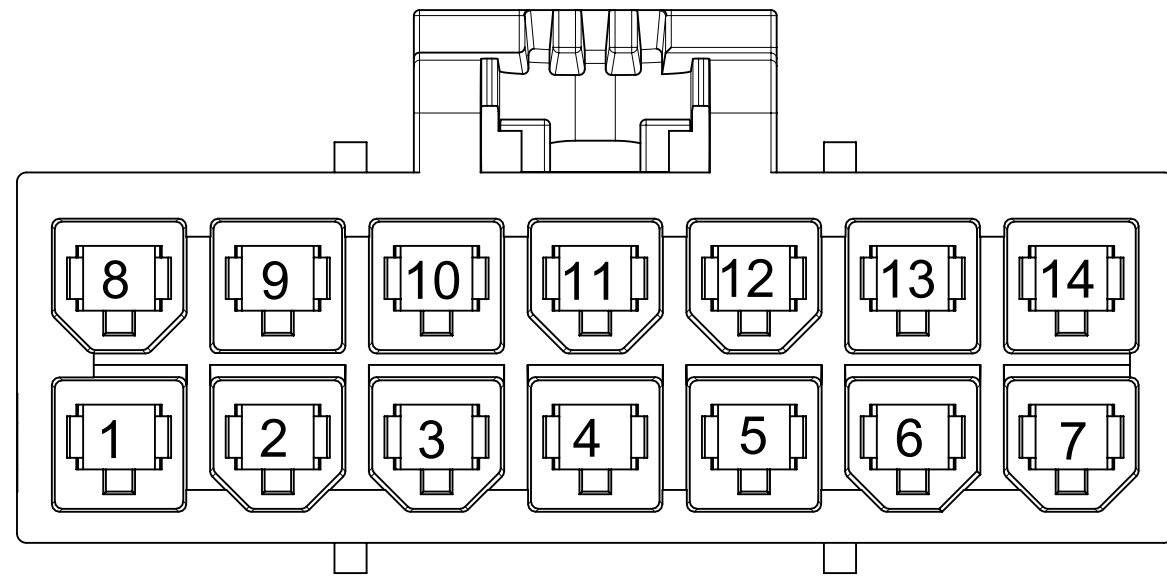


12 CKT

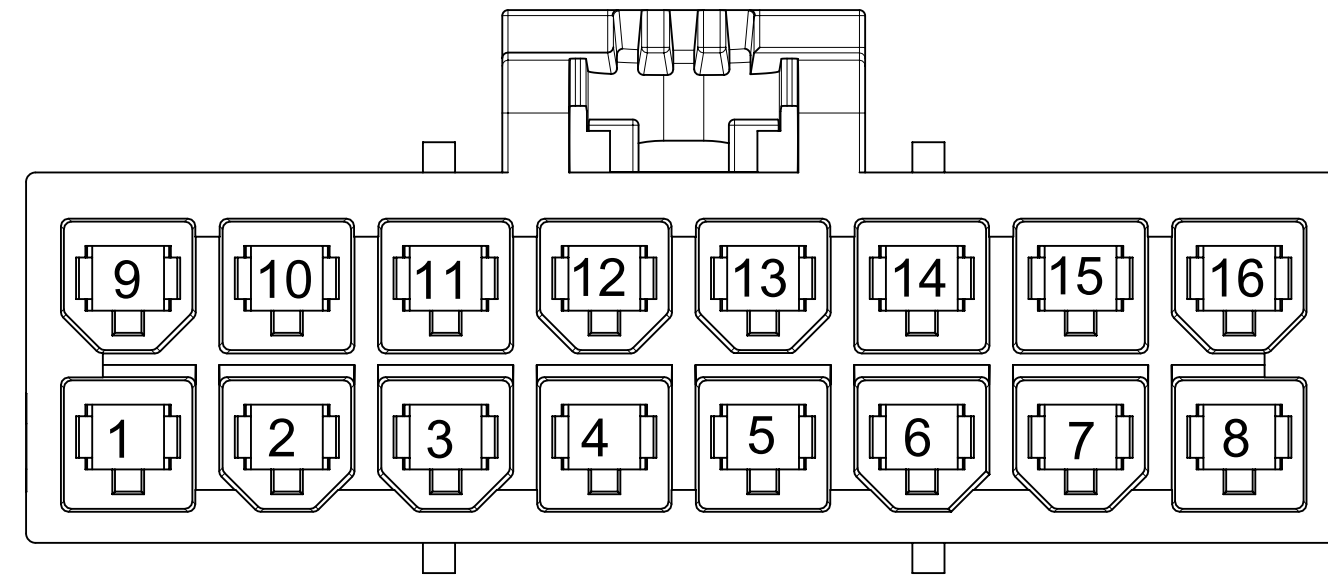
172708 M\*\*X

THIS DRAWING CONTAINS INFORMATION THAT IS PROPRIETARY TO MOLEX ELECTRONIC TECHNOLOGIES, LLC AND SHOULD NOT BE USED WITHOUT WRITTEN PERMISSION									
DIMENSION UNITS		SCALE		CURRENT REV DESC:				<b>molex</b>	
mm		NTS							
GENERAL TOLERANCES (UNLESS SPECIFIED)				EC NO: 768511				SD-DRAWING OF MINI-FIT SIGMA REC HOUSING	
ANGULAR TOL ± °				DRWN: JERRYW8 2023/11/02				PRODUCT CUSTOMER DRAWING	
4 PLACES ±				CHK'D: XQZHANG 2023/11/15				DOCUMENT NUMBER	
3 PLACES ±				APPR: XQZHANG 2023/11/15				1727080002-SD	
2 PLACES ± 0.25				INITIAL REVISION:				DOC TYPE	
1 PLACE ±				DRWN: ALUO02 2019/06/20				PSD	
0 PLACES ±				APPR: AYIN 2019/06/24				DOC PART	
DRAFT WHERE APPLICABLE MUST REMAIN WITHIN DIMENSIONS				THIRD ANGLE PROJECTION		DRAWING		REVISION	
				C-SIZE		SERIES		SHEET NUMBER	
				172708		MATERIAL NUMBER		GENERAL MARKET	
				SEE TABLE		CUSTOMER		3 OF 4	

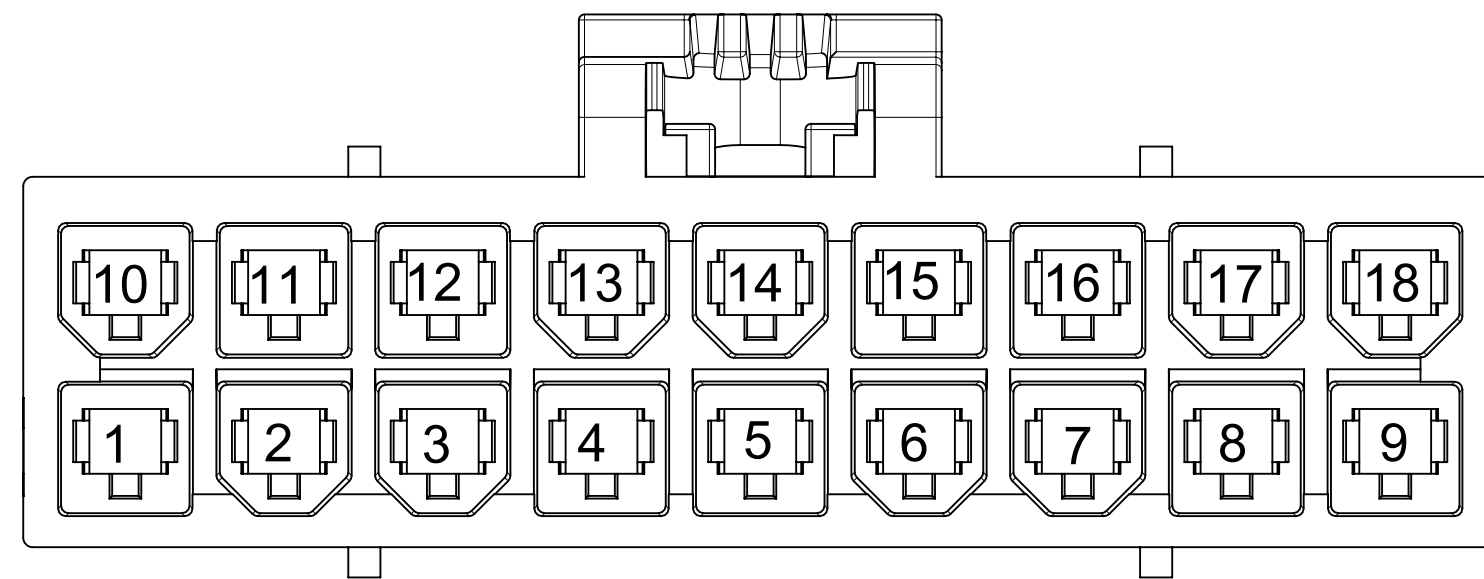
# POLARIZATION DETAIL



14 CKT



16 CKT



18 CKT

THIS DRAWING CONTAINS INFORMATION THAT IS PROPRIETARY TO MOLEX ELECTRONIC TECHNOLOGIES, LLC AND SHOULD NOT BE USED WITHOUT WRITTEN PERMISSION													
DIMENSION UNITS		SCALE		CURRENT REV DESC:				<b>molex</b>					
mm		NTS											
GENERAL TOLERANCES (UNLESS SPECIFIED)				EC NO: 768511 DRWN: JERRYW8 2023/11/02 CHK'D: XQZHANG 2023/11/15 APPR: XQZHANG 2023/11/15 INITIAL REVISION: DRWN: ALUO02 2019/06/20 APPR: AYIN 2019/06/24				SD-DRAWING OF MINI-FIT SIGMA REC HOUSING					
ANGULAR TOL ± °								PRODUCT CUSTOMER DRAWING					
4 PLACES ±								DOCUMENT NUMBER		DOC TYPE		DOC PART	
3 PLACES ±								1727080002-SD		PSD		000	
2 PLACES ± 0.25												C6	
1 PLACE ±				MATERIAL NUMBER		CUSTOMER		SHEET NUMBER					
0 PLACES ±				SEE TABLE		GENERAL MARKET		4 OF 4					
DRAFT WHERE APPLICABLE MUST REMAIN WITHIN DIMENSIONS				THIRD ANGLE PROJECTION		DRAWING		SERIES					
						C-SIZE		172708					

DOCUMENT STATUS	P1	RELEASE DATE	2023/11/15	09:48:28
-----------------	----	--------------	------------	----------