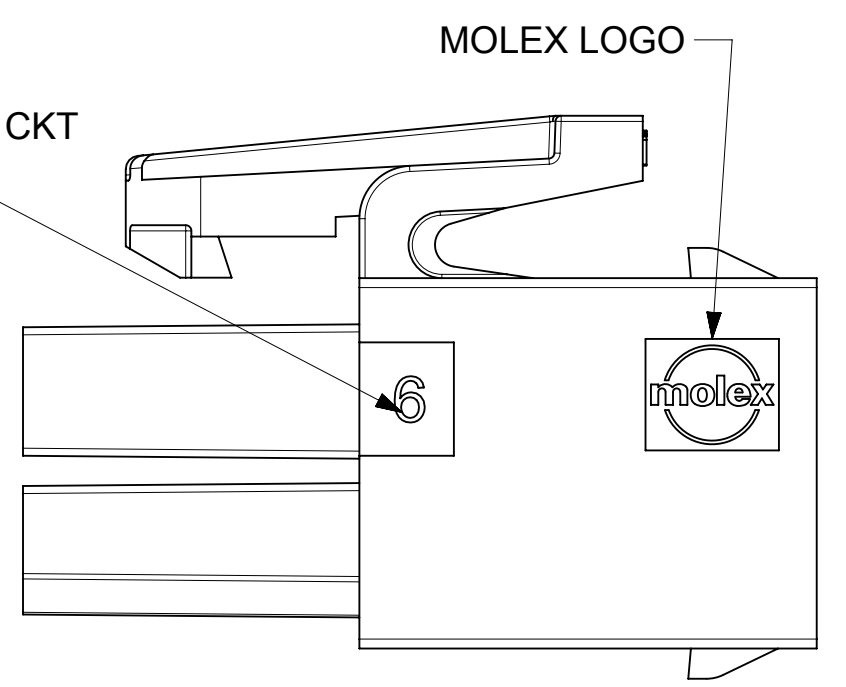
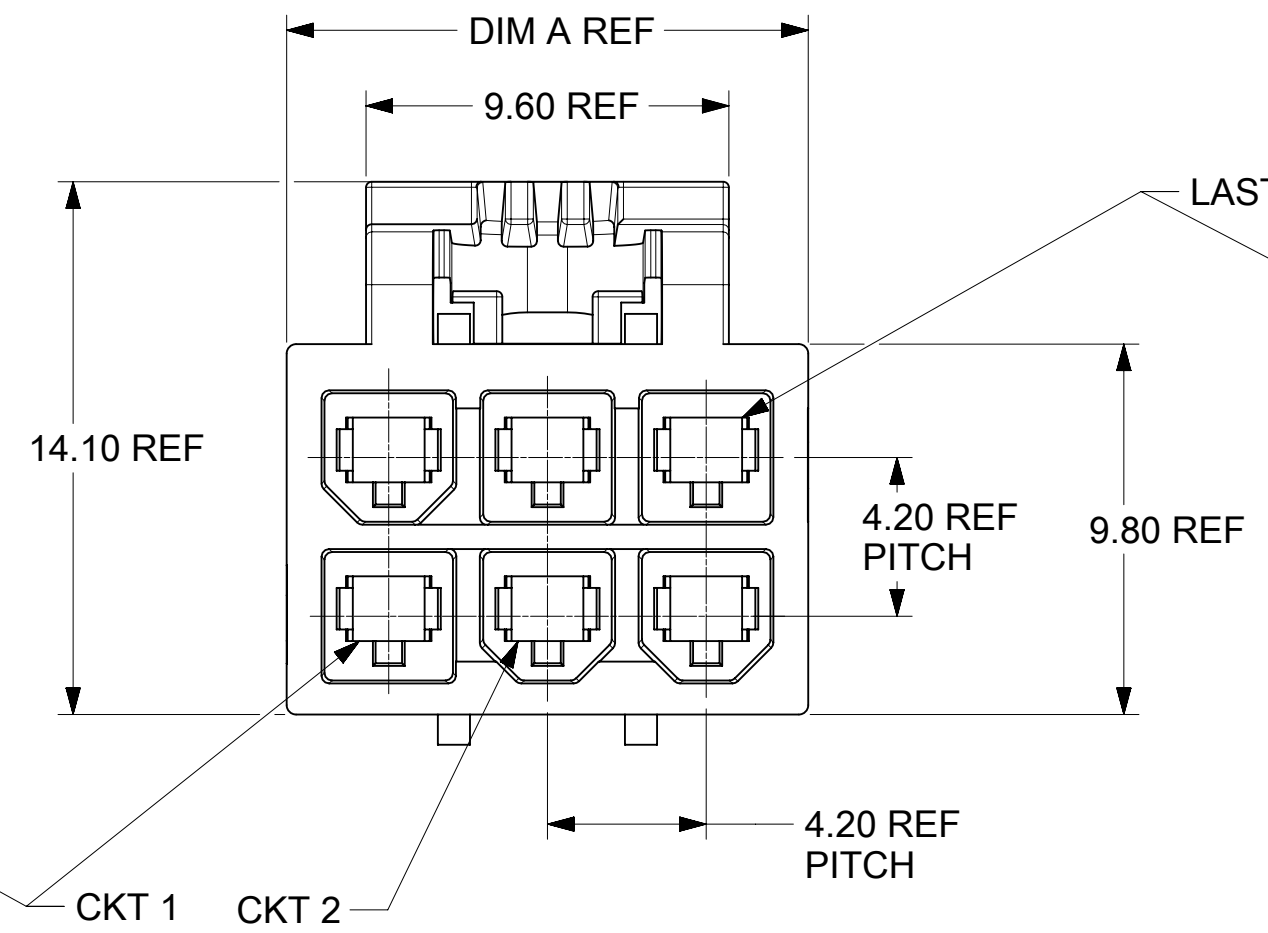
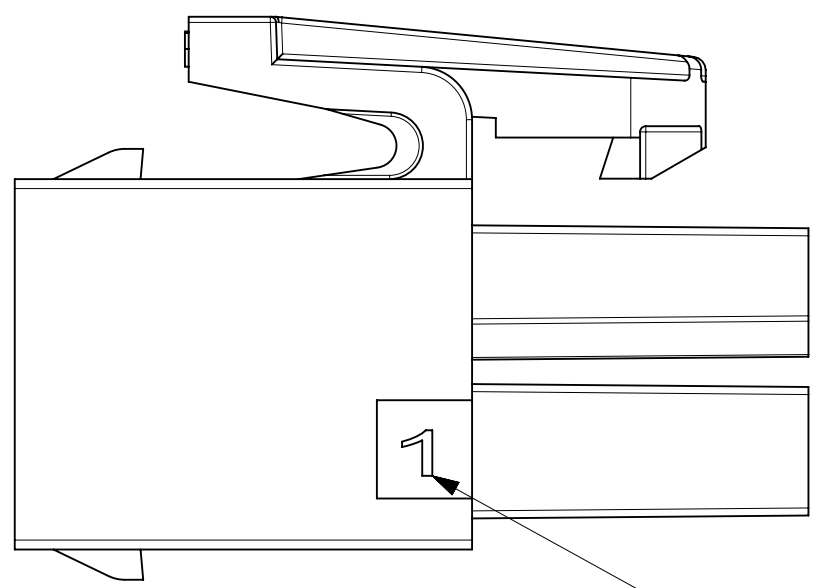
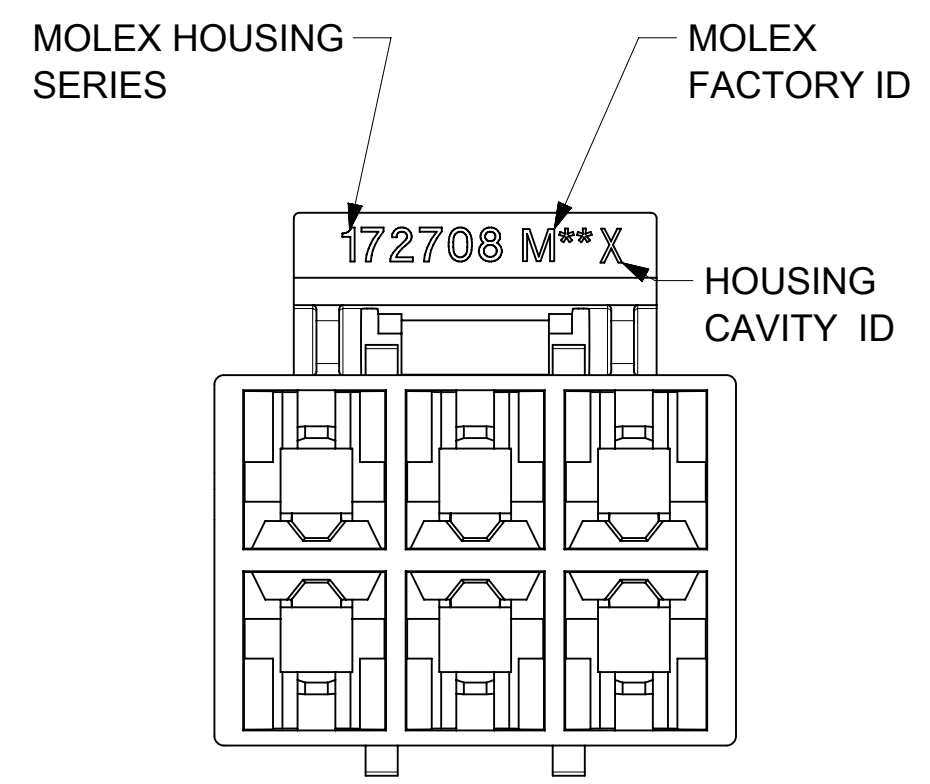
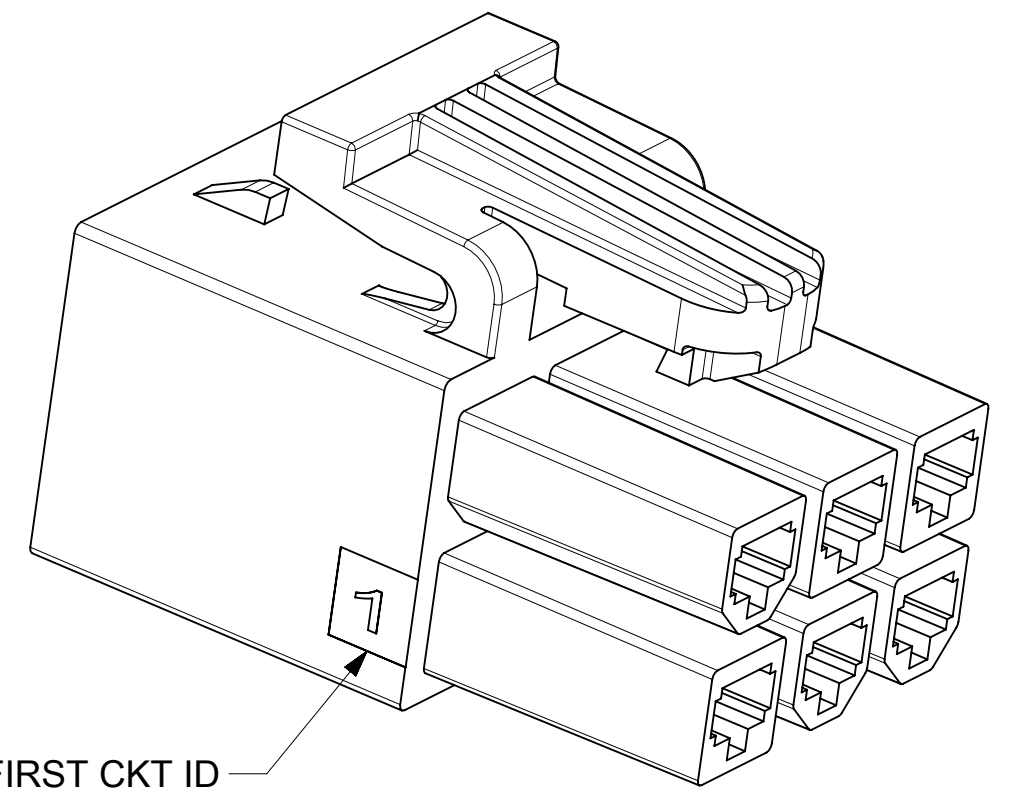
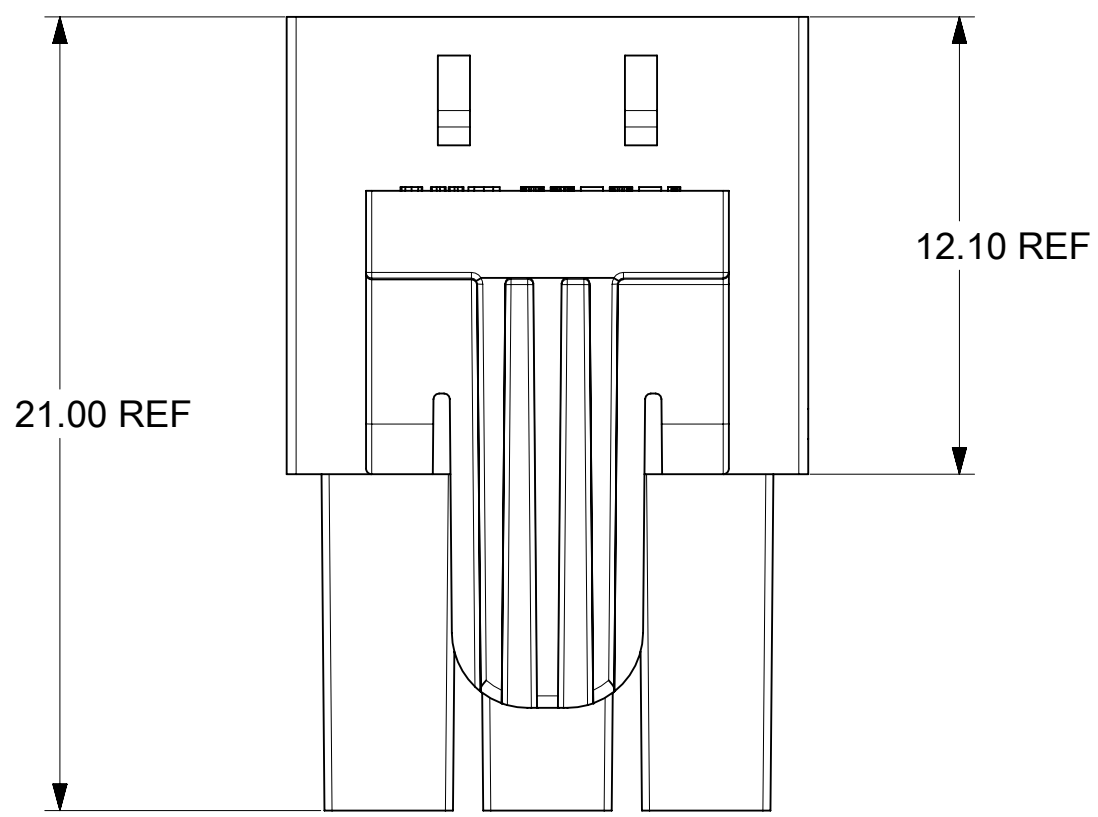


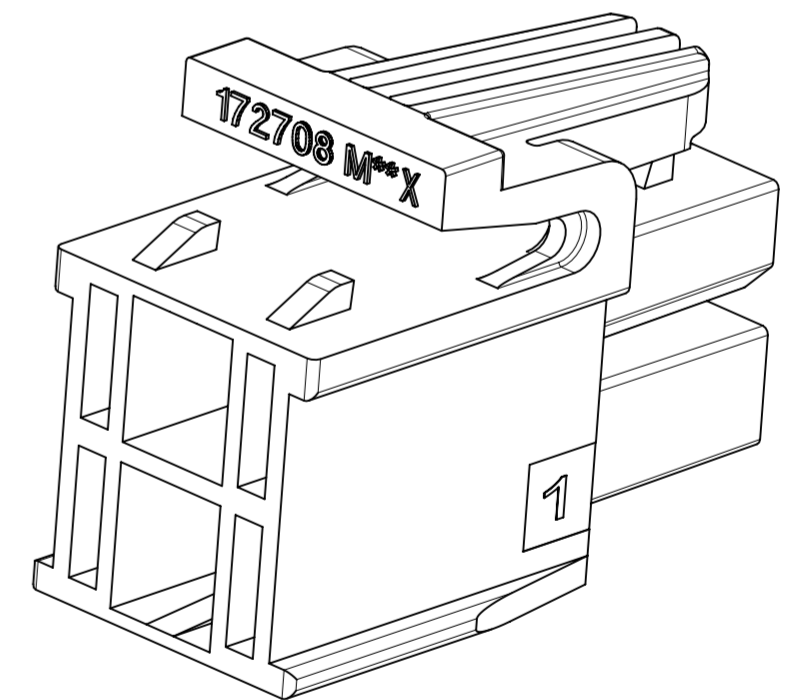
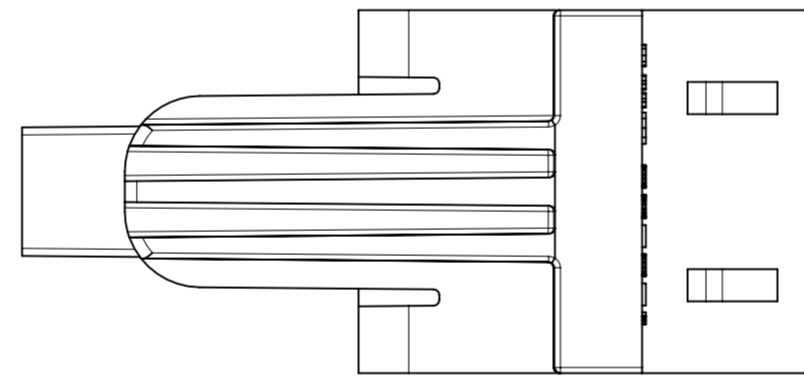
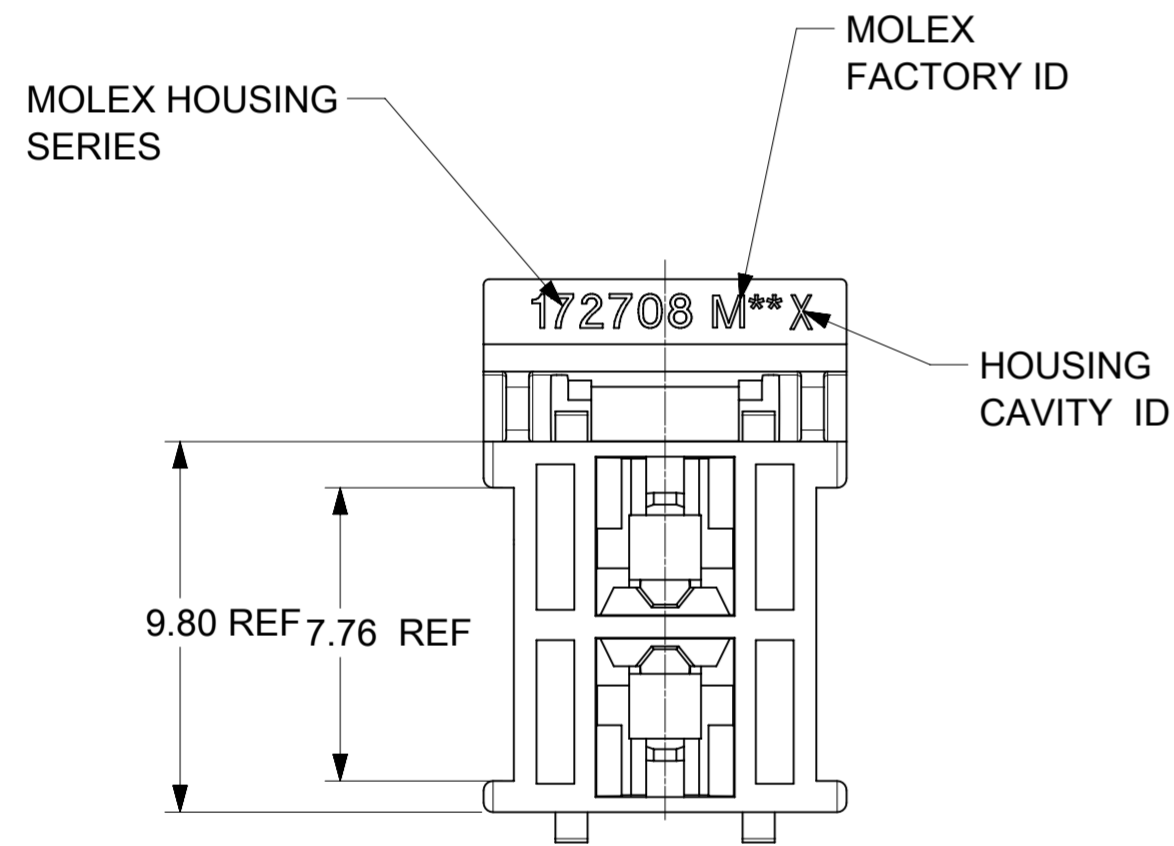
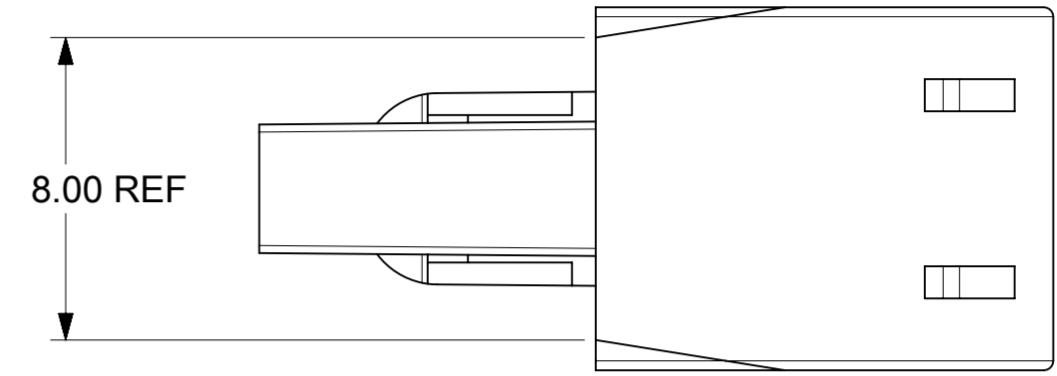
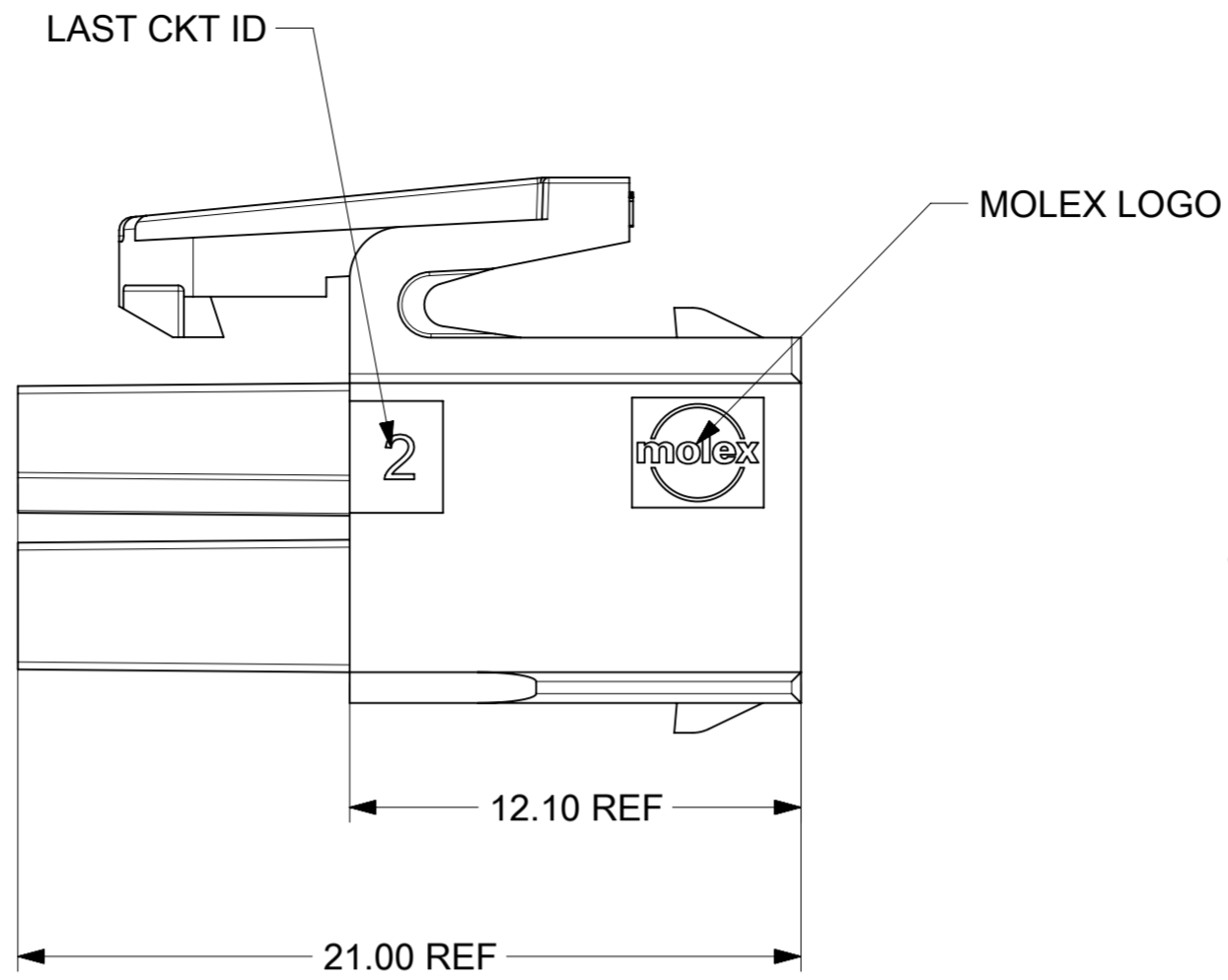
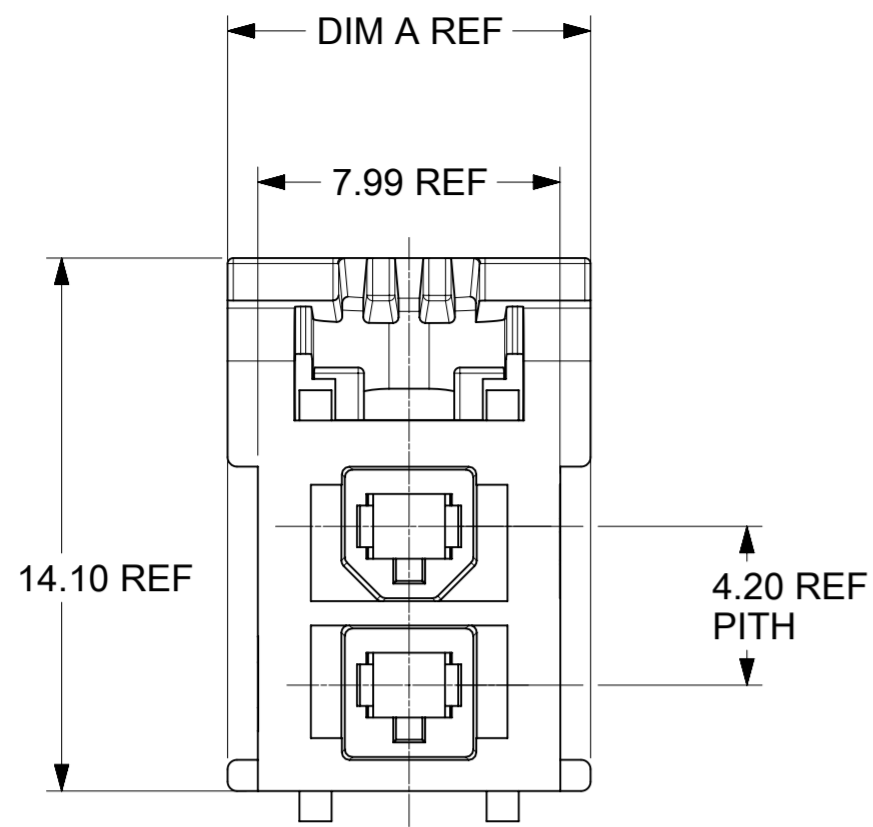
PART NUMBER	CKTS	DIM A
172708-1002	2	9.60
172708-1004	4	9.60
172708-1006	6	13.80
172708-1008	8	18.00
172708-1010	10	22.20
172708-1012	12	26.40
172708-1014	14	30.60
172708-1016	16	34.80
172708-1018	18	39.00



- NOTES:**
1. MATERIAL:
NYLON, UL 94V-0 AND GLOW WIRE CAPABLE PER IEC60335-1; COLOR: BLACK
 2. FINISH: NONE
 3. PRODUCT SPECIFICATION: 2131370000-PS, 2029880002-PS
APPLICATION SPECIFICATION: 2131370000-AS
 4. PACKAGING SPECIFICATION: BULK 1727080002-PK
REFER TO AS-45499-001 FOR MOISTURIZING NYLON CONNECTOR PARTS.
 5. THIS PART TO BE USED WITH MOLEX SERIES.
FEMALE TERMINAL SERIES: 172718, 202988
TPA SERIES: 172709-2***.
 6. THIS PART MATES WITH MOLEX SERIES.
PLUG HOUSING SERIES: 172762-0***, 172762-1***, 172767
HDR SERIES: 35318, 44130, 87427, 172448, 46991, 5569, 5566, 35317, 43460, 87427, 172447 AND 46207.
 7. THIS PART CONFORMS TO CLASS 'B' REQUIREMENTS OF COSMETIC SPECIFICATION PS-45499-002.

THIS DRAWING CONTAINS INFORMATION THAT IS PROPRIETARY TO MOLEX ELECTRONIC TECHNOLOGIES, LLC AND SHOULD NOT BE USED WITHOUT WRITTEN PERMISSION											
DIMENSION UNITS		SCALE		CURRENT REV DESC:				molex			
mm		NTS									
GENERAL TOLERANCES (UNLESS SPECIFIED)				EC NO: 768511				SD-DRAWING OF MINI-FIT SIGMA REC HOUSING			
ANGULAR TOL ± °				DRWN: JERRYW8				2023/11/02			
4 PLACES ±				CHK'D: XQZHANG				2023/11/15			
3 PLACES ±				APPR: XQZHANG				2023/11/15			
2 PLACES ± 0.25				INITIAL REVISION:				PRODUCT CUSTOMER DRAWING			
1 PLACE ±				DRWN: ALUO02				DOCUMENT NUMBER			
0 PLACES ±				APPR: AYIN				1727080002-SD			
DRAFT WHERE APPLICABLE MUST REMAIN WITHIN DIMENSIONS				THIRD ANGLE PROJECTION		DRAWING		SERIES		MATERIAL NUMBER	
				C-SIZE		172708		CUSTOMER		SHEET NUMBER	
								GENERAL MARKET		1 OF 4	
								PSD		000 C6	

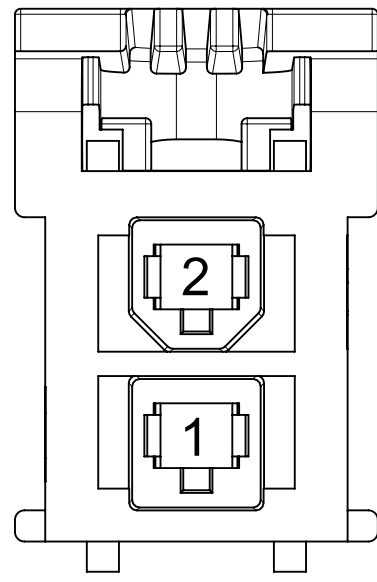
DOCUMENT STATUS	P1	RELEASE DATE	2023/11/15 09:48:28



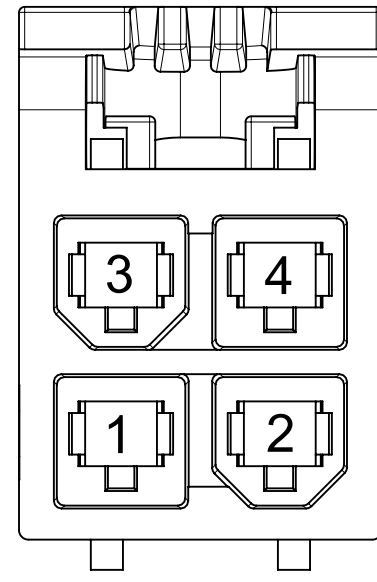
THIS DRAWING CONTAINS INFORMATION THAT IS PROPRIETARY TO MOLEX ELECTRONIC TECHNOLOGIES, LLC AND SHOULD NOT BE USED WITHOUT WRITTEN PERMISSION										
DIMENSION UNITS	SCALE	CURRENT REV DESC:				molex				
mm	NTS									
GENERAL TOLERANCES (UNLESS SPECIFIED)						SD-DRAWING OF MINI-FIT SIGMA REC HOUSING				
ANGULAR TOL	± °					PRODUCT CUSTOMER DRAWING				
4 PLACES	±	EC NO: 768511		2023/11/02		DOCUMENT NUMBER				
3 PLACES	±	DRWN: JERRYW8		2023/11/15		1727080002-SD		DOC TYPE	DOC PART	REVISION
2 PLACES	± 0.25	CHK'D: XQZHANG		2023/11/15				PSD	000	C6
1 PLACE	±	INITIAL REVISION:				MATERIAL NUMBER				
0 PLACES	±	DRWN: ALU002		2019/06/20		SEE TABLE		CUSTOMER		SHEET NUMBER
DRAFT WHERE APPLICABLE MUST REMAIN WITHIN DIMENSIONS		THIRD ANGLE PROJECTION		DRAWING	SERIES	GENERAL MARKET		2 OF 4		
				A2-SIZE	172708					

DOCUMENT STATUS	P1	RELEASE DATE	2023/11/15	09:48:28
-----------------	----	--------------	------------	----------

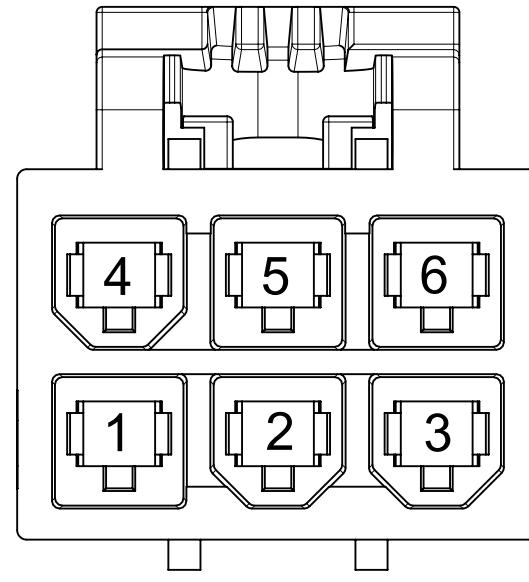
POLARIZATION DETAIL



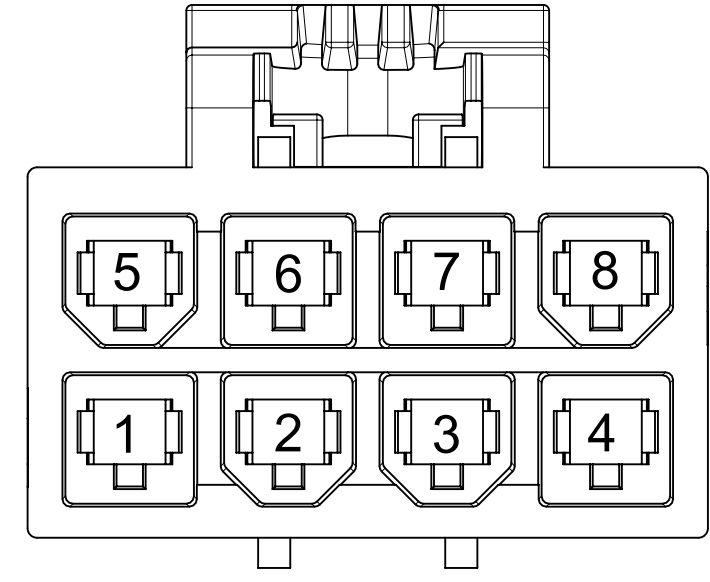
2 CKT



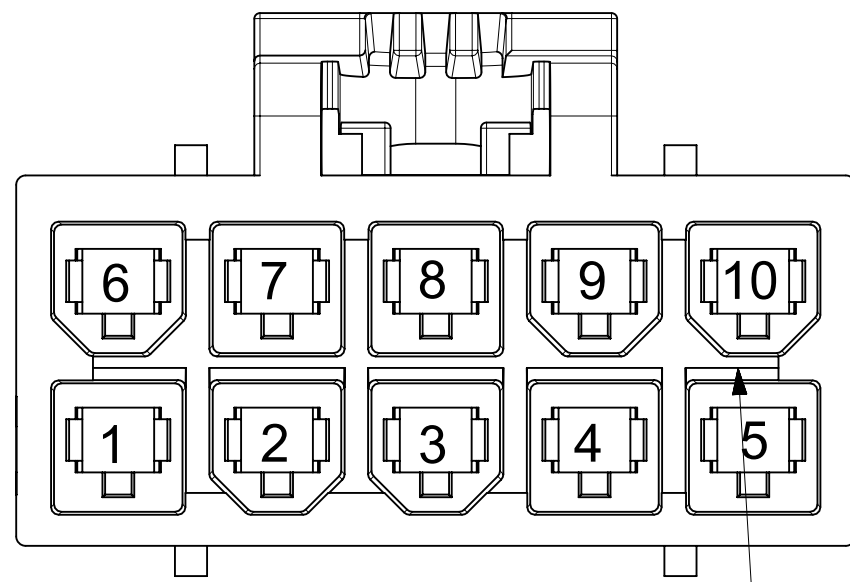
4 CKT



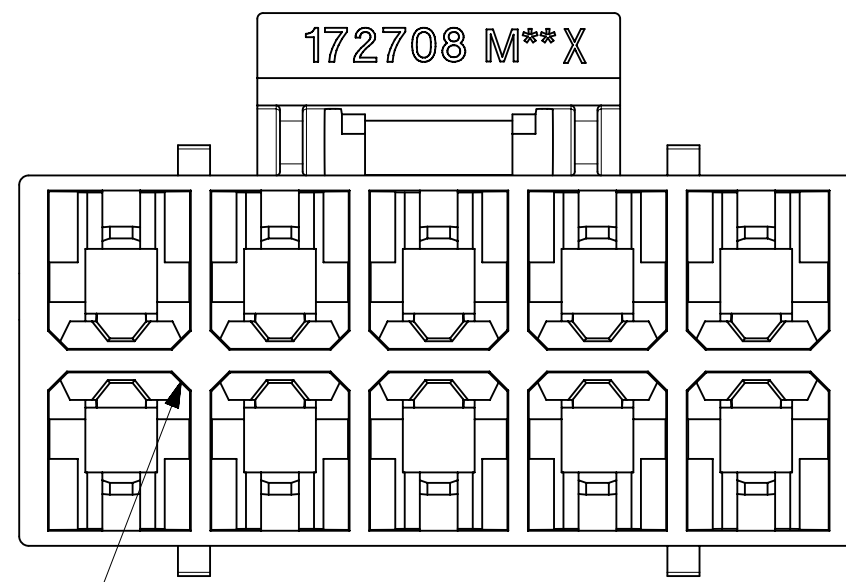
6 CKT



8 CKT

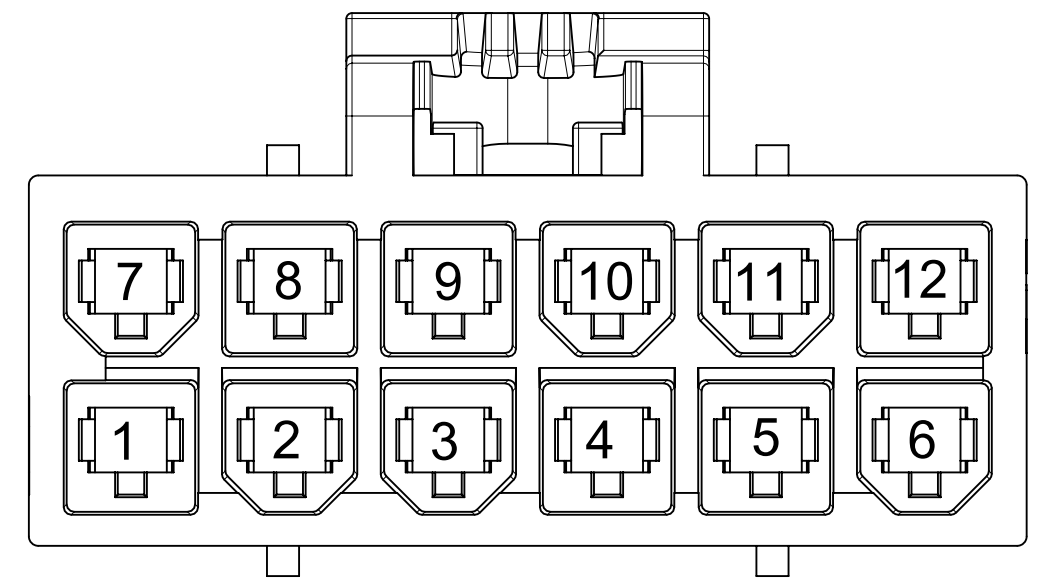


10 CKT



CHAMFER FOR 10-18CKT ONLY

CORE OUT FETURE AT THE BASE OF TOWERS FOR 10-14 CKTS DIFFERS FROM 2-8CKTS

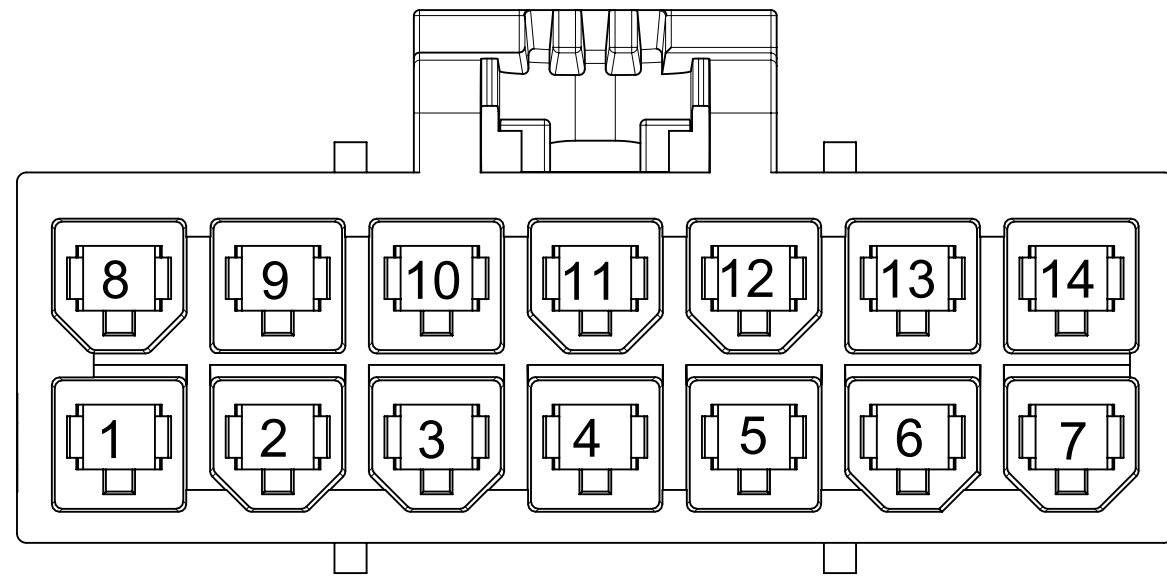


12 CKT

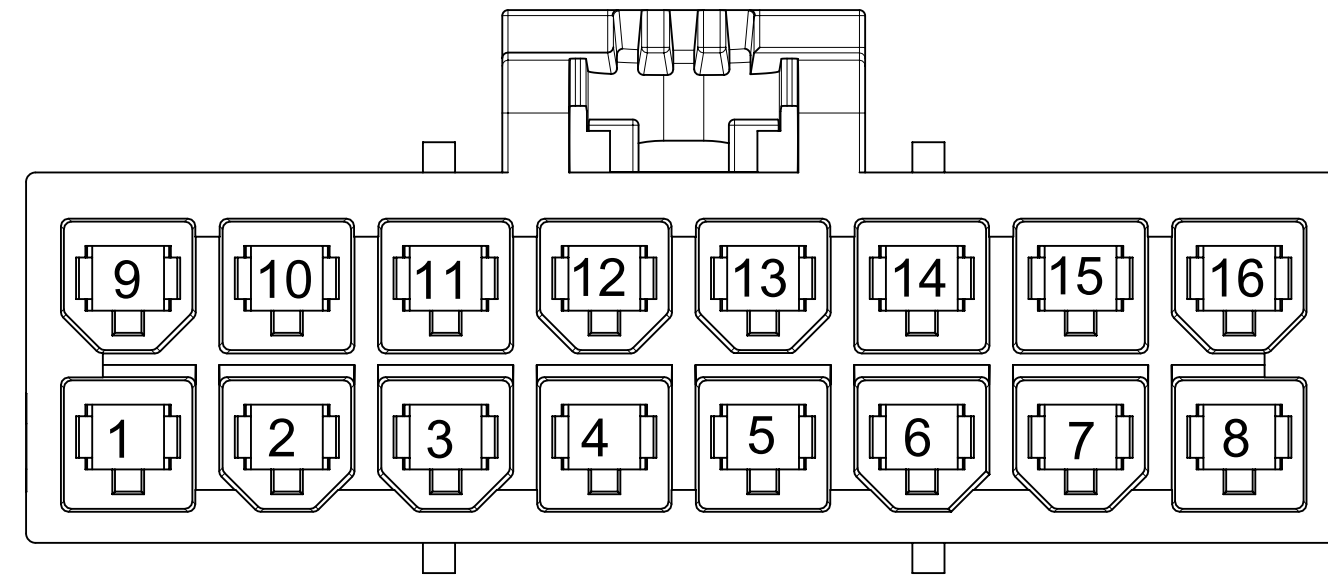
172708 M**X

THIS DRAWING CONTAINS INFORMATION THAT IS PROPRIETARY TO MOLEX ELECTRONIC TECHNOLOGIES, LLC AND SHOULD NOT BE USED WITHOUT WRITTEN PERMISSION									
DIMENSION UNITS		SCALE		CURRENT REV DESC:				molex	
mm		NTS							
GENERAL TOLERANCES (UNLESS SPECIFIED)				EC NO: 768511				SD-DRAWING OF MINI-FIT SIGMA REC HOUSING	
ANGULAR TOL ± °				DRWN: JERRYW8 2023/11/02				PRODUCT CUSTOMER DRAWING	
4 PLACES ±				CHK'D: XQZHANG 2023/11/15				DOCUMENT NUMBER	
3 PLACES ±				APPR: XQZHANG 2023/11/15				1727080002-SD	
2 PLACES ± 0.25				INITIAL REVISION:				DOC TYPE	
1 PLACE ±				DRWN: ALUO02 2019/06/20				PSD	
0 PLACES ±				APPR: AYIN 2019/06/24				DOC PART	
DRAFT WHERE APPLICABLE MUST REMAIN WITHIN DIMENSIONS				THIRD ANGLE PROJECTION		DRAWING		REVISION	
				C-SIZE		SERIES		SHEET NUMBER	
				172708		MATERIAL NUMBER		GENERAL MARKET	
				SEE TABLE		CUSTOMER		3 OF 4	

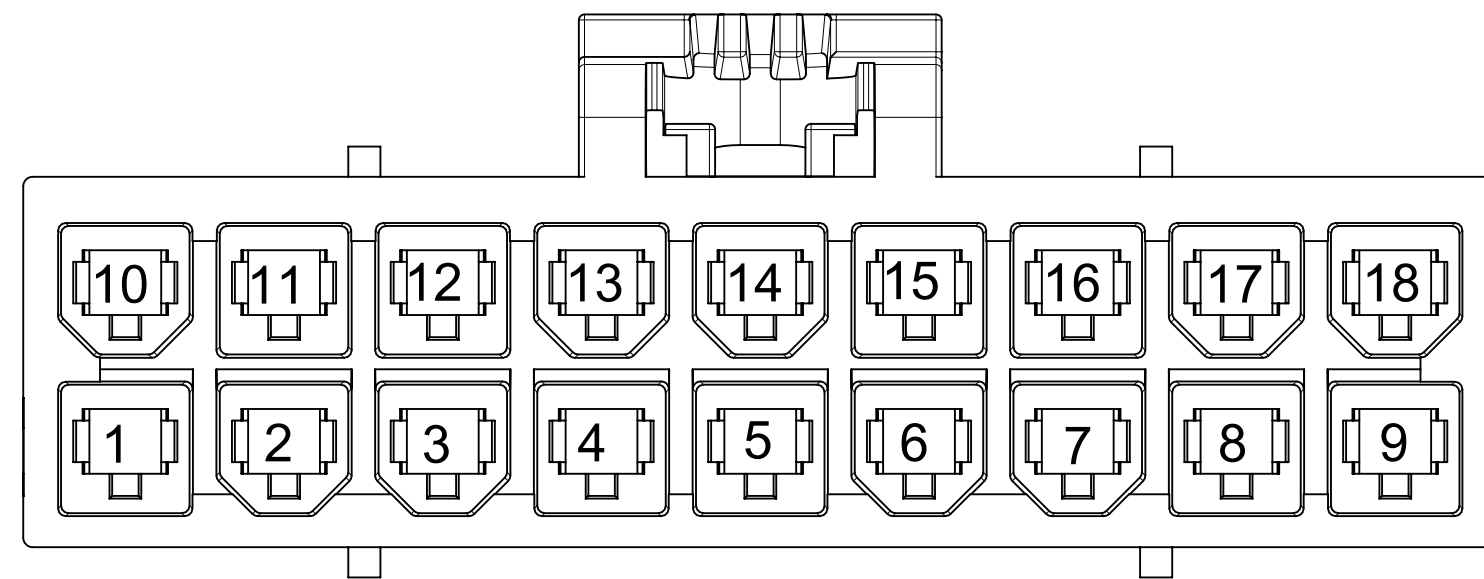
POLARIZATION DETAIL



14 CKT



16 CKT



18 CKT

THIS DRAWING CONTAINS INFORMATION THAT IS PROPRIETARY TO MOLEX ELECTRONIC TECHNOLOGIES, LLC AND SHOULD NOT BE USED WITHOUT WRITTEN PERMISSION									
DIMENSION UNITS		SCALE		CURRENT REV DESC:				molex	
mm		NTS							
GENERAL TOLERANCES (UNLESS SPECIFIED)				EC NO: 768511 DRWN: JERRYW8 CHK'D: XQZHANG APPR: XQZHANG				SD-DRAWING OF MINI-FIT SIGMA REC HOUSING	
ANGULAR TOL ± °								PRODUCT CUSTOMER DRAWING	
4 PLACES ±				2023/11/02				DOCUMENT NUMBER	
3 PLACES ±				2023/11/15				DOC TYPE	
2 PLACES ± 0.25				2023/11/15				DOC PART	
1 PLACE ±				INITIAL REVISION:				REVISION	
0 PLACES ±				DRWN: ALUO02 APPR: AYIN				1727080002-SD	
DRAFT WHERE APPLICABLE MUST REMAIN WITHIN DIMENSIONS		THIRD ANGLE PROJECTION		DRAWING		SERIES		MATERIAL NUMBER	
				C-SIZE		172708		CUSTOMER	
								GENERAL MARKET	
								SHEET NUMBER	
								4 OF 4	