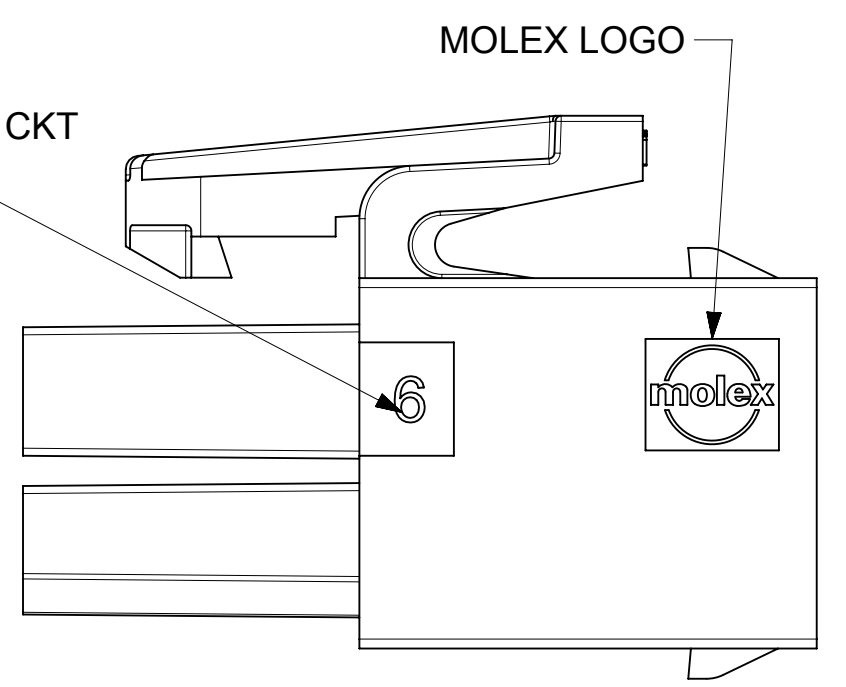
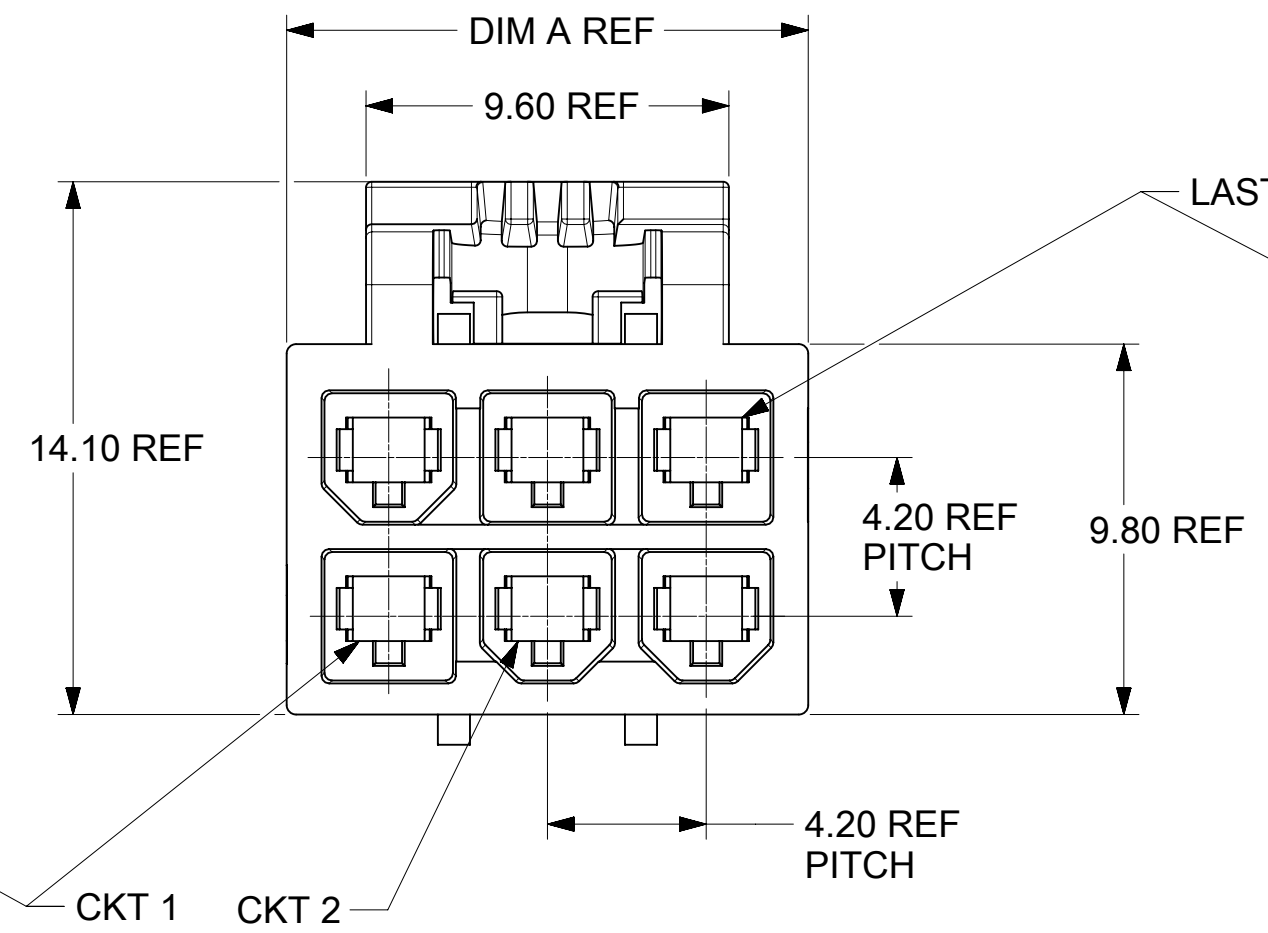
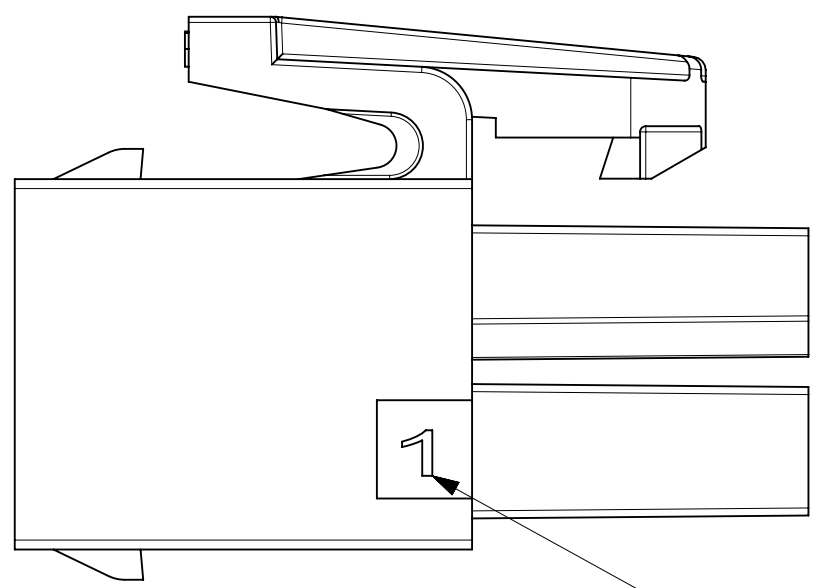
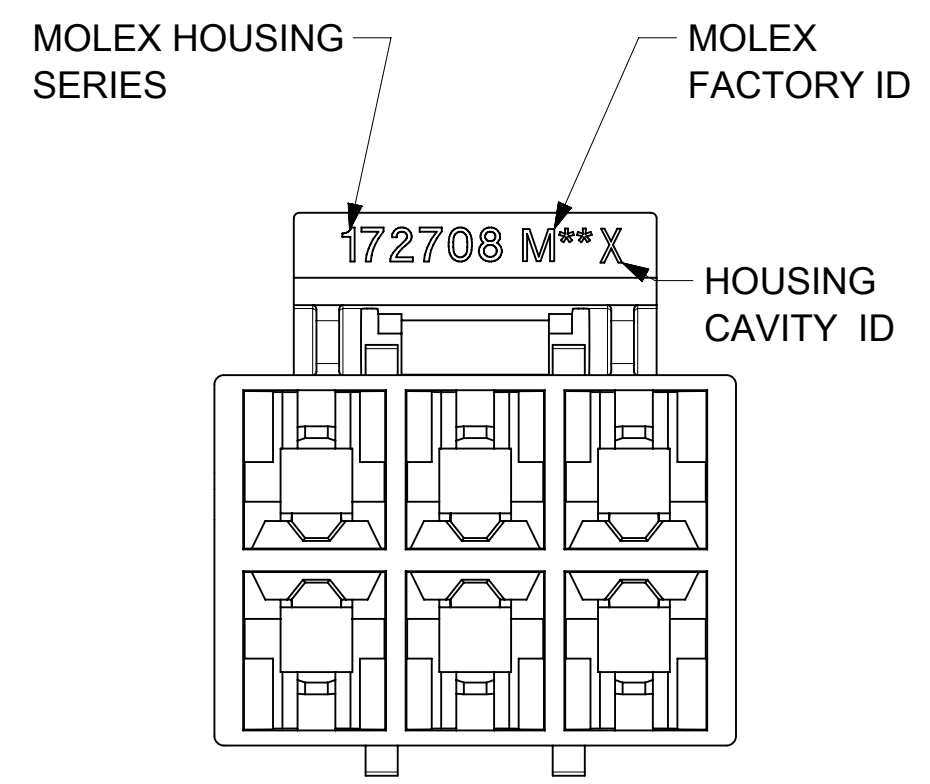
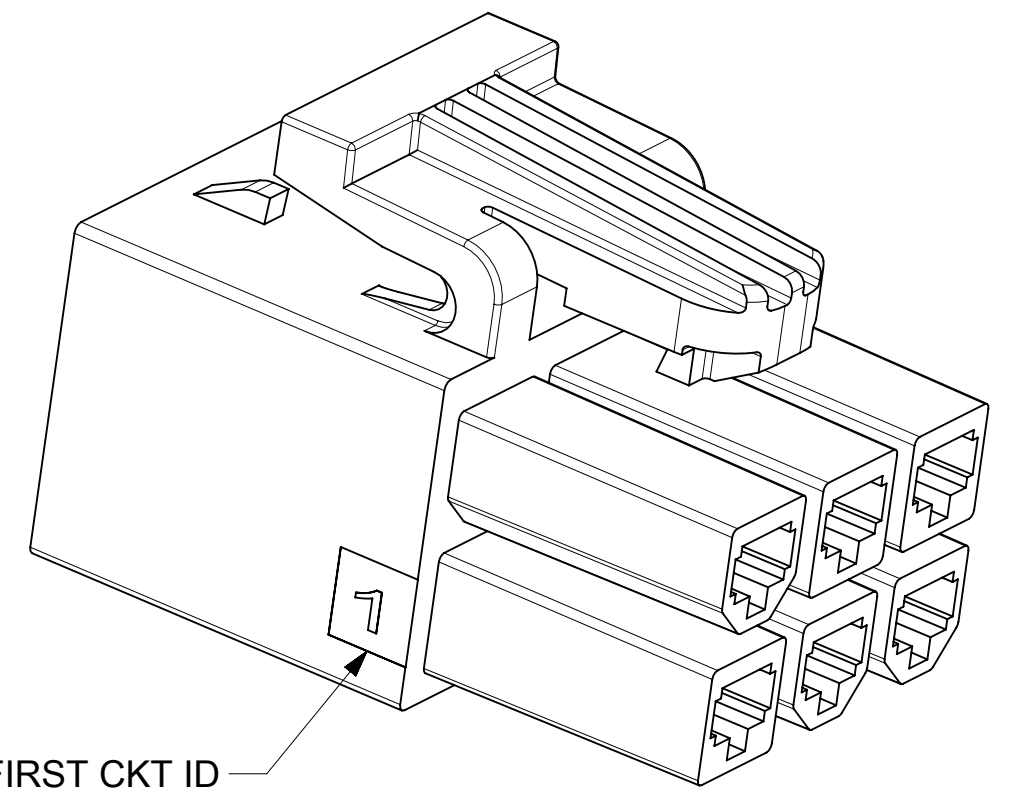
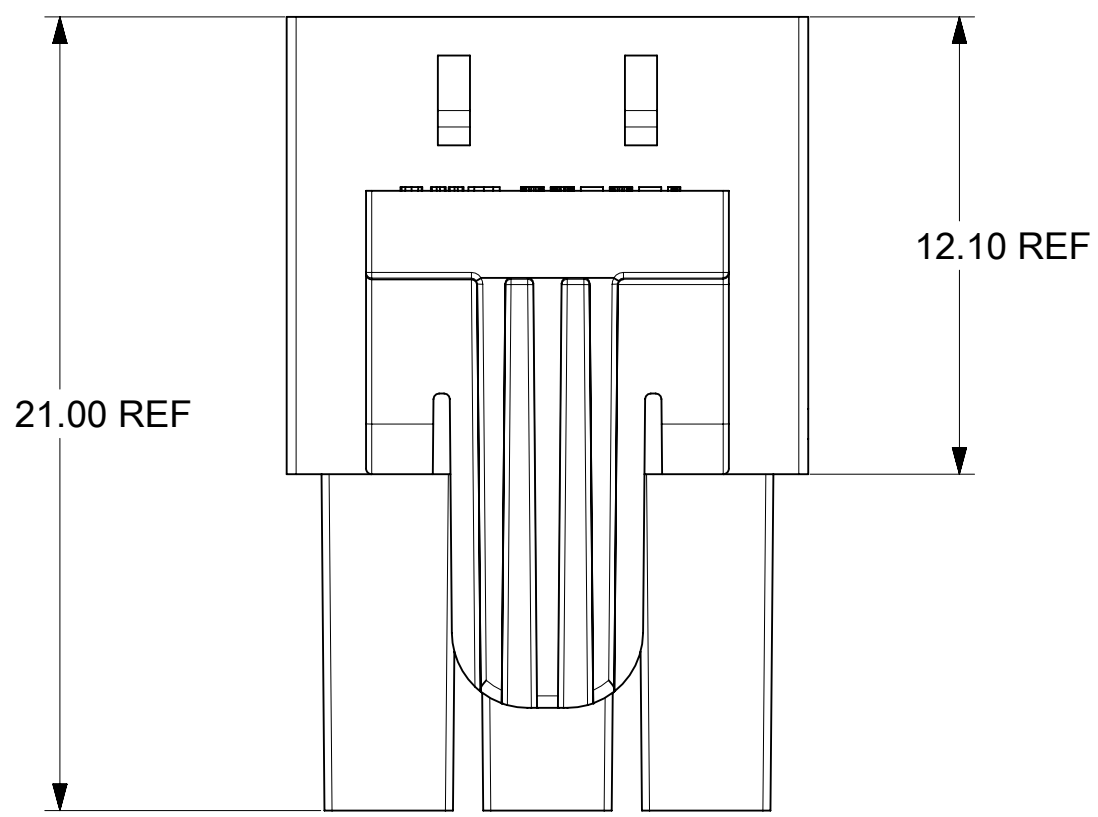


PART NUMBER	CKTS	DIM A
172708-1002	2	9.60
172708-1004	4	9.60
172708-1006	6	13.80
172708-1008	8	18.00
172708-1010	10	22.20
172708-1012	12	26.40
172708-1014	14	30.60
172708-1016	16	34.80
172708-1018	18	39.00



- NOTES:**
- MATERIAL: NYLON, UL 94V-0 AND GLOW WIRE CAPABLE PER IEC60335-1; COLOR: BLACK
 - FINISH: NONE
 - PRODUCT SPECIFICATION: 2131370000-PS, 2029880002-PS
APPLICATION SPECIFICATION: 2131370000-AS
 - PACKAGING SPECIFICATION: BULK 1727080002-PK
REFER TO AS-45499-001 FOR MOISTURIZING NYLON CONNECTOR PARTS.
 - THIS PART TO BE USED WITH MOLEX SERIES.
FEMALE TERMINAL SERIES: 172718, 202988
TPA SERIES: 172709-2***.
 - THIS PART MATES WITH MOLEX SERIES.
PLUG HOUSING SERIES: 172762-0***, 172762-1***, 172767
HDR SERIES: 35318, 44130, 87427, 172448, 46991, 5569, 5566, 35317, 43460, 87427, 172447 AND 46207.
 - THIS PART CONFORMS TO CLASS 'B' REQUIREMENTS OF COSMETIC SPECIFICATION PS-45499-002.

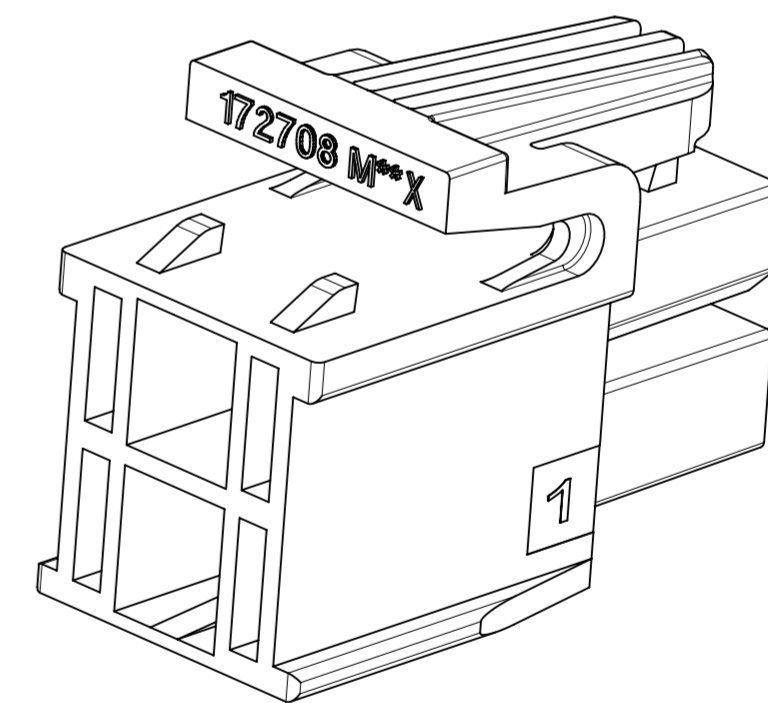
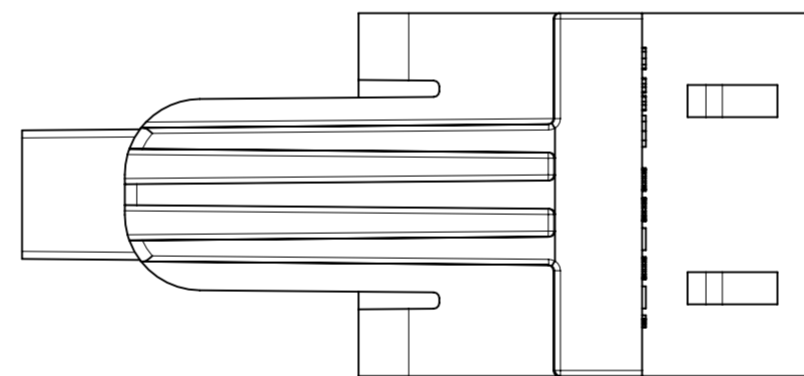
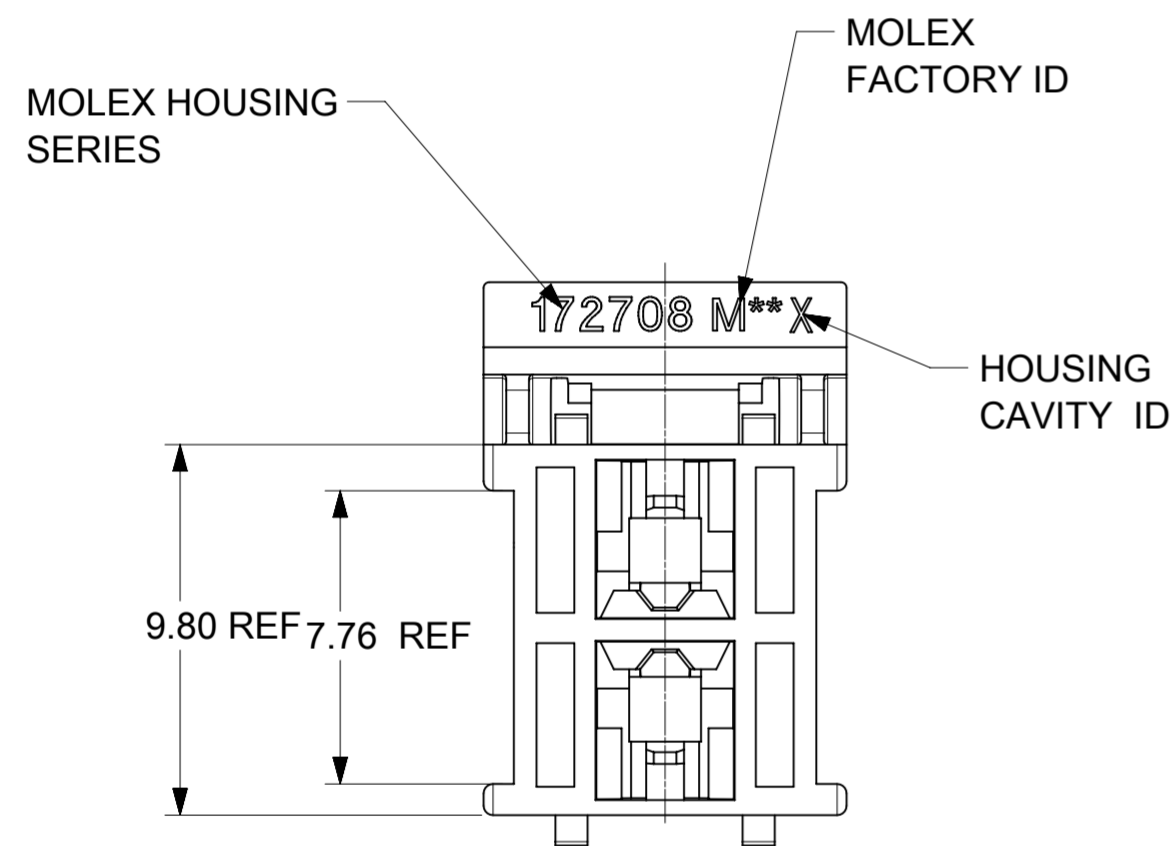
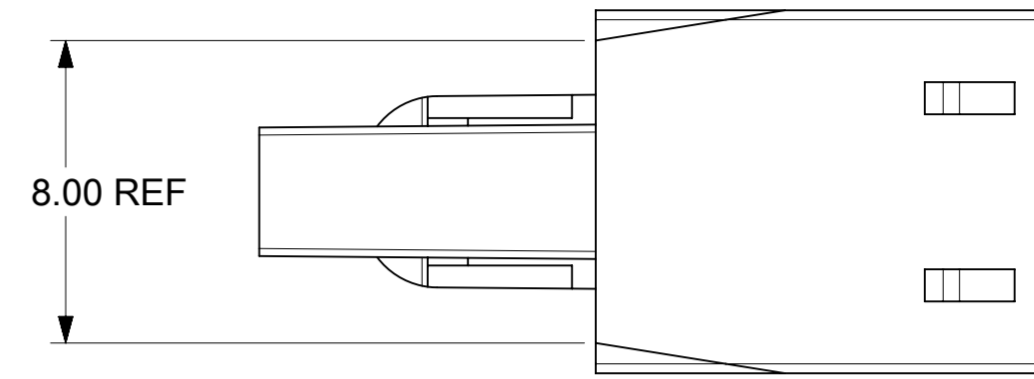
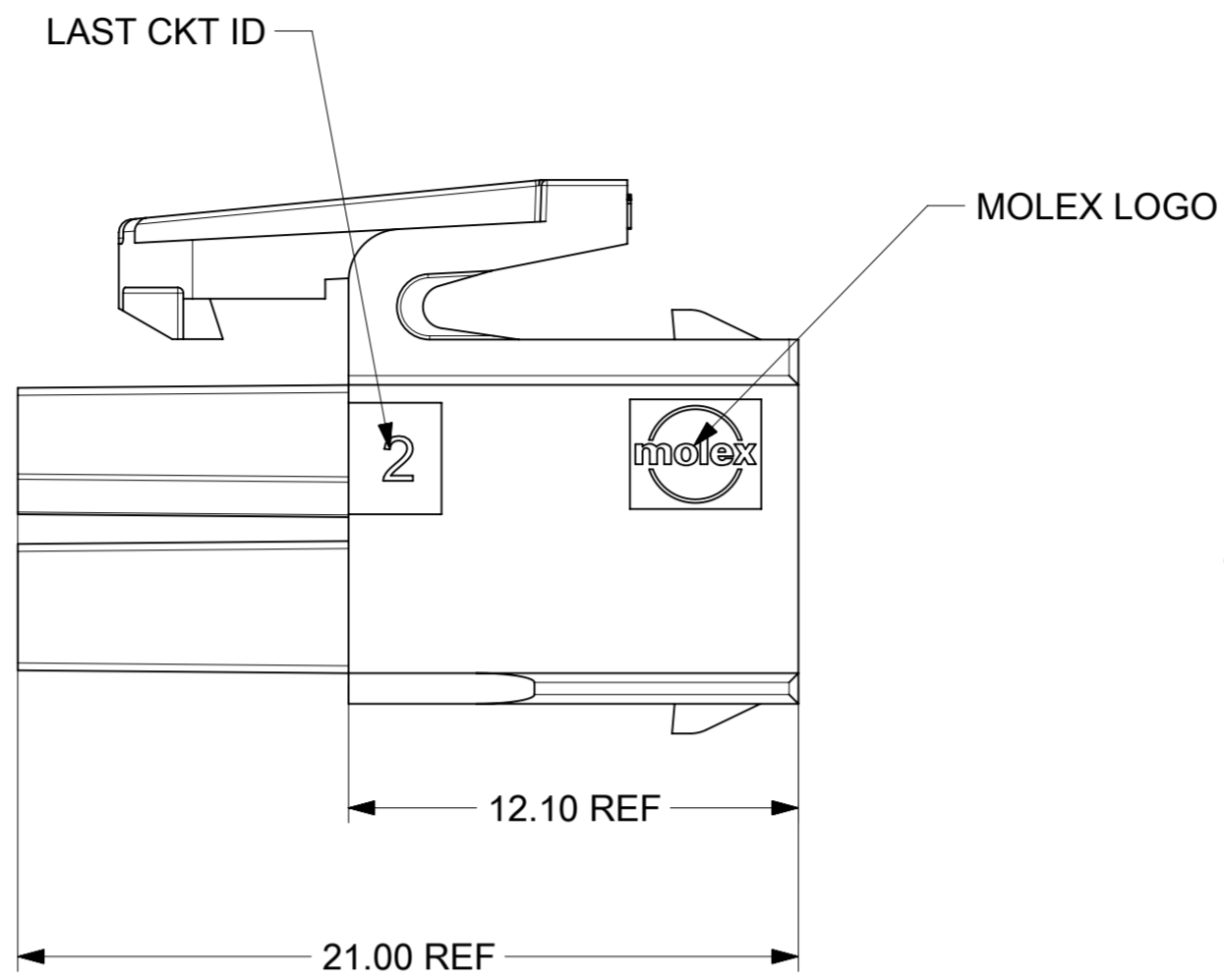
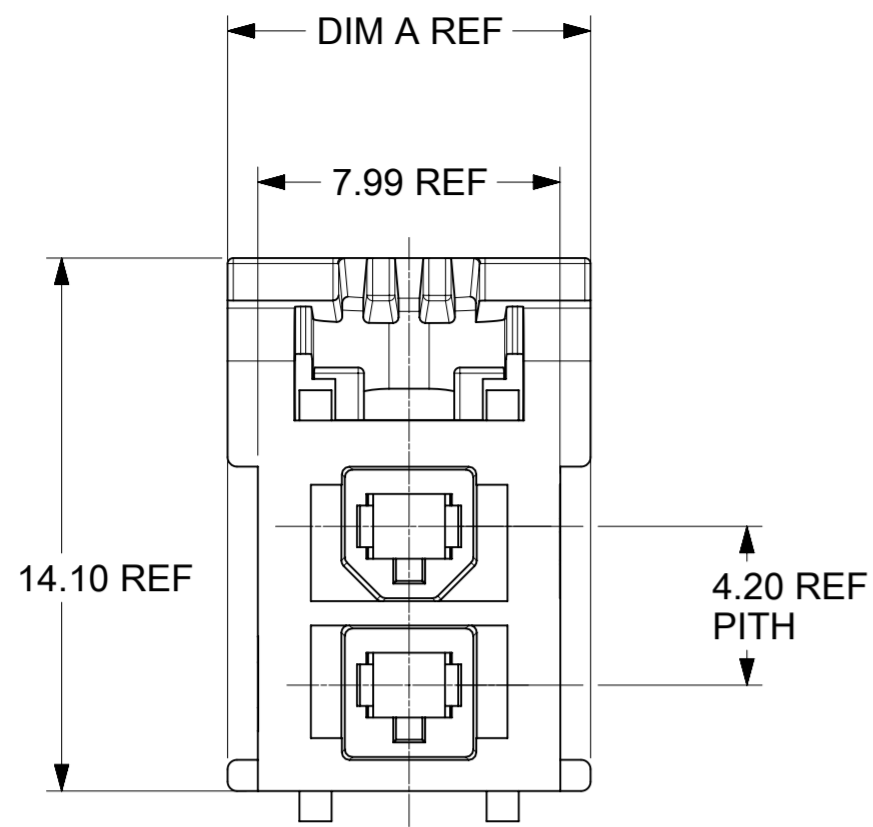
THIS DRAWING CONTAINS INFORMATION THAT IS PROPRIETARY TO MOLEX ELECTRONIC TECHNOLOGIES, LLC AND SHOULD NOT BE USED WITHOUT WRITTEN PERMISSION			
DIMENSION UNITS	SCALE	CURRENT REV DESC:	
mm	NTS		
GENERAL TOLERANCES (UNLESS SPECIFIED)			
ANGULAR TOL	± °		
4 PLACES	±	EC NO: 768511	
3 PLACES	±	DRWN: JERRYW8	2023/11/02
2 PLACES	± 0.25	CHK'D: XQZHANG	2023/11/15
1 PLACE	±	APPR: XQZHANG	2023/11/15
0 PLACES	±	INITIAL REVISION:	
DRAFT WHERE APPLICABLE MUST REMAIN WITHIN DIMENSIONS		DRWN: ALUO02	2019/06/20
THIRD ANGLE PROJECTION		APPR: AYIN	2019/06/24
DRAWING		SERIES	
C-SIZE		172708	
MATERIAL NUMBER		CUSTOMER	SHEET NUMBER
SEE TABLE		GENERAL MARKET	1 OF 4

molex

SD-DRAWING OF MINI-FIT SIGMA REC HOUSING

PRODUCT CUSTOMER DRAWING

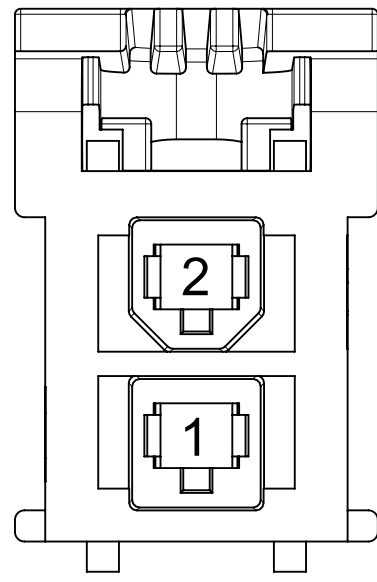
DOCUMENT NUMBER: 1727080002-SD
DOC TYPE: PSD
DOC PART: 000
REVISION: C6



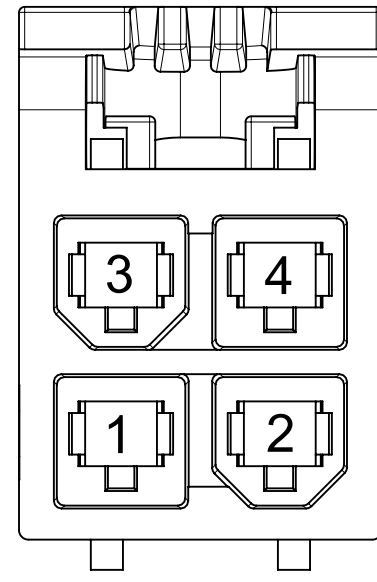
THIS DRAWING CONTAINS INFORMATION THAT IS PROPRIETARY TO MOLEX ELECTRONIC TECHNOLOGIES, LLC AND SHOULD NOT BE USED WITHOUT WRITTEN PERMISSION										
DIMENSION UNITS	SCALE	CURRENT REV DESC:				molex				
mm	NTS									
GENERAL TOLERANCES (UNLESS SPECIFIED)						SD-DRAWING OF MINI-FIT SIGMA REC HOUSING				
ANGULAR TOL	±	°				PRODUCT CUSTOMER DRAWING				
4 PLACES	±	EC NO: 768511		2023/11/02		DOCUMENT NUMBER				
3 PLACES	±	DRWN: JERRYW8		2023/11/15		1727080002-SD		DOC TYPE	DOC PART	REVISION
2 PLACES	±	CHK'D: XQZHANG		2023/11/15				PSD	000	C6
1 PLACE	±	APPR: XQZHANG		2023/11/15						
0 PLACES	±	INITIAL REVISION:				MATERIAL NUMBER				
		DRWN: ALU002		2019/06/20		CUSTOMER		SHEET NUMBER		
		APPR: AYIN		2019/06/24		GENERAL MARKET		2 OF 4		
DRAFT WHERE APPLICABLE MUST REMAIN WITHIN DIMENSIONS		THIRD ANGLE PROJECTION		DRAWING	SERIES					
				A2-SIZE	172708					

DOCUMENT STATUS	P1	RELEASE DATE	2023/11/15	09:48:28
-----------------	----	--------------	------------	----------

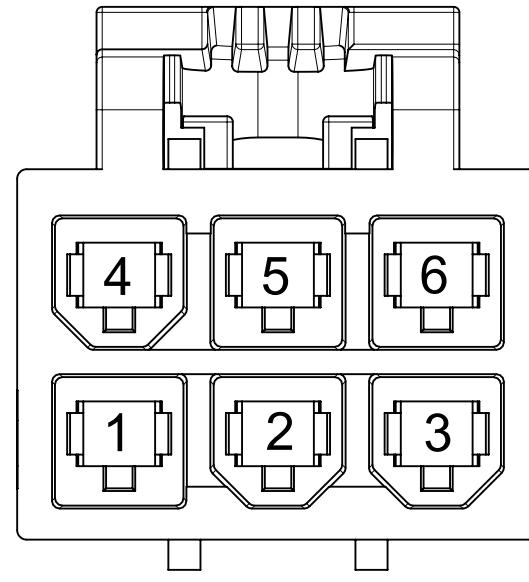
POLARIZATION DETAIL



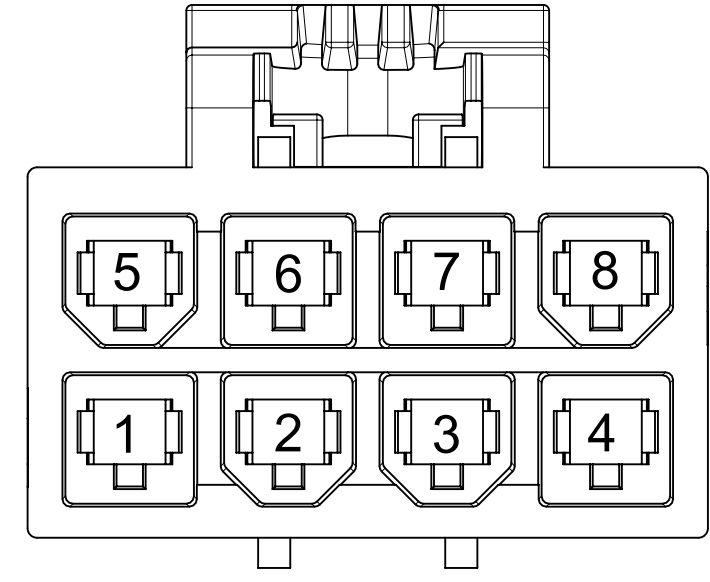
2 CKT



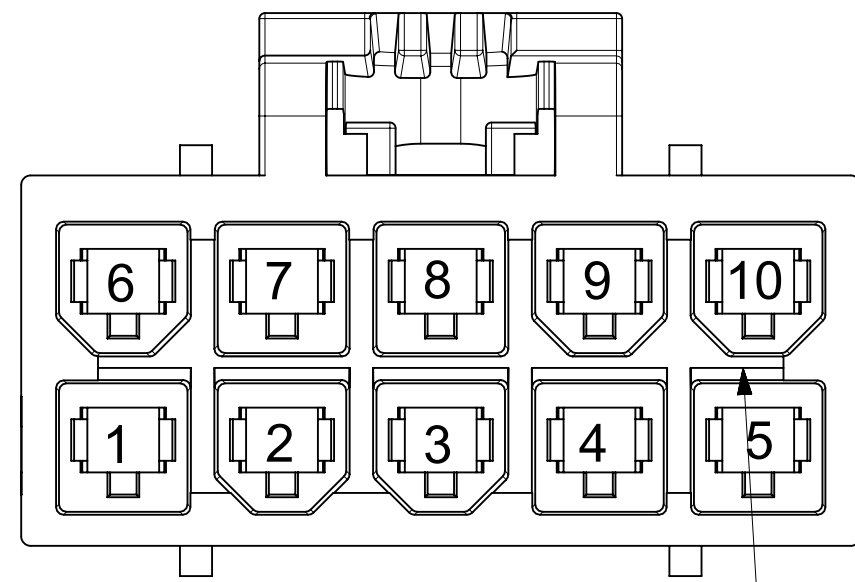
4 CKT



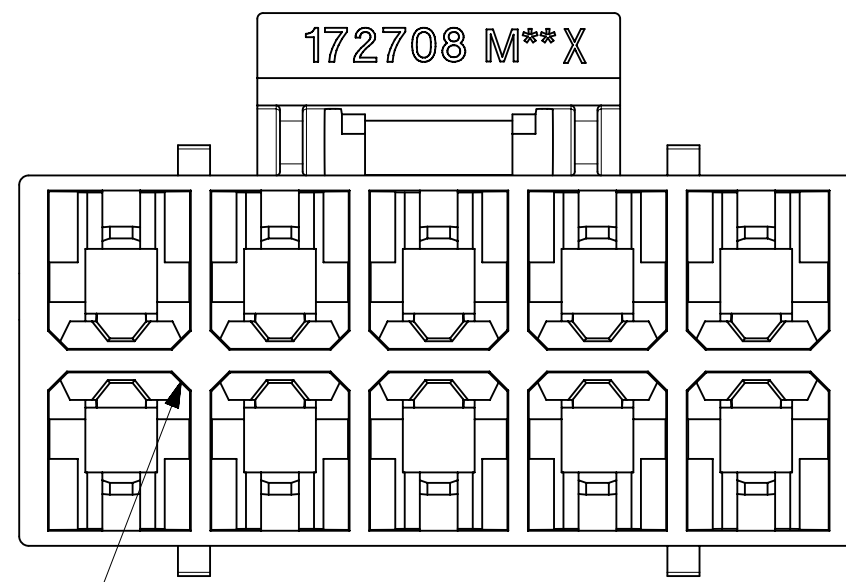
6 CKT



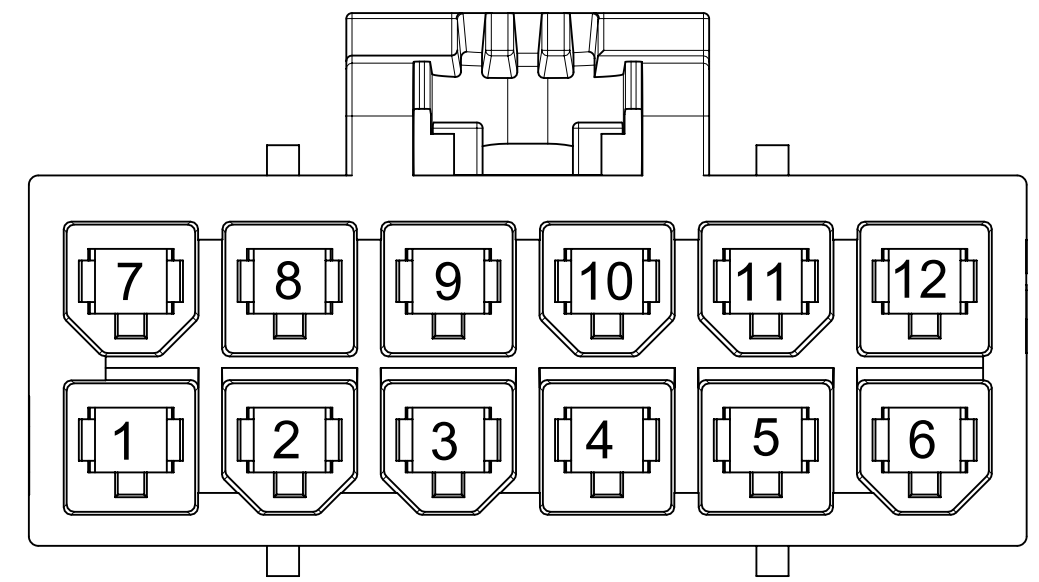
8 CKT



10 CKT



CHAMFER FOR 10-18CKT ONLY

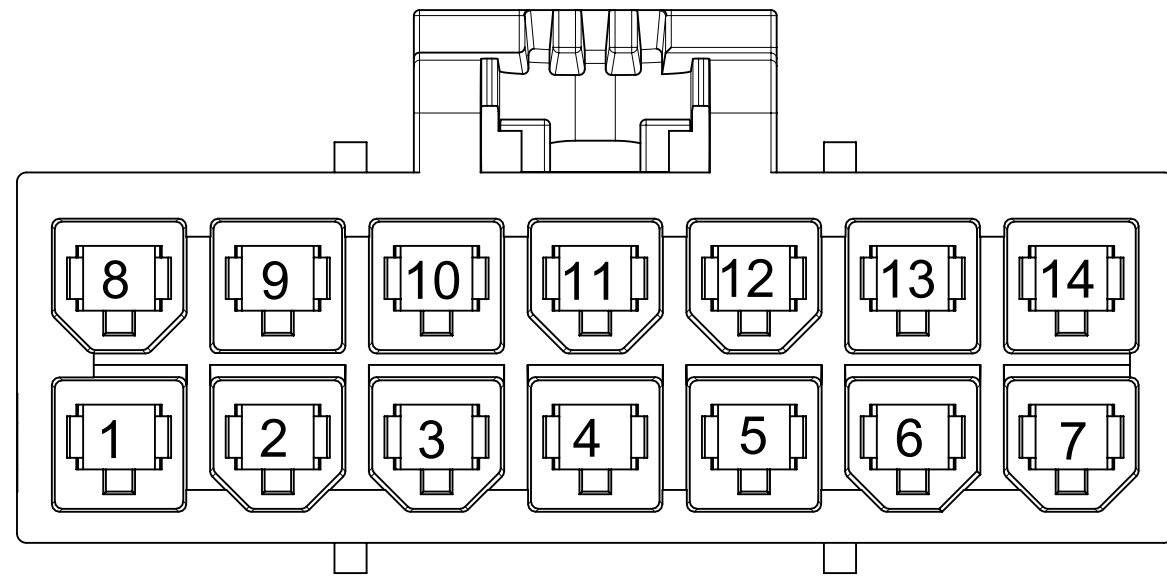


12 CKT

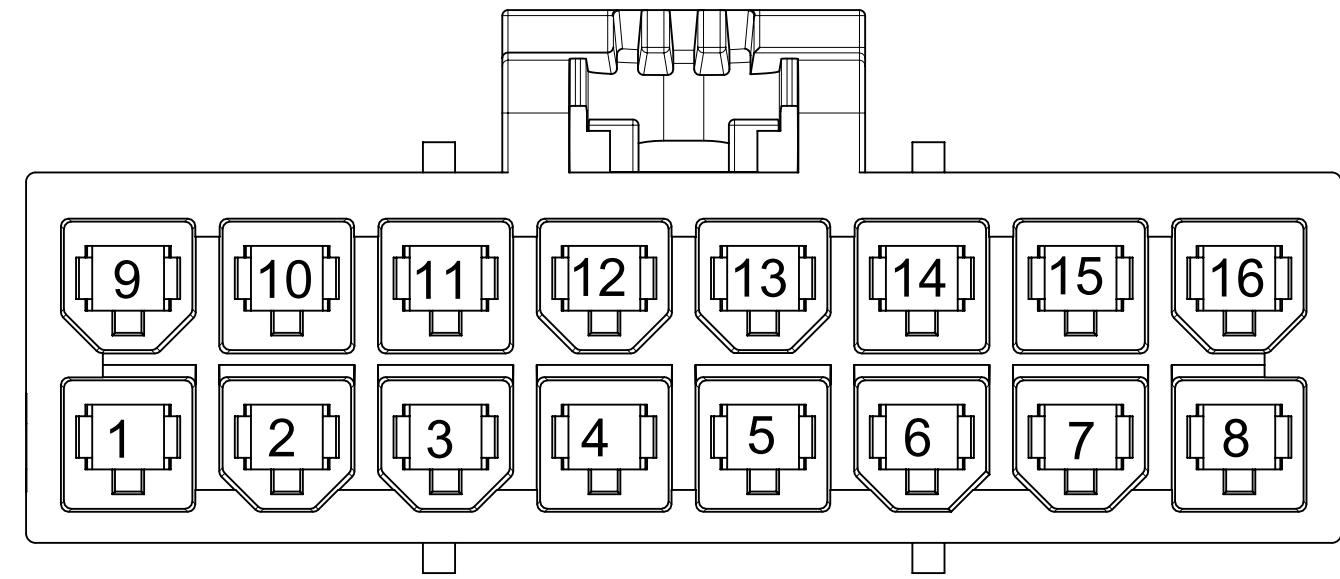
CORE OUT FETURE AT THE BASE OF TOWERS FOR 10-14 CKTS DIFFERS FROM 2-8CKTS

THIS DRAWING CONTAINS INFORMATION THAT IS PROPRIETARY TO MOLEX ELECTRONIC TECHNOLOGIES, LLC AND SHOULD NOT BE USED WITHOUT WRITTEN PERMISSION											
DIMENSION UNITS		SCALE		CURRENT REV DESC:						molex	
mm		NTS									
GENERAL TOLERANCES (UNLESS SPECIFIED)				EC NO: 768511						SD-DRAWING OF MINI-FIT SIGMA REC HOUSING	
ANGULAR TOL ± °				DRWN: JERRYW8 2023/11/02						PRODUCT CUSTOMER DRAWING	
4 PLACES ±				CHK'D: XQZHANG 2023/11/15						DOCUMENT NUMBER	
3 PLACES ±				APPR: XQZHANG 2023/11/15						1727080002-SD	
2 PLACES ± 0.25				INITIAL REVISION:						DOC TYPE	
1 PLACE ±				DRWN: ALUO02 2019/06/20						PSD	
0 PLACES ±				APPR: AYIN 2019/06/24						DOC PART	
DRAFT WHERE APPLICABLE MUST REMAIN WITHIN DIMENSIONS				THIRD ANGLE PROJECTION		DRAWING		SERIES		REVISION	
				C-SIZE		172708		MATERIAL NUMBER		SHEET NUMBER	
								SEE TABLE		3 OF 4	
								CUSTOMER			
								GENERAL MARKET			

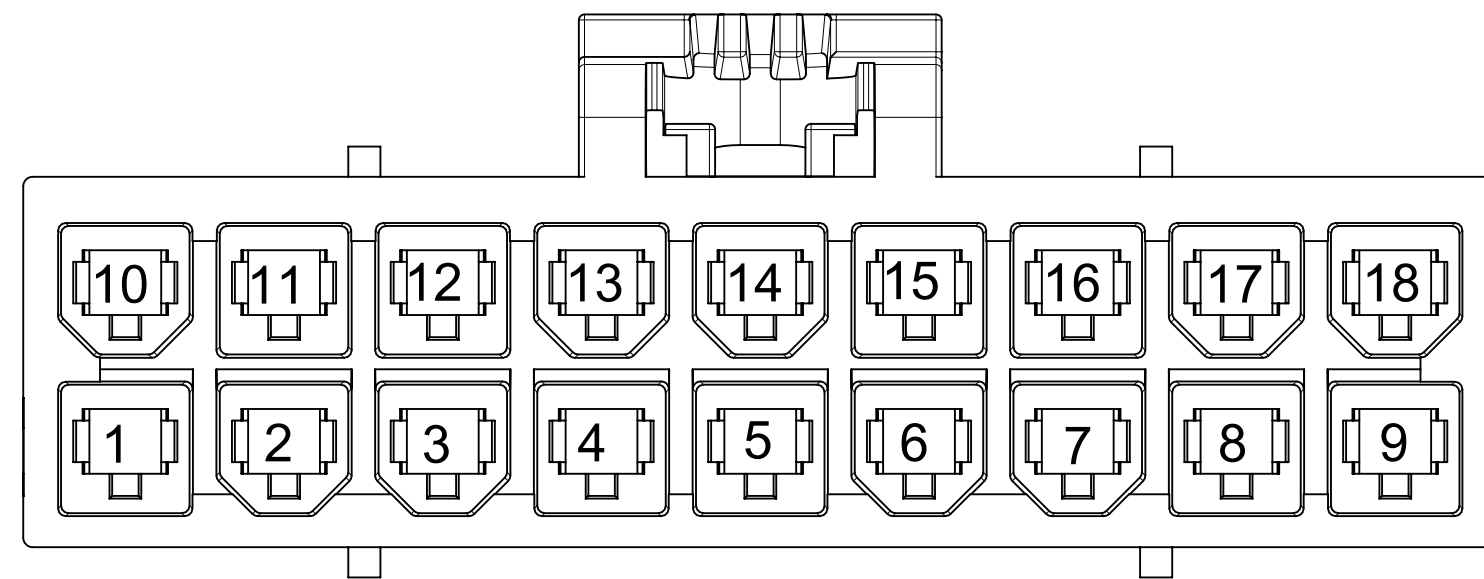
POLARIZATION DETAIL



14 CKT



16 CKT



18 CKT

THIS DRAWING CONTAINS INFORMATION THAT IS PROPRIETARY TO MOLEX ELECTRONIC TECHNOLOGIES, LLC AND SHOULD NOT BE USED WITHOUT WRITTEN PERMISSION													
DIMENSION UNITS		SCALE		CURRENT REV DESC:				molex					
mm		NTS											
GENERAL TOLERANCES (UNLESS SPECIFIED)				EC NO: 768511 DRWN: JERRYW8 2023/11/02 CHK'D: XQZHANG 2023/11/15 APPR: XQZHANG 2023/11/15 INITIAL REVISION: DRWN: ALUO02 2019/06/20 APPR: AYIN 2019/06/24				SD-DRAWING OF MINI-FIT SIGMA REC HOUSING					
ANGULAR TOL ± °								PRODUCT CUSTOMER DRAWING					
4 PLACES ±								DOCUMENT NUMBER		DOC TYPE		DOC PART REVISION	
3 PLACES ±								1727080002-SD		PSD		000 C6	
2 PLACES ± 0.25								MATERIAL NUMBER		CUSTOMER		SHEET NUMBER	
1 PLACE ±				SEE TABLE		GENERAL MARKET		4 OF 4					
0 PLACES ±				THIRD ANGLE PROJECTION		DRAWING		SERIES					
DRAFT WHERE APPLICABLE MUST REMAIN WITHIN DIMENSIONS						C-SIZE		172708					