

CKT SIZE	DIM A	DIM B	DIM C	DIM D
2	.165 (4.20)	.378 (9.60)	.520 (13.20)	.772 (19.60)
4	.496 (12.60)	.709 (18.00)	.850 (21.60)	1.102 (28.00)
5	.661 (16.80)	.874 (22.20)	1.016 (25.80)	1.268 (32.20)
6	.827 (21.00)	1.039 (26.40)	1.181 (30.00)	1.433 (36.40)
7	.992 (25.20)	1.205 (30.60)	1.346 (34.20)	1.598 (40.60)
8	1.157 (29.40)	1.370 (34.80)	1.512 (38.40)	1.764 (44.80)
9	1.323 (33.60)	1.535 (39.00)	1.677 (42.60)	1.929 (49.00)
10	1.488 (37.80)	1.701 (43.20)	1.843 (46.80)	2.094 (53.20)
11	1.654 (42.00)	1.866 (47.40)	2.008 (51.00)	2.260 (57.40)
12	1.819 (46.20)	2.031 (51.60)	2.173 (55.20)	2.425 (61.60)

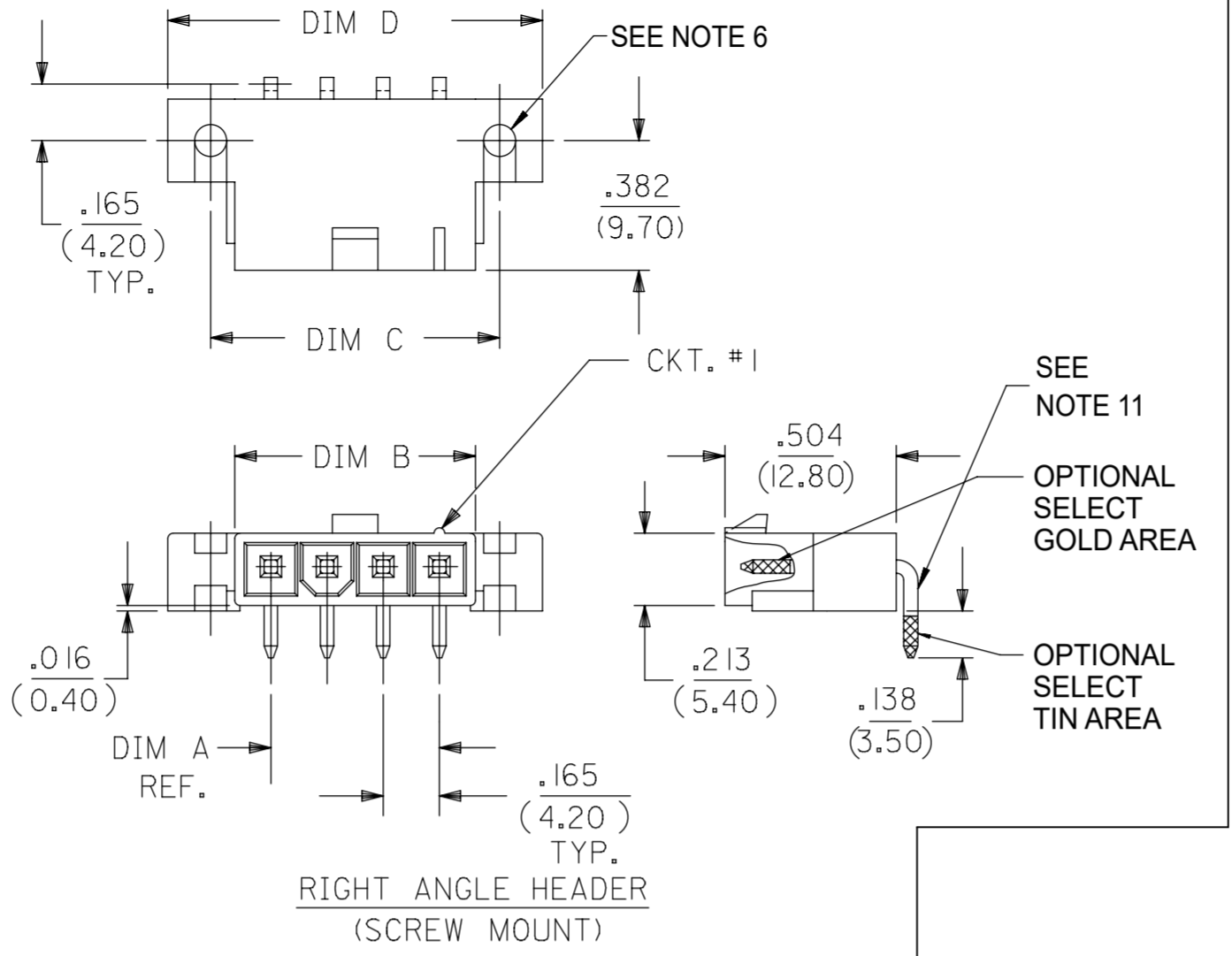
172648 - * * **

PLATING & PACKAGING
SEE NOTE 2
0 = TIN
1 = GOLD
6 = TIN, TRAY PACKAGING
(ONLY FOR 4 & 5 CKT)
7 = GOLD, TRAY PACKAGING
(ONLY FOR 4 & 5 CKT)

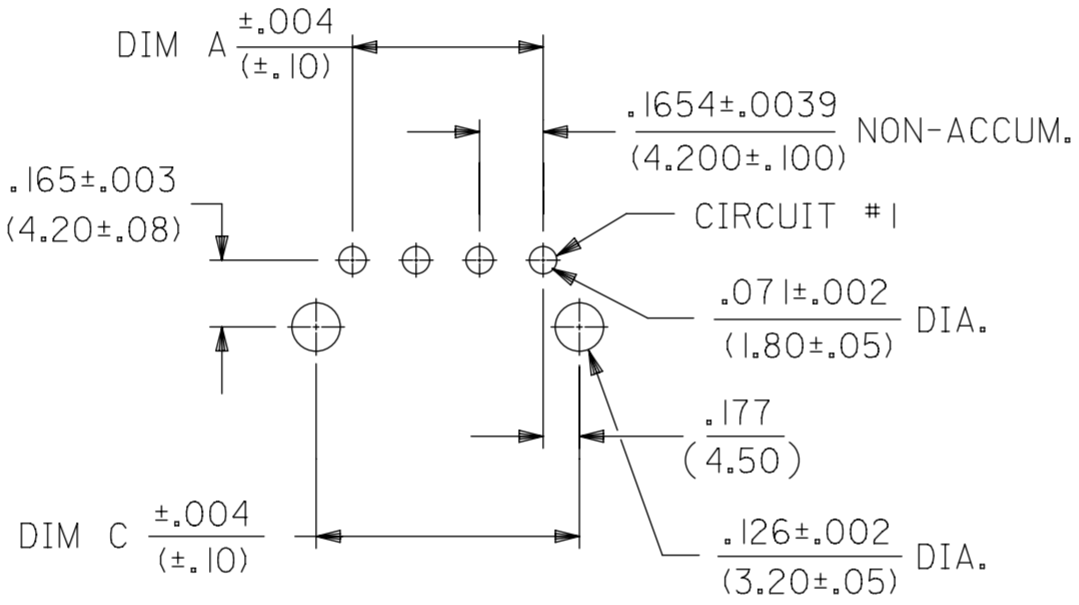
ASSEMBLY TYPE & HOUSING MATERIAL
1 = SINGLE ROW W/PEGS, POSITIVE LOCK
MATERIAL= NYLON, UL 94V-2
2 = SINGLE ROW W/SCREW MOUNT, POSITIVE LOCK
3 = SINGLE ROW W/PEGS, POSITIVE LOCK
MATERIAL= NYLON, UL 94V-0

- NOTES:
- MATERIAL: HOUSING: MATERIAL 1: UNFILLED NYLON, UL94V-2, IEC 60335-1, 5TH EDITION GLOW WIRE CAPABLE, COLOR - BLACK. MATERIAL 2: UNFILLED NYLON, UL94V-0, IEC 60335-1, 5TH EDITION GLOW WIRE CAPABLE, COLOR - BLACK. TERMINAL: BRASS ALLOY
 - FINISH (PLATING): GOLD = .000030/(0.00076) MIN. SELECT GOLD OVER .000100/(0.00254) MIN. SELECT MATTE TIN OVER .000050/(0.00127) MIN. NICKEL OVERALL TIN = .000100/(0.00254) MIN. MATTE TIN OVER .000050/(0.00127) MIN. NICKEL OVERALL
 - PRODUCT SPECIFICATION: PS-5556-001
 - PACKAGING SPECIFICATION: BULK PACK PER PK-5569-002 TRAY PACK PER PK-5569-005
 - PART MATES WITH MINI-FIT JR. RECEPTACLE SERIES 46994.
 - SCREW MOUNT PARTS ARE DESIGNED FOR USE WITH #4 OR M3 SELF TAPPING SCREWS.
 - DISCOLORATION IN THE BANDOLIER CARRIER AREA OF THE PIN IS INHERENT TO THE PLATING PROCESS AND IS DUE TO THE MASKING EFFECT OF THE CARRIER. THIS DISCOLORATION IS IN A NON-FUNCTIONAL AREA OF THE PIN AND WILL NOT AFFECT THE PERFORMANCE OF THE HEADER ASSEMBLY.
 - CONNECTORS ARE NOT TO BE MATED AND UNMATED WHILE CIRCUITS ARE LIVE.
 - PARTS ARE NOT DESIGNED FOR CURRENT SHARING.
 - PART CONFORMS TO CLASS "B" REQUIREMENTS OF COSMETIC SPECIFICATION PS-45499-002, WITH THE EXCEPTION OF DISCOLORATION, FLASH AND SINK MEET CLASS "C" REQUIREMENTS.
 - FORMING MARKS ON PINS ARE ACCEPTABLE.

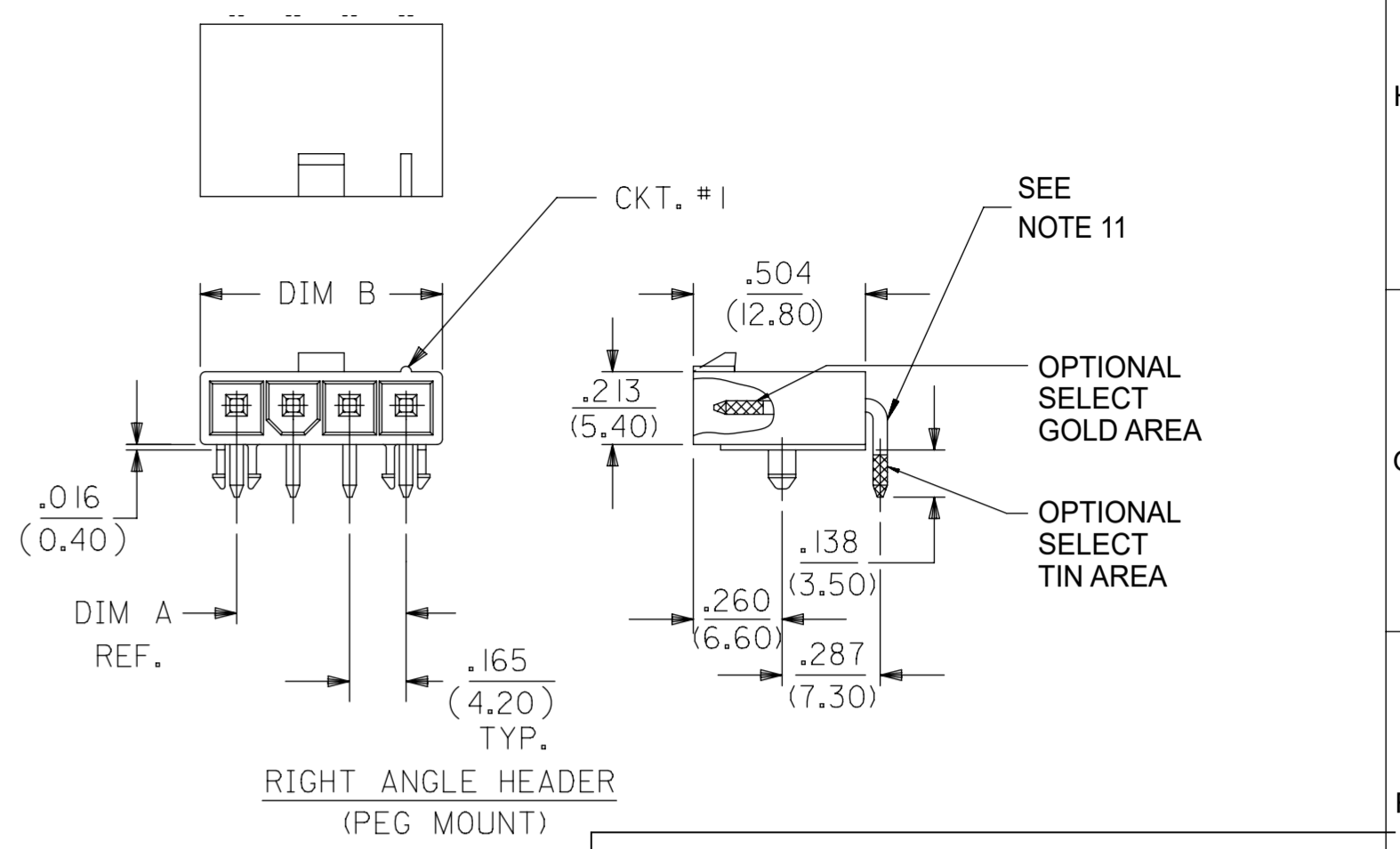
CIRCUIT SIZE



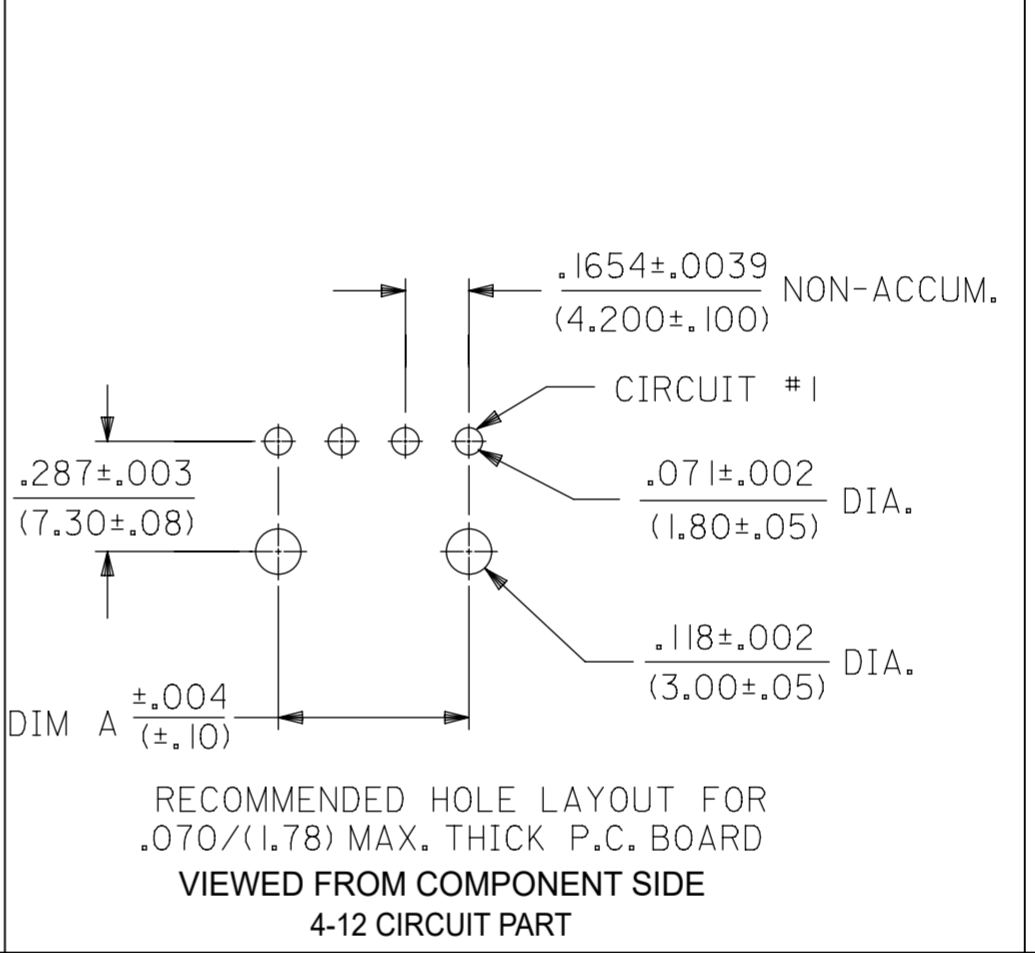
RIGHT ANGLE HEADER (SCREW MOUNT)



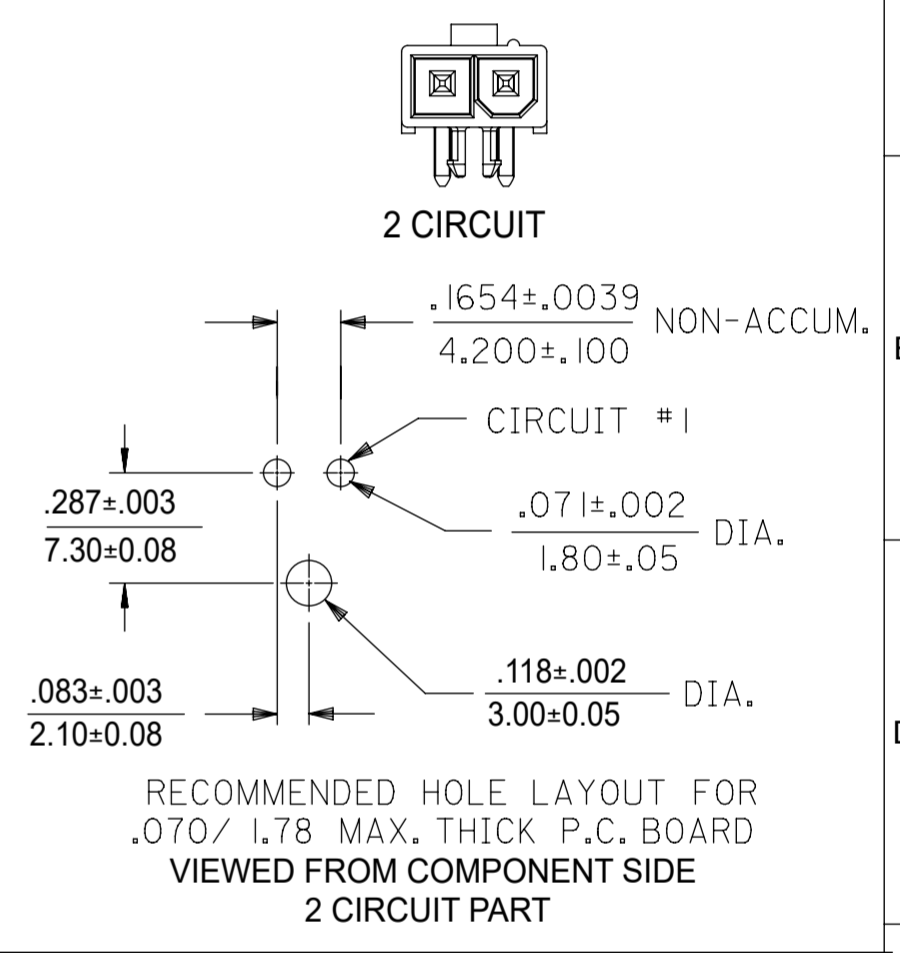
RECOMMENDED HOLE LAYOUT FOR .070/(1.78) MAX. THICK P.C. BOARD VIEWED FROM COMPONENT SIDE



RIGHT ANGLE HEADER (PEG MOUNT)



RECOMMENDED HOLE LAYOUT FOR .070/(1.78) MAX. THICK P.C. BOARD VIEWED FROM COMPONENT SIDE 4-12 CIRCUIT PART



RECOMMENDED HOLE LAYOUT FOR .070/ 1.78 MAX. THICK P.C. BOARD VIEWED FROM COMPONENT SIDE 2 CIRCUIT PART

PART NUMBER	CKT SIZE	MOUNTING OPTION	PLATING SEE NOTE 2	HOUSING MATERIAL	PACKAGING
172648-0302	2	PEG	TIN	NYLON UL94V-0	TRAY
172648-6304	4				TRAY
172648-6305	5				TRAY
172648-0306	6				TRAY
PART NUMBER	CKT SIZE	MOUNTING OPTION	PLATING SEE NOTE 2	HOUSING MATERIAL	PACKAGING
172648-1302	2	PEG	GOLD	NYLON UL94V-0	TRAY
172648-7304	4				TRAY
172648-7305	5				TRAY
172648-1306	6				TRAY

BULK PACKAGED PER PK-5569-002											
BULK PACKED PART NUMBERS ARE NOT RECOMMENDED, FOR NEW APPLICATIONS USE THE TRAY PACKED PART NUMBERS											
PART NUMBER	CKT SIZE	MOUNTING OPTION	PLATING SEE NOTE 2	HOUSING MATERIAL	PACKAGING	PART NUMBER	CKT SIZE	MOUNTING OPTION	PLATING SEE NOTE 2	HOUSING MATERIAL	PACKAGING
172648-0102	2	PEG	TIN	NYLON UL94V-2	TRAY	172648-1102	2	PEG	GOLD	NYLON UL94V-2	TRAY
172648-0104	4				BULK	172648-1104	4				BULK
172648-6104	4				TRAY	172648-7104	4				TRAY
172648-0105	5				BULK	172648-1105	5				BULK
172648-6105	5				TRAY	172648-7105	5				TRAY
172648-0106	6				TRAY	172648-1106	6				TRAY

THIS DRAWING CONTAINS INFORMATION THAT IS PROPRIETARY TO MOLEX ELECTRONIC TECHNOLOGIES, LLC AND SHOULD NOT BE USED WITHOUT WRITTEN PERMISSION

DIMENSION UNITS: INCH/MM	SCALE: NTS	CURRENT REV DESC:
GENERAL TOLERANCES (UNLESS SPECIFIED)		
ANGULAR TOL ± 3.0°	EC NO: 777582	
4 PLACES ±	DRWN: JERRYW8	2024/02/20
3 PLACES ±	CHK'D: XQZHANG	2024/02/22
2 PLACES ± 0.38	APPR: XQZHANG	2024/02/22
1 PLACE ±	INITIAL REVISION:	
0 PLACES ±	DRWN: NNGUYEN	2014/04/11
	APPR: FSMITH	2014/05/16
DRAFT WHERE APPLICABLE MUST REMAIN WITHIN DIMENSIONS	THIRD ANGLE PROJECTION	DRAWING SERIES: A2-SIZE 172648
DOCUMENT NUMBER: SD-172648-0000		DOC TYPE: PSD
CUSTOMER: GENERAL MARKET		DOC PART: 001
MATERIAL NUMBER: SEE CHART		REVISION: B2
SHEET NUMBER: 1 OF 2		



MINI-FIT JR RIGHT ANGLE HEADER ASSEMBLY SINGLE ROW, GLOW WIRE

PRODUCT CUSTOMER DRAWING

PART NUMBER	CKT SIZE	MOUNTING OPTION	PLATING SEE NOTE 2	HOUSING MATERIAL	PACKAGING
172648-0103	3	PEG	TIN	NYLON UL94V-2	BULK
172648-1103	3		GOLD	NYLON UL94V-2	BULK
172648-6303	3		TIN	NYLON UL94V-0	TRAY
172648-7303	3		GOLD	NYLON UL94V-0	TRAY

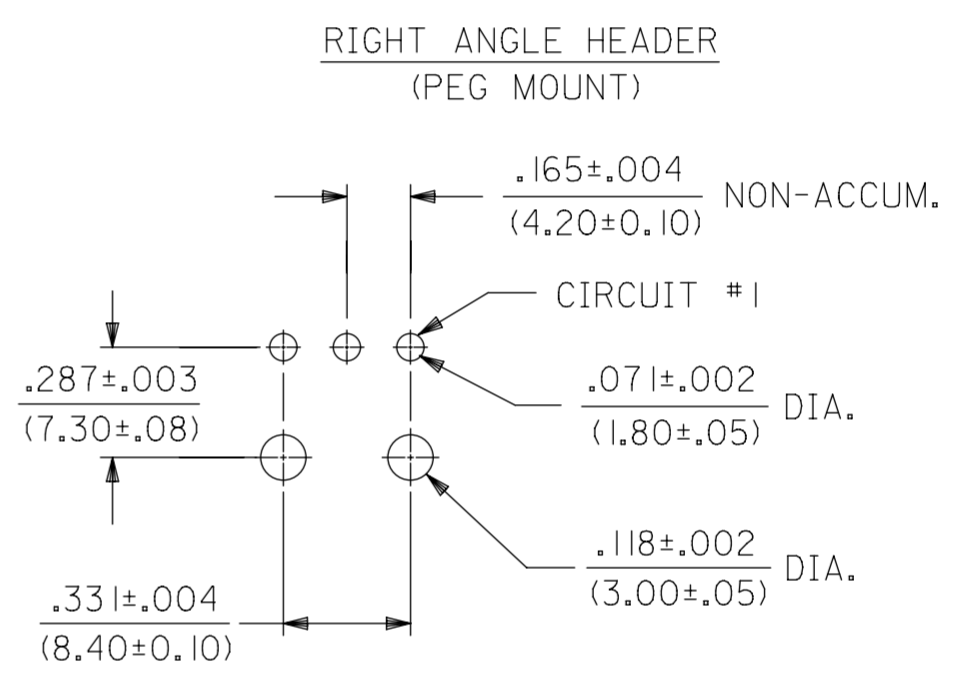
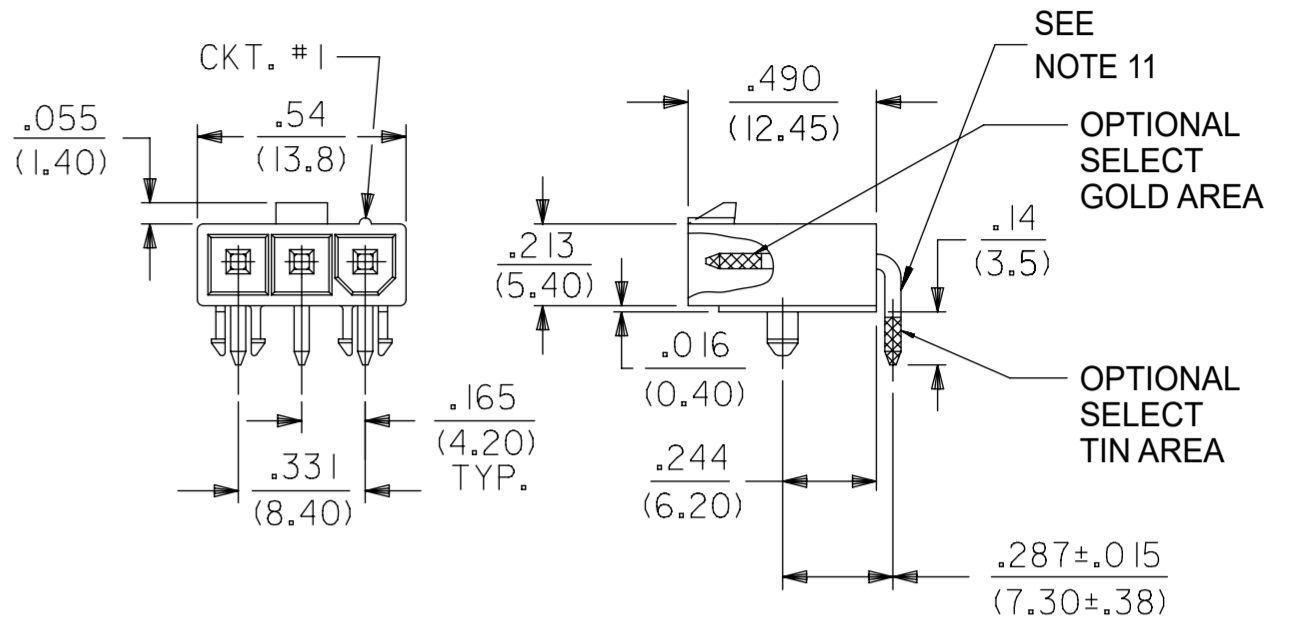
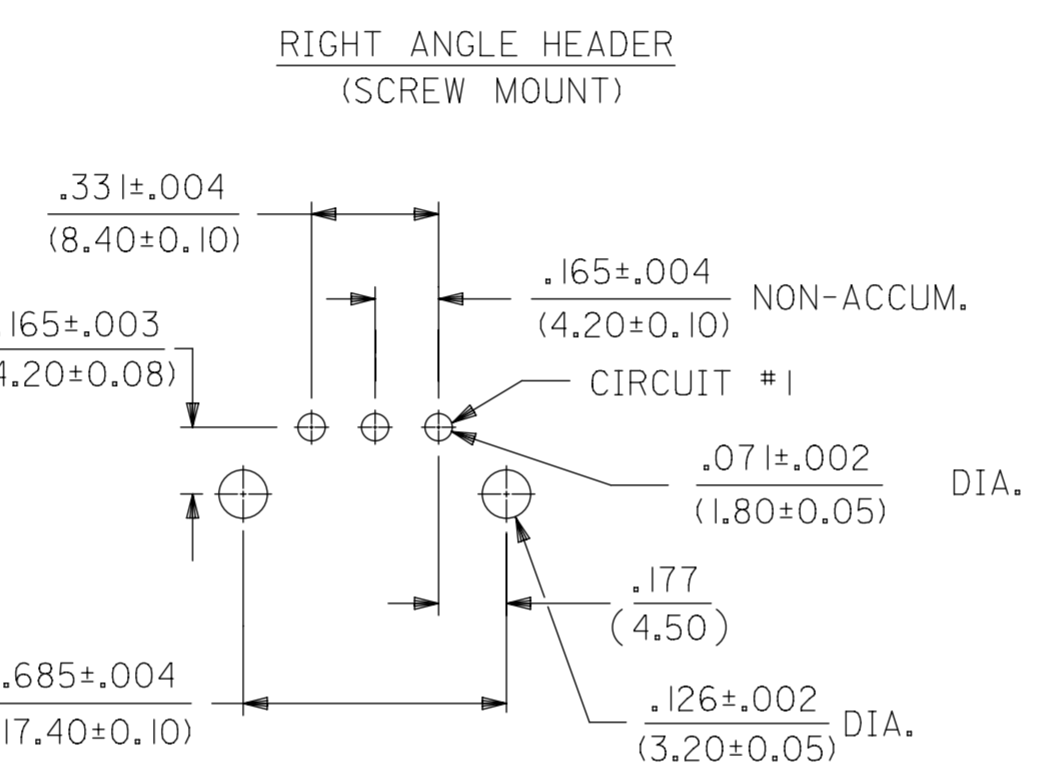
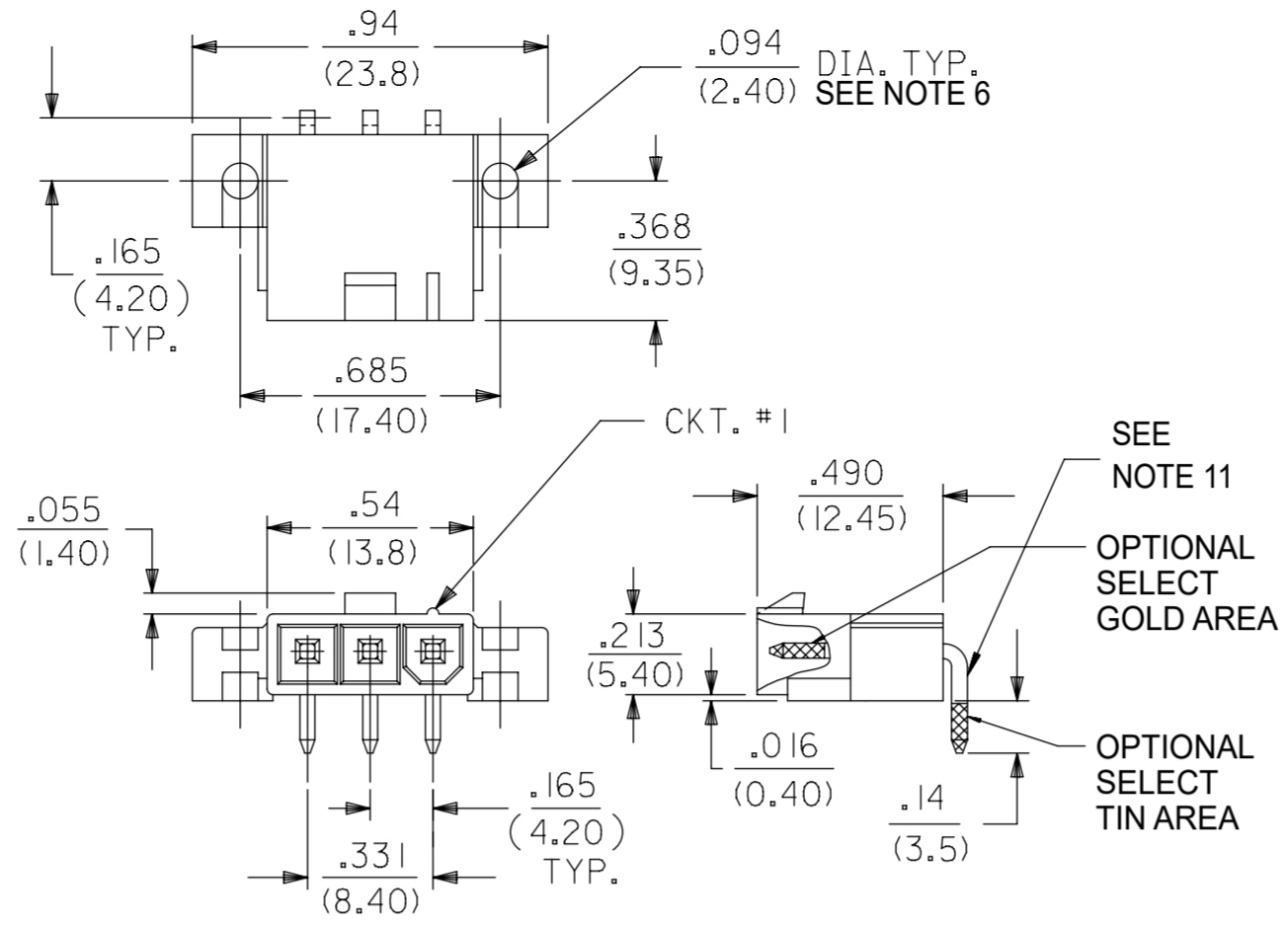
172648 - * * 03

PLATING & PACKAGING
SEE NOTE 2
0 = TIN
1 = GOLD
6 = TIN, TRAY PACKAGING
(ONLY FOR 4 & 5 CKT)
7 = GOLD, TRAY PACKAGING
(ONLY FOR 4 & 5 CKT)

ASSEMBLY TYPE & HOUSING MATERIAL
1 = SINGLE ROW W/PEGS, POSITIVE LOCK
MATERIAL= NYLON, UL 94V-2
2 = SINGLE ROW W/SCREW MOUNT, POSITIVE LOCK
3 = SINGLE ROW W/PEGS, POSITIVE LOCK
MATERIAL= NYLON, UL 94V-0

CIRCUIT SIZE

- NOTES:
- MATERIAL: HOUSING: MATERIAL 1: UNFILLED NYLON, UL94V-2, IEC 60335-1, 5TH EDITION GLOW WIRE CAPABLE, COLOR - BLACK. MATERIAL 2: UNFILLED NYLON, UL94V-0, IEC 60335-1, 5TH EDITION GLOW WIRE CAPABLE, COLOR - BLACK. TERMINAL MATERIAL: BRASS ALLOY
 - TERMINAL PLATING: TIN = .000100/(0.00254) MIN. MATTE TIN OVER .000050/(0.00127) MIN. NICKEL OVERALL. GOLD = .000030/(0.00076) MIN. SELECT GOLD, .000100/(0.00254) MIN. SELECT MATTE TIN OVER .000050/(0.00127) MIN. NICKEL OVERALL
 - PRODUCT SPECIFICATION: PS-5556-001.
 - PACKAGING SPECIFICATION: BULK PACK PER PK-5569-002 TRAY PACK PER PK-5569-005
 - PART MATES WITH MOLEX RECEPTACLE 46994 SERIES.
 - PART IS DESIGNED FOR USE WITH #4 OR M3 SELF TAPPING SCREWS.
 - DISCOLORATION IN THE BANDOLIER CARRIER AREA OF THE PIN IS INHERENT TO THE PLATING PROCESS AND IS DUE TO THE MASKING EFFECT OF THE CARRIER. THIS DISCOLORATION IS IN A NON-FUNCTIONAL AREA OF THE PIN AND WILL NOT AFFECT THE PERFORMANCE OF THE HEADER ASSEMBLY.
 - CONNECTORS ARE NOT TO BE MATED AND UNMATED WHILE CIRCUITS ARE LIVE.
 - PARTS ARE NOT DESIGNED FOR CURRENT SHARING.
 - PART CONFORMS TO CLASS "B" REQUIREMENTS OF COSMETIC SPECIFICATION PS-45499-002. WITH THE EXCEPTION OF DISCOLORATION, FLASH AND SINK MEET CLASS "C" REQUIREMENTS.
 - FORMING MARKS ON PINS ARE ACCEPTABLE



THIS DRAWING CONTAINS INFORMATION THAT IS PROPRIETARY TO MOLEX ELECTRONIC TECHNOLOGIES, LLC AND SHOULD NOT BE USED WITHOUT WRITTEN PERMISSION										
DIMENSION UNITS	SCALE	CURRENT REV DESC:								
INCH/MM	NTS	<p>EC NO: 777582</p> <p>4 PLACES ± 2024/02/20</p> <p>3 PLACES ± 2024/02/22</p> <p>2 PLACES ± 0.38 2024/02/22</p> <p>1 PLACE ± INITIAL REVISION:</p> <p>0 PLACES ± DRWN: NNGUYEN 2014/04/11</p> <p>APPR: FSMITH 2014/05/16</p>								
GENERAL TOLERANCES (UNLESS SPECIFIED)										
ANGULAR TOL ± 3.0°										
4 PLACES ±										
3 PLACES ±										
2 PLACES ± 0.38		DRWN: JERRYW8 2024/02/20		CHK'D: XQZHANG 2024/02/22		APPR: XQZHANG 2024/02/22				
1 PLACE ±		DRWN: NNGUYEN 2014/04/11		APPR: FSMITH 2014/05/16		INITIAL REVISION:				
0 PLACES ±		DRWN: NNGUYEN 2014/04/11		APPR: FSMITH 2014/05/16		INITIAL REVISION:				
DRAFT WHERE APPLICABLE MUST REMAIN WITHIN DIMENSIONS		THIRD ANGLE PROJECTION	DRAWING	SERIES	MATERIAL NUMBER	CUSTOMER	DOCUMENT NUMBER	DOC TYPE	DOC PART	REVISION
			A2-SIZE	172648	SEE CHART	GENERAL MARKET	SD-172648-0000	PSD	001	B2

DOCUMENT STATUS	P1	RELEASE DATE	2024/02/22	08:03:45
-----------------	----	--------------	------------	----------