

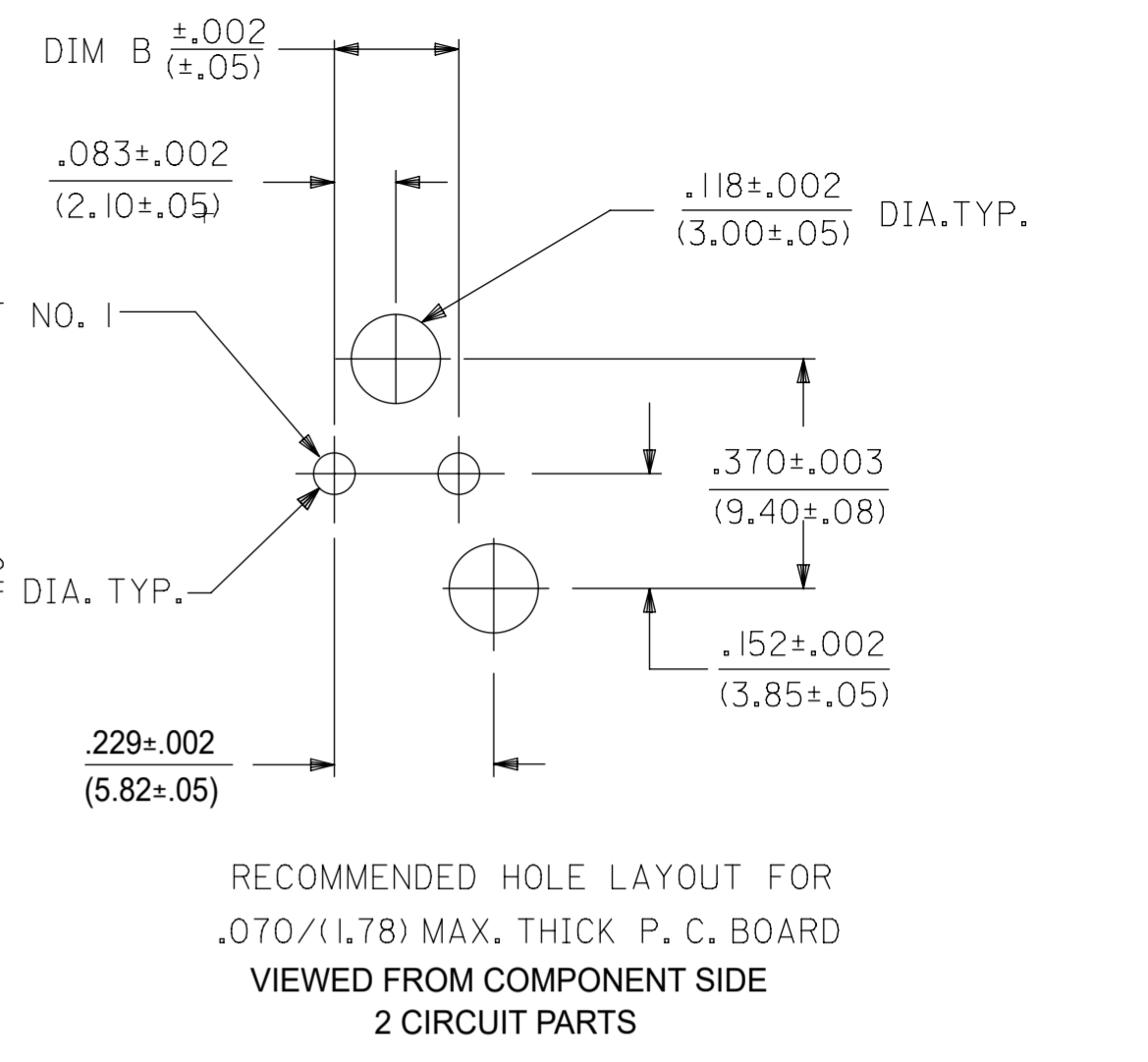
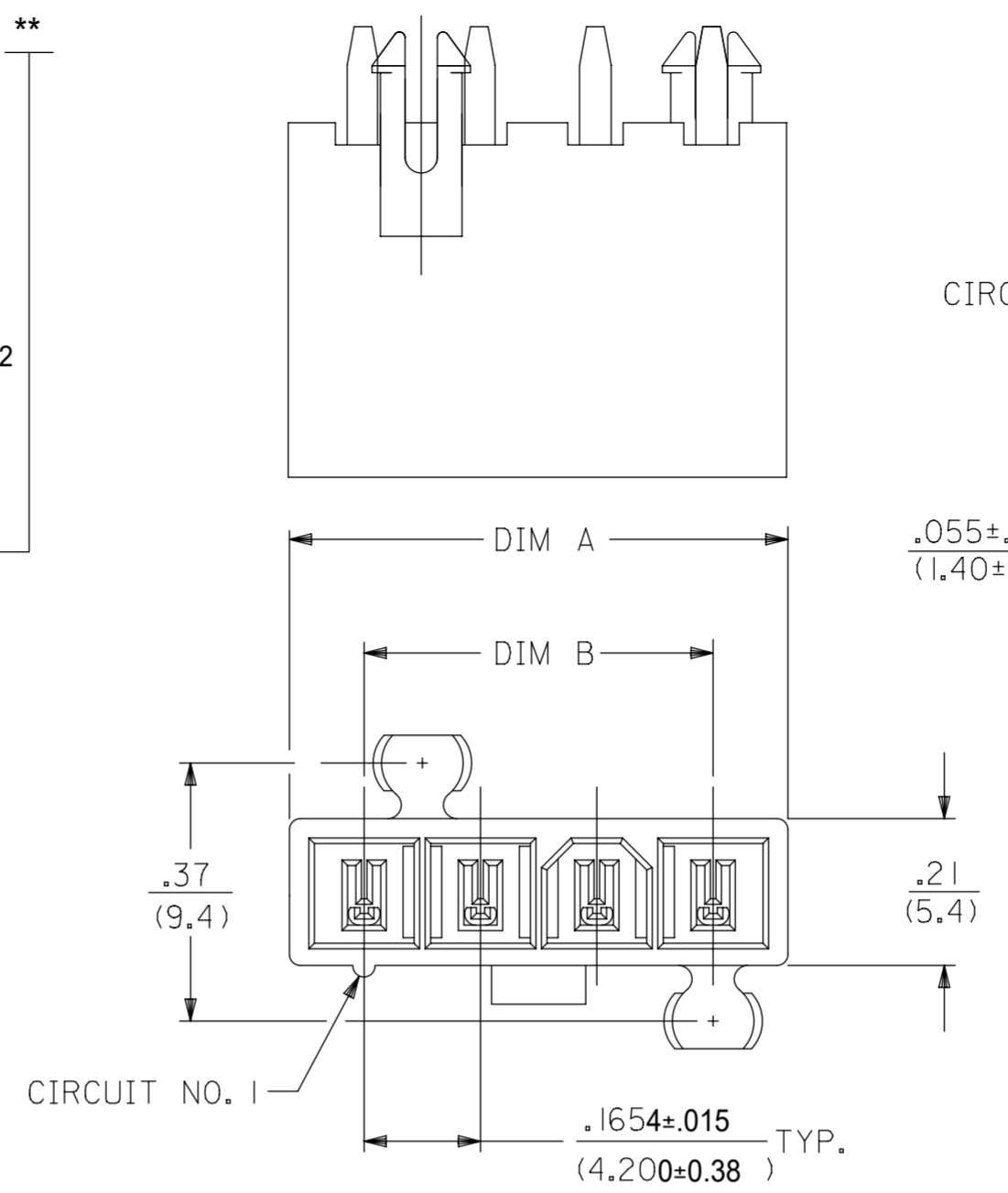
- NOTES:
- MATERIALS:**
HOUSING:
 NYLON, UL94 V-2, COLOR: SEE CHARTS, IEC 60335-1, 5th EDITION GLOW WIRE CAPABLE
 NYLON, UL94 V-0, COLOR: SEE CHARTS, IEC 60335-1, 5th EDITION GLOW WIRE CAPABLE
TERMINALS:
 BRASS
 - TERMINAL PLATING:**
 GOLD = .000030/(0.00076) MIN. SELECT GOLD AND .000100/(0.00254) MIN. SELECT MATTE TIN OVER .000050/(0.00127) MIN. NICKEL OVERALL
 TIN = .000100/(0.00254) MIN. MATTE TIN OVER .000050/(0.00127) MIN. NICKEL
 - PRODUCT SPECIFICATION:** PS-5556-001
 - PACKAGING:** TRAY PACKED PER PK-5566-002
 - PART MATES WITH MINI-FIT JR. RECEPTACLE NO. 46994.**
 - 5 CIRCUIT PARTS HAVE PEG DESIGN B. ALL OTHER CIRCUIT SIZES HAVE PEG DESIGN A.**
 - PART IS NOT DESIGNED FOR CURRENT SHARING.**
 - PARTS ARE NOT DESIGNED TO BE MATED OR UN-MATED WHILE CIRCUITS ARE LIVE.**
 - PART CONFORMS TO CLASS "B" REQUIREMENTS OF COSMETIC SPECIFICATION PS-45499-002 WITH THE EXCEPTION OF DISCOLORATION, FLASH AND SINK ON THE HOUSING MEET CLASS "C" REQUIREMENTS.**

172647 - * * **

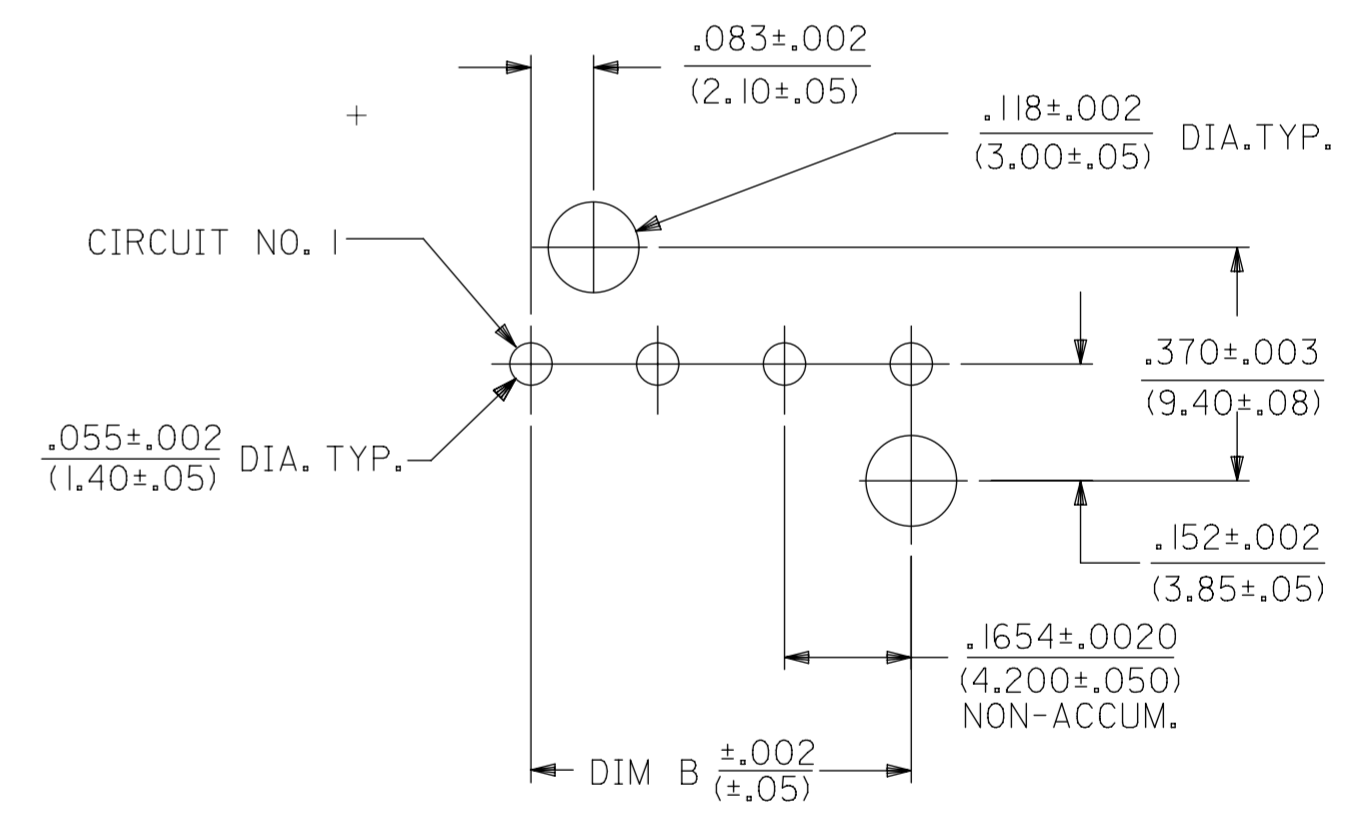
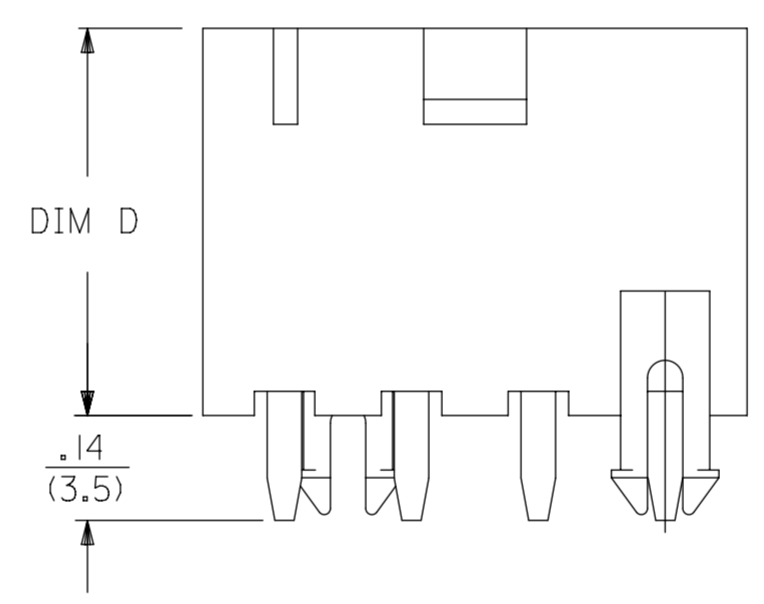
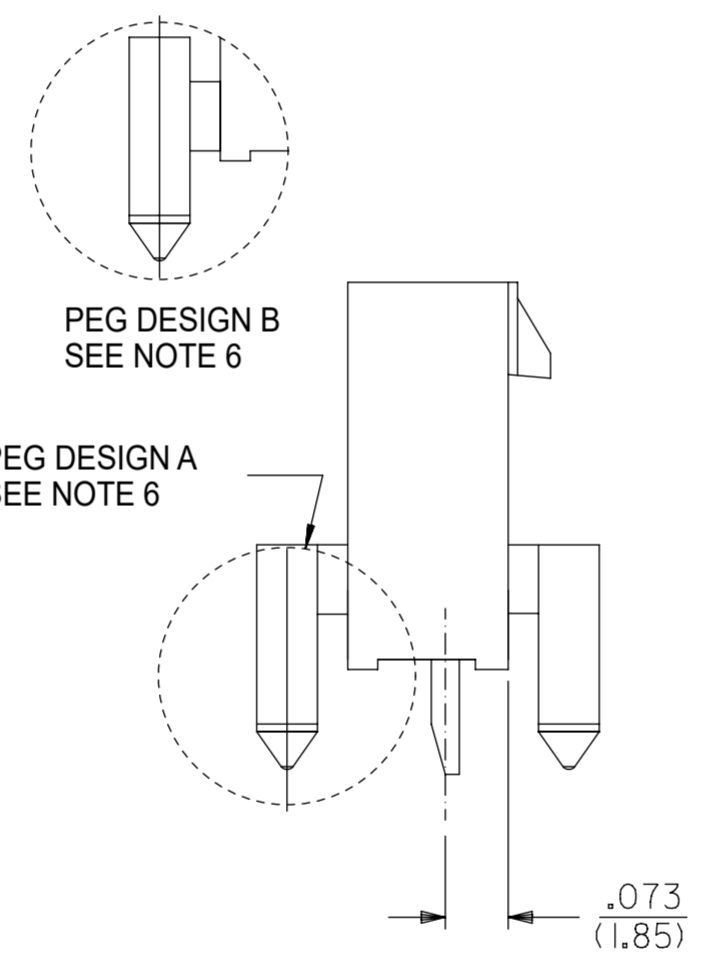
PLATING
SEE NOTE 2
0 = TIN
1 = GOLD

ASSEMBLY TYPE
0 = SINGLE ROW W/ PEGS
COLOR = NATURAL (BEIGE) /UL94 V-2
1 = SINGLE ROW W/ PEGS
COLOR = BLACK / UL94 V-2
2 = SINGLE ROW W/ PEGS
COLOR = BLACK / UL94 V-0

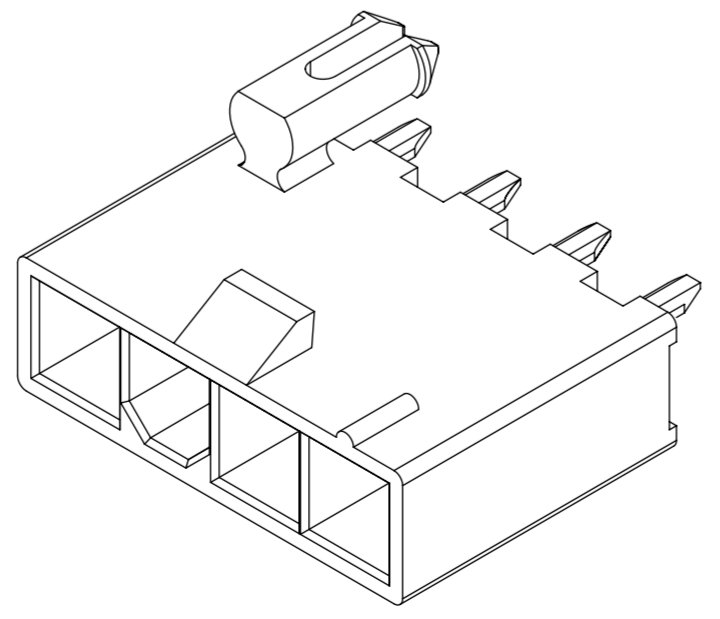
CIRCUIT SIZE



PART NUMBER	CKT SIZE	PLATING SEE NOTE 2	COLOR
172647-0002	2	TIN	NATURAL(BEIGE) UL94V-2
172647-0003	3		
172647-0004	4		
172647-0005	5		
172647-0006	6		
172647-1002	2		
172647-1003	3		
172647-1004	4		
172647-1005	5		
172647-1006	6		
172647-0102	2	TIN	BLACK UL94 V-2
172647-0103	3		
172647-0104	4		
172647-0105	5		
172647-0106	6		
172647-1102	2		
172647-1103	3		
172647-1104	4		
172647-1105	5		
172647-1106	6		
172647-0202	2	TIN	BLACK UL94 V-0
172647-0203	3		
172647-0204	4		
172647-0205	5		
172647-0206	6		
172647-1202	2		
172647-1203	3		
172647-1204	4		
172647-1205	5		
172647-1206	6		



CKT SIZE	DIM A	DIM B	DIM D
2	$.38$ (9.6)	$.165$ (4.20)	$.50$ (12.8)
3	$.54$ (13.8)	$.331$ (8.40)	$.49$ (12.5)
4	$.71$ (18.0)	$.496$ (12.60)	$.50$ (12.8)
5	$.87$ (22.2)	$.661$ (16.80)	$.50$ (12.8)
6	1.04 (26.4)	$.827$ (21.00)	$.50$ (12.8)



THIS DRAWING CONTAINS INFORMATION THAT IS PROPRIETARY TO MOLEX ELECTRONIC TECHNOLOGIES, LLC AND SHOULD NOT BE USED WITHOUT WRITTEN PERMISSION

DIMENSION UNITS	SCALE	CURRENT REV DESC:	
INCH/MM	NTS		
GENERAL TOLERANCES (UNLESS SPECIFIED)			
ANGULAR TOL	$\pm 0.5^\circ$		
4 PLACES	\pm	EC NO: 777582	2024/02/20
3 PLACES	\pm	DRWN: JERRYW8	2024/02/22
2 PLACES	± 0.38	CHK'D: XQZHANG	2024/02/22
1 PLACE	± 0.5	APPR: XQZHANG	2024/02/22
0 PLACES	\pm	INITIAL REVISION:	
		DRWN: NNGUYEN	2014/04/22
		APPR: FSMITH	2014/05/16
DRAFT WHERE APPLICABLE MUST REMAIN WITHIN DIMENSIONS	THIRD ANGLE PROJECTION	DRAWING	SERIES
		A2-SIZE	172647
DOCUMENT STATUS		MATERIAL NUMBER	CUSTOMER
RELEASE DATE		SEE CHART	GENERAL MARKET
		DOC NUMBER	DOC TYPE DOC PART REVISION
		SD-172647-0000	PSD 001 A4
		SHEET NUMBER	
		1 OF 1	