

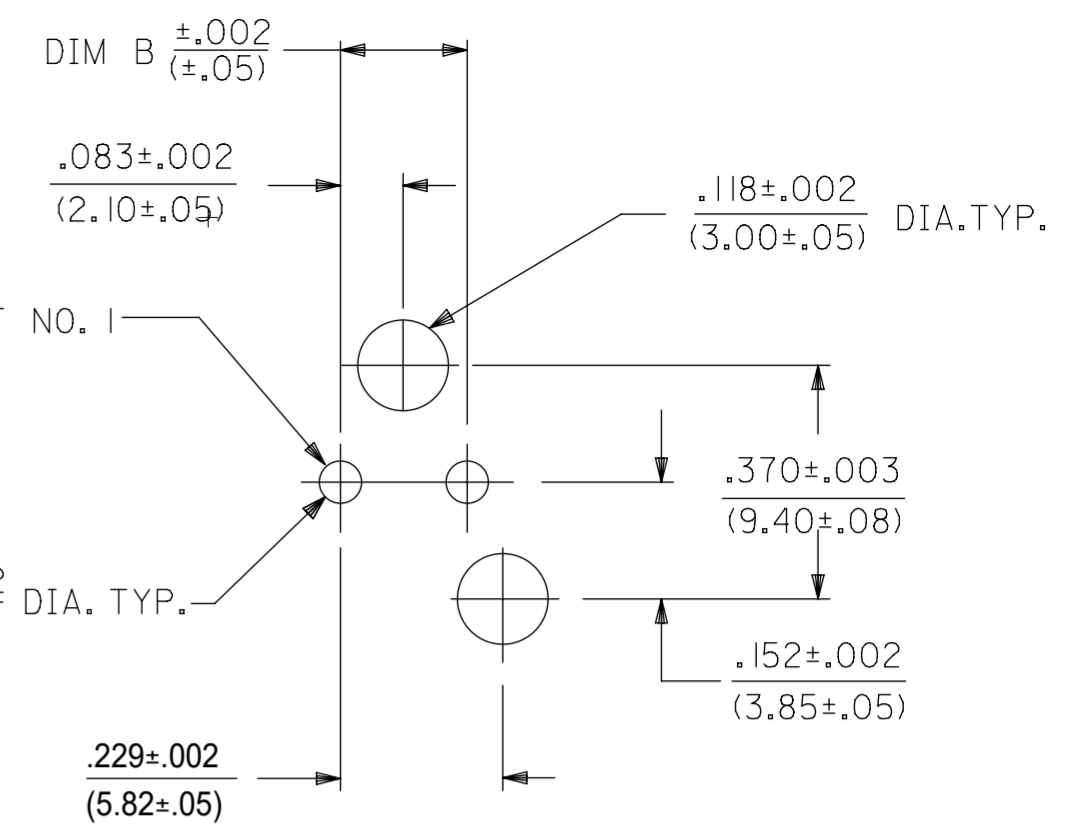
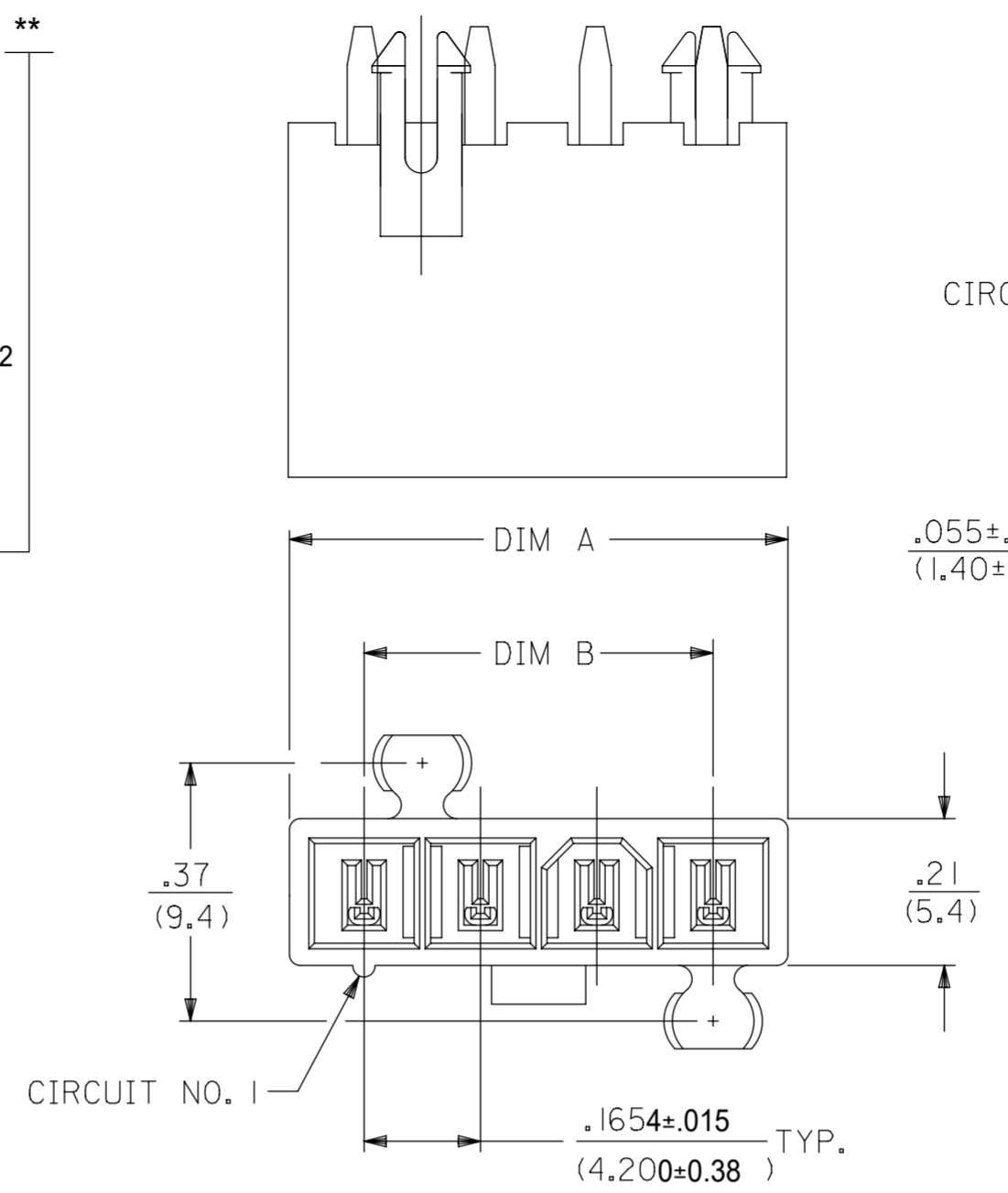
- NOTES:
- MATERIALS:
HOUSING:
NYLON, UL94 V-2, COLOR: SEE CHARTS, IEC 60335-1, 5th EDITION GLOW WIRE CAPABLE
NYLON, UL94 V-0, COLOR: SEE CHARTS, IEC 60335-1, 5th EDITION GLOW WIRE CAPABLE
TERMINALS:
BRASS
 - TERMINAL PLATING:
GOLD = .000030/(0.00076) MIN. SELECT GOLD AND .000100/(0.00254) MIN. SELECT MATTE TIN OVER .000050/(0.00127) MIN. NICKEL OVERALL
TIN = .000100/(0.00254) MIN. MATTE TIN OVER .000050/(0.00127) MIN. NICKEL
 - PRODUCT SPECIFICATION: PS-5556-001
 - PACKAGING: TRAY PACKED PER PK-5566-002
 - PART MATES WITH MINI-FIT JR. RECEPTACLE NO. 46994.
 - 5 CIRCUIT PARTS HAVE PEG DESIGN B. ALL OTHER CIRCUIT SIZES HAVE PEG DESIGN A.
 - PART IS NOT DESIGNED FOR CURRENT SHARING.
 - PARTS ARE NOT DESIGNED TO BE MATED OR UN-MATED WHILE CIRCUITS ARE LIVE.
 - PART CONFORMS TO CLASS "B" REQUIREMENTS OF COSMETIC SPECIFICATION PS-45499-002 WITH THE EXCEPTION OF DISCOLORATION, FLASH AND SINK ON THE HOUSING MEET CLASS "C" REQUIREMENTS.

172647 - * * **

PLATING
SEE NOTE 2
0 = TIN
1 = GOLD

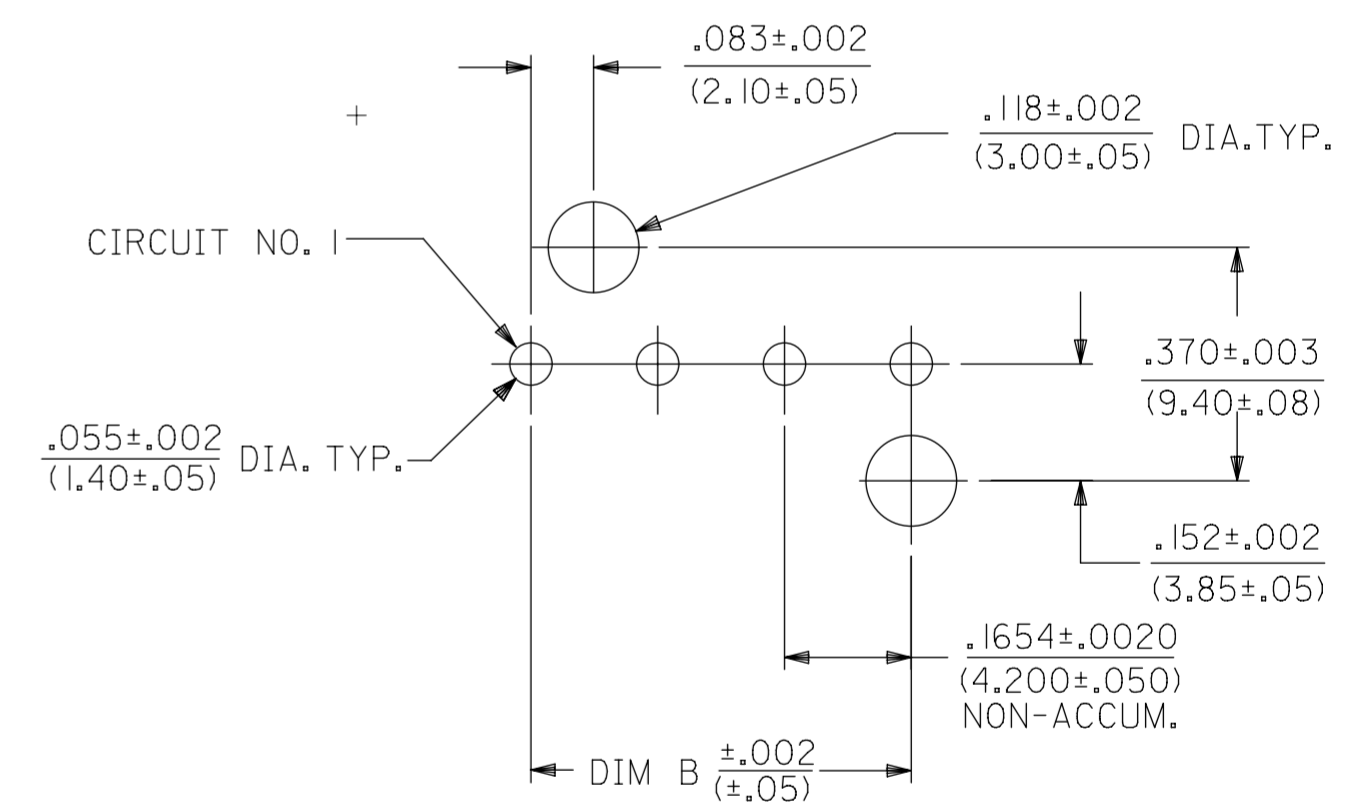
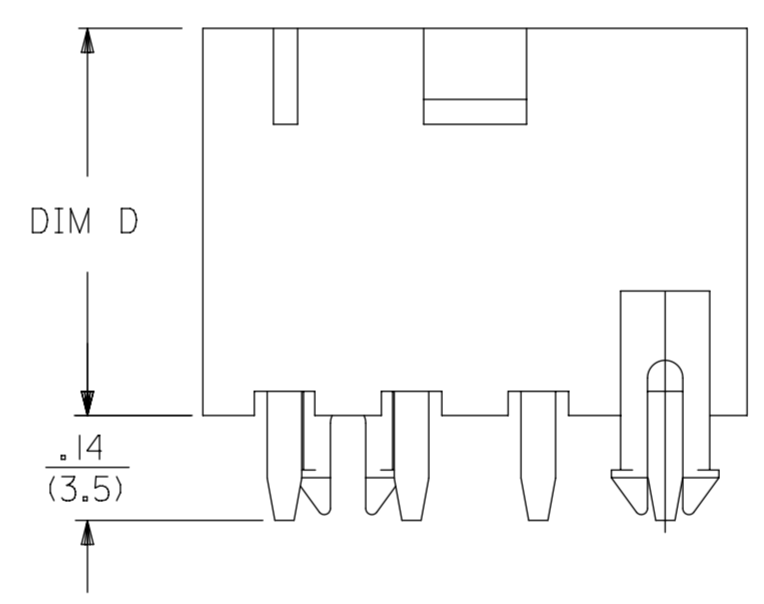
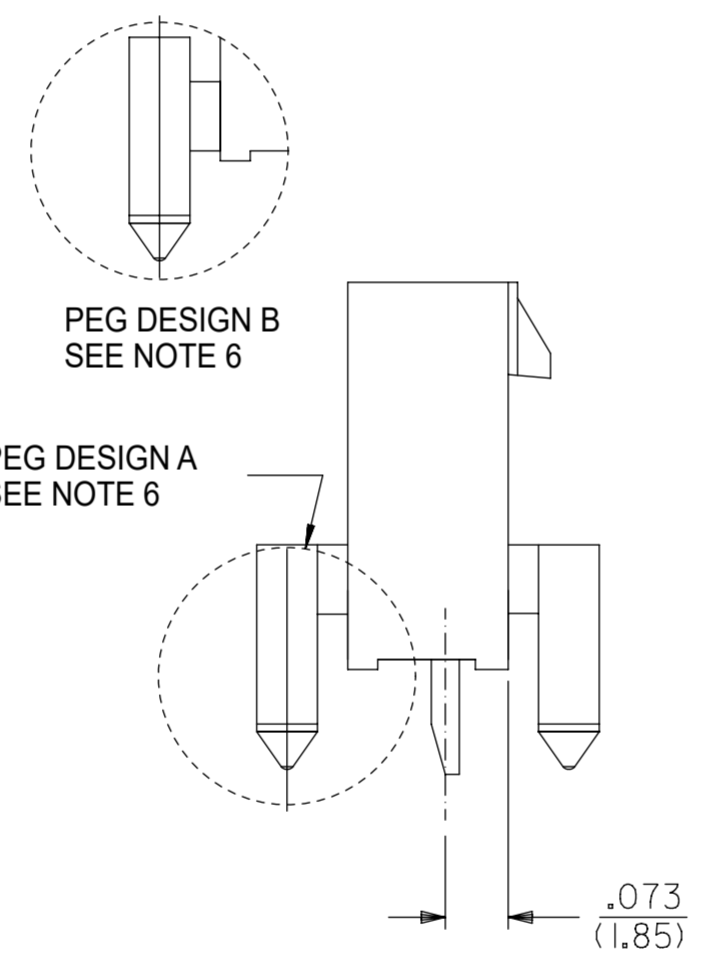
ASSEMBLY TYPE
0 = SINGLE ROW W/ PEGS
COLOR = NATURAL (BEIGE) /UL94 V-2
1 = SINGLE ROW W/ PEGS
COLOR = BLACK / UL94 V-2
2 = SINGLE ROW W/ PEGS
COLOR = BLACK / UL94 V-0

CIRCUIT SIZE



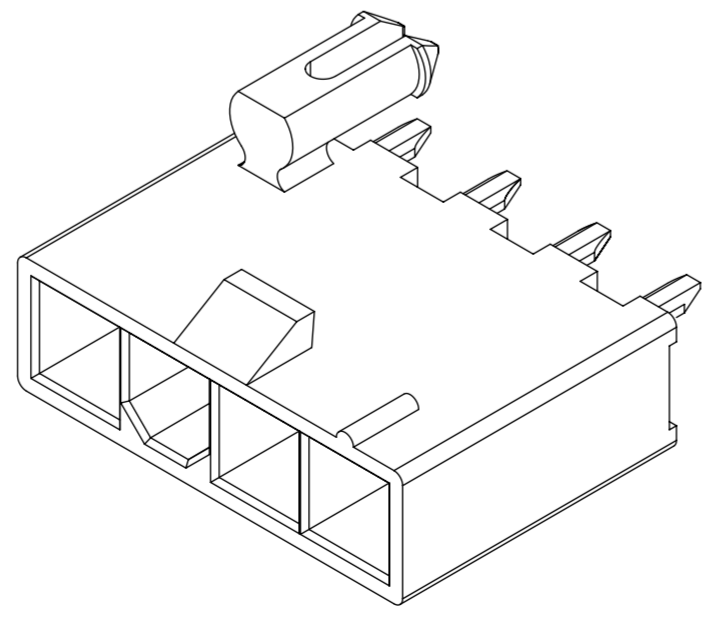
RECOMMENDED HOLE LAYOUT FOR
.070/(1.78) MAX. THICK P. C. BOARD
VIEWED FROM COMPONENT SIDE
2 CIRCUIT PARTS

| PART NUMBER | CKT SIZE | PLATING SEE NOTE 2 | COLOR |
|-------------|----------|--------------------|---------------------------|
| 172647-0002 | 2 | TIN | NATURAL(BEIGE) UL94V-2 |
| 172647-0003 | 3 | | |
| 172647-0004 | 4 | | |
| 172647-0005 | 5 | | |
| 172647-0006 | 6 | | |
| 172647-1002 | 2 | | |
| 172647-1003 | 3 | | |
| 172647-1004 | 4 | | |
| 172647-1005 | 5 | | |
| 172647-1006 | 6 | | |
| 172647-0102 | 2 | TIN | BLACK UL94 V-2 |
| 172647-0103 | 3 | | |
| 172647-0104 | 4 | | |
| 172647-0105 | 5 | | |
| 172647-0106 | 6 | | |
| 172647-1102 | 2 | | |
| 172647-1103 | 3 | | |
| 172647-1104 | 4 | | |
| 172647-1105 | 5 | | |
| 172647-1106 | 6 | | |
| 172647-0202 | 2 | TIN | BLACK UL94 V-0 |
| 172647-0203 | 3 | | |
| 172647-0204 | 4 | | |
| 172647-0205 | 5 | | |
| 172647-0206 | 6 | | |
| 172647-1202 | 2 | | |
| 172647-1203 | 3 | | |
| 172647-1204 | 4 | | |
| 172647-1205 | 5 | | |
| 172647-1206 | 6 | | |



RECOMMENDED HOLE LAYOUT FOR
.070/(1.78) MAX. THICK P. C. BOARD
VIEWED FROM COMPONENT SIDE
3-6 CIRCUIT PARTS

| CKT SIZE | DIM A | DIM B | DIM D |
|----------|-------------|--------------|------------|
| 2 | .38 (9.6) | .165 (4.20) | .50 (12.8) |
| 3 | .54 (13.8) | .331 (8.40) | .49 (12.5) |
| 4 | .71 (18.0) | .496 (12.60) | .50 (12.8) |
| 5 | .87 (22.2) | .661 (16.80) | .50 (12.8) |
| 6 | 1.04 (26.4) | .827 (21.00) | .50 (12.8) |



THIS DRAWING CONTAINS INFORMATION THAT IS PROPRIETARY TO MOLEX ELECTRONIC TECHNOLOGIES, LLC AND SHOULD NOT BE USED WITHOUT WRITTEN PERMISSION

| | | | | | | |
|--|------------------------|-------------------|--------------------------|----------------|--------------|--|
| DIMENSION UNITS INCH/MM | SCALE NTS | CURRENT REV DESC: | molex | | | |
| GENERAL TOLERANCES (UNLESS SPECIFIED) | ANGULAR TOL ± 0.5° | EC NO: 777582 | | | | |
| 4 PLACES ± | DRWN: JERRYW8 | 2024/02/20 | PRODUCT CUSTOMER DRAWING | | | |
| 3 PLACES ± | CHK'D: XQZHANG | 2024/02/22 | DOCUMENT NUMBER | | | |
| 2 PLACES ± 0.38 | APPR: XQZHANG | 2024/02/22 | DOC TYPE | | | |
| 1 PLACE ± 0.5 | INITIAL REVISION: | | DOC PART | | | |
| 0 PLACES ± | DRWN: NNGUYEN | 2014/04/22 | REVISION | | | |
| DRAFT WHERE APPLICABLE MUST REMAIN WITHIN DIMENSIONS | THIRD ANGLE PROJECTION | APPR: FSMITH | SD-172647-0000 | | | |
| | DRAWING | SERIES | MATERIAL NUMBER | CUSTOMER | SHEET NUMBER | |
| | A2-SIZE | 172647 | SEE CHART | GENERAL MARKET | 1 OF 1 | |

| DOCUMENT STATUS | RELEASE DATE |
|-----------------|--------------|
| | |