

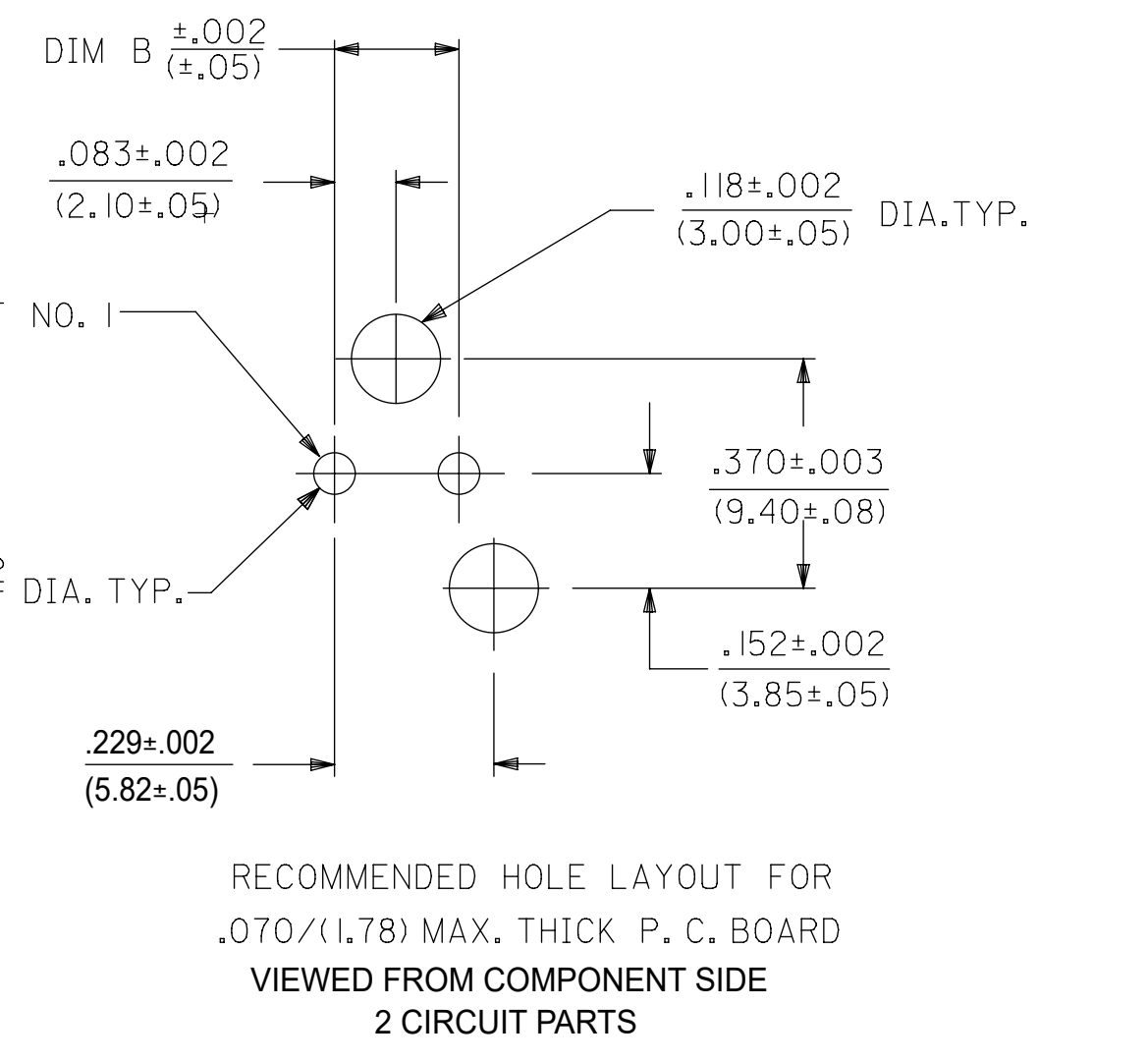
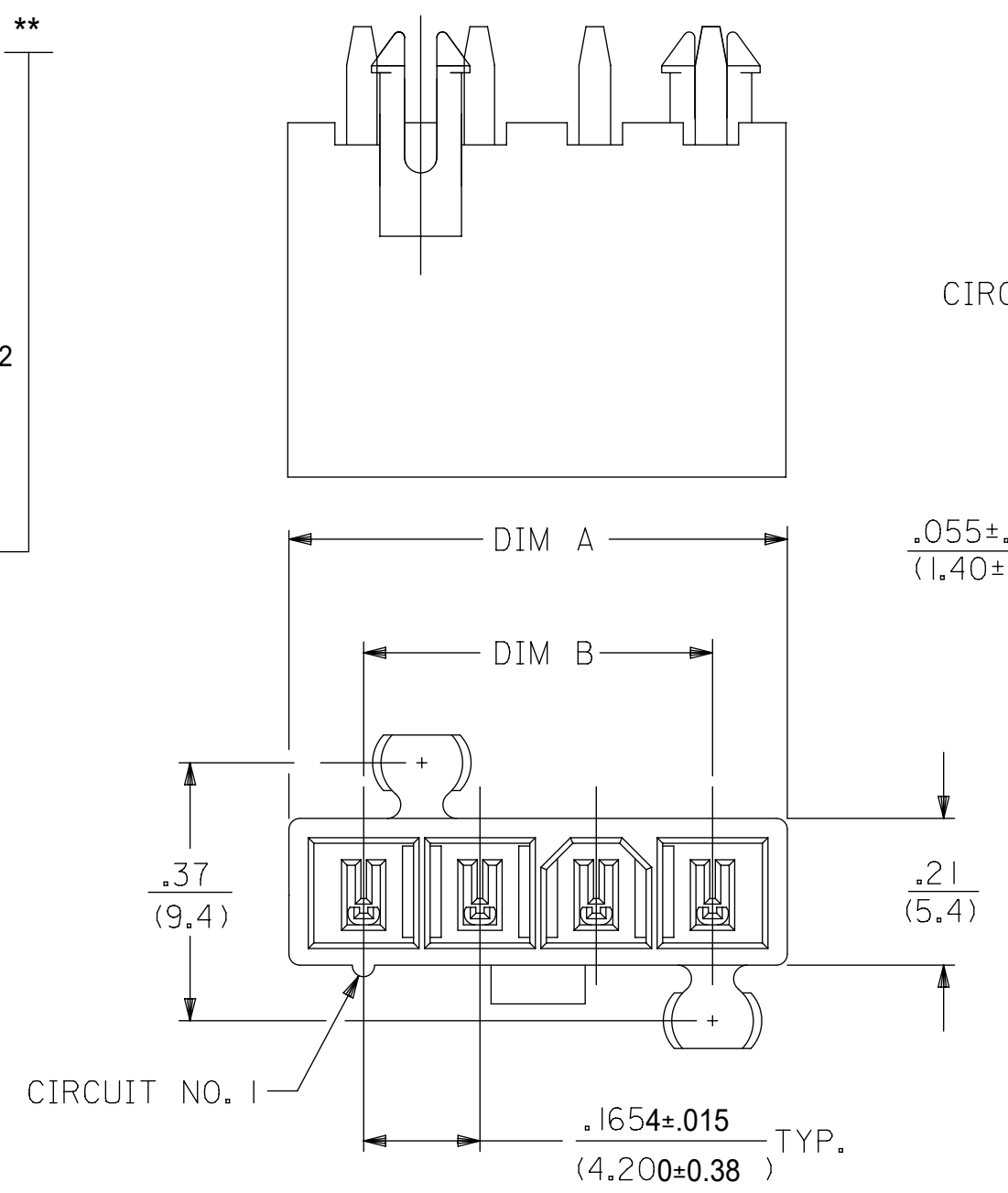
- NOTES:
- MATERIALS:**  
**HOUSING:**  
 NYLON, UL94 V-2, COLOR: SEE CHARTS, IEC 60335-1, 5th EDITION GLOW WIRE CAPABLE  
 NYLON, UL94 V-0, COLOR: SEE CHARTS, IEC 60335-1, 5th EDITION GLOW WIRE CAPABLE  
**TERMINALS:**  
 BRASS
  - TERMINAL PLATING:**  
 GOLD = .000030/(0.00076) MIN. SELECT GOLD AND .000100/(0.00254) MIN. SELECT MATTE TIN OVER .000050/(0.00127) MIN. NICKEL OVERALL  
 TIN = .000100/(0.00254) MIN. MATTE TIN OVER .000050/(0.00127) MIN. NICKEL
  - PRODUCT SPECIFICATION:** PS-5556-001
  - PACKAGING:** TRAY PACKED PER PK-5566-002
  - PART MATES WITH MINI-FIT JR. RECEPTACLE NO. 46994.**
  - 5 CIRCUIT PARTS HAVE PEG DESIGN B. ALL OTHER CIRCUIT SIZES HAVE PEG DESIGN A.**
  - PART IS NOT DESIGNED FOR CURRENT SHARING.**
  - PARTS ARE NOT DESIGNED TO BE MATED OR UN-MATED WHILE CIRCUITS ARE LIVE.**
  - PART CONFORMS TO CLASS "B" REQUIREMENTS OF COSMETIC SPECIFICATION PS-45499-002 WITH THE EXCEPTION OF DISCOLORATION, FLASH AND SINK ON THE HOUSING MEET CLASS "C" REQUIREMENTS.**

172647 - \* \* \*\*

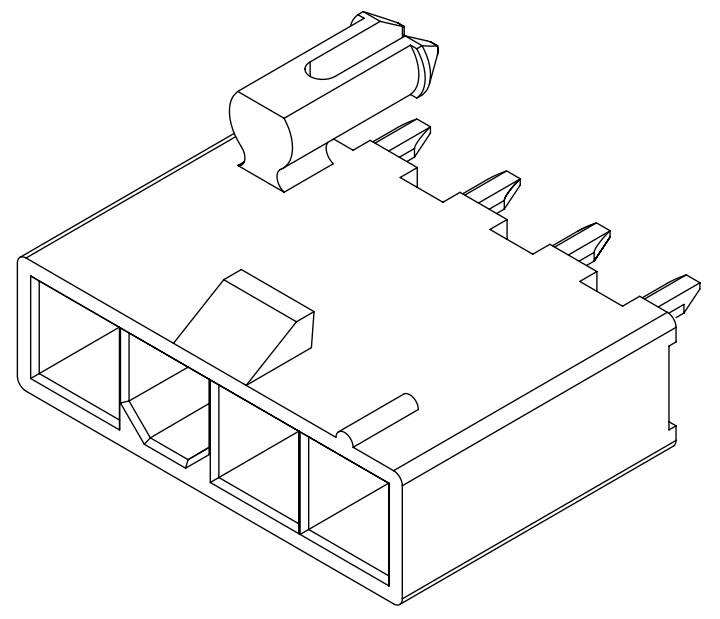
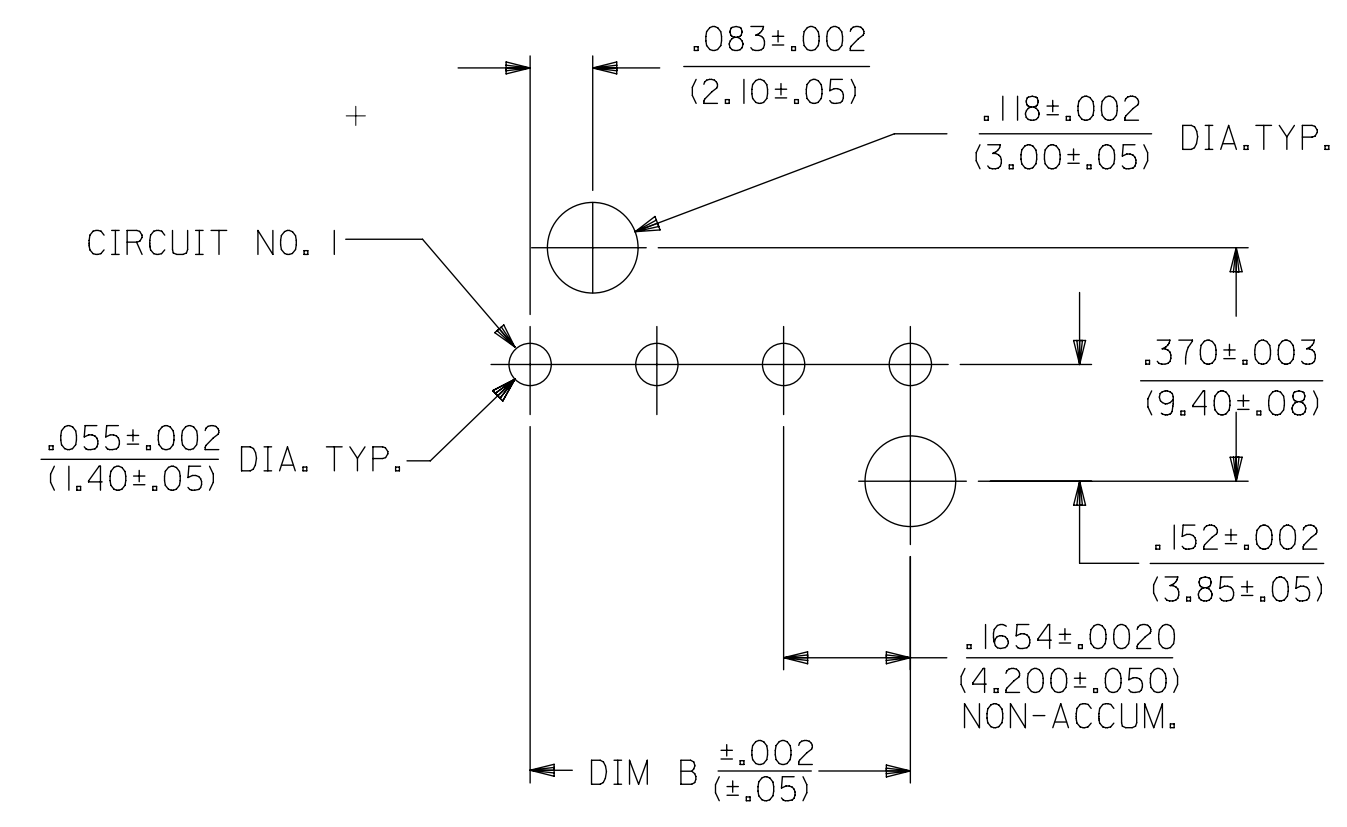
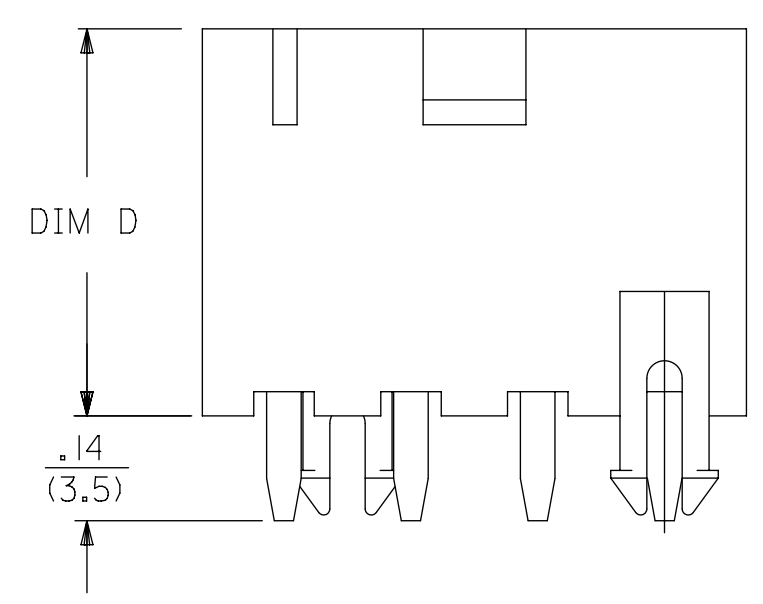
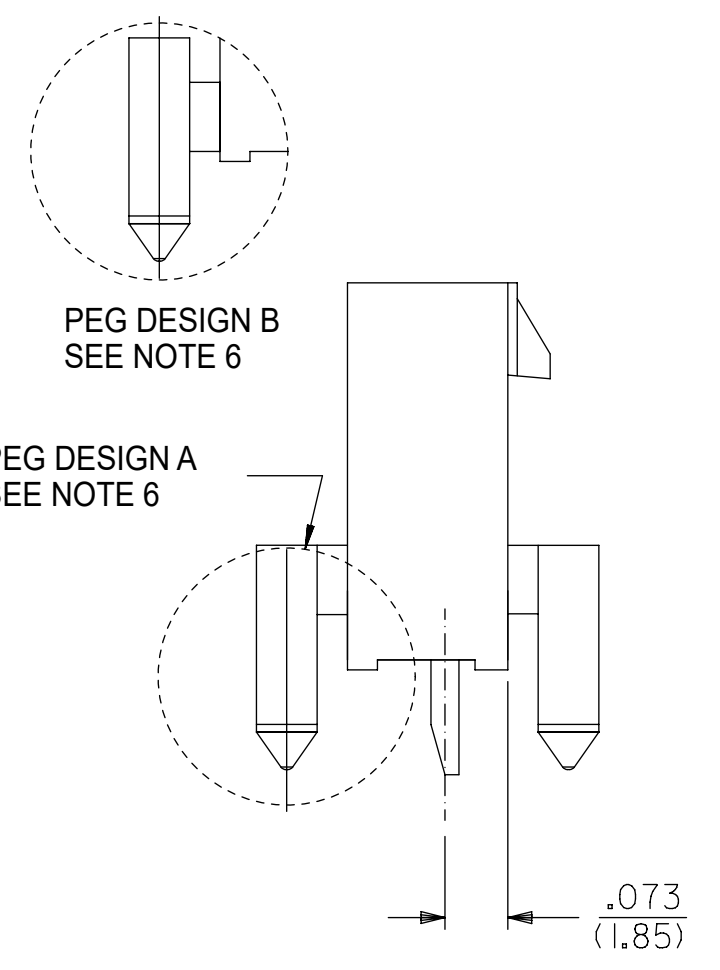
PLATING  
SEE NOTE 2  
0 = TIN  
1 = GOLD

ASSEMBLY TYPE  
0 = SINGLE ROW W/ PEGS  
COLOR = NATURAL (BEIGE) /UL94 V-2  
1 = SINGLE ROW W/ PEGS  
COLOR = BLACK / UL94 V-2  
2 = SINGLE ROW W/ PEGS  
COLOR = BLACK / UL94 V-0

CIRCUIT SIZE



PART NUMBER	CKT SIZE	PLATING SEE NOTE 2	COLOR
172647-0002	2	TIN	NATURAL(BEIGE) UL94V-2
172647-0003	3		
172647-0004	4		
172647-0005	5		
172647-0006	6		
172647-1002	2		
172647-1003	3		
172647-1004	4		
172647-1005	5		
172647-1006	6		
172647-0102	2	TIN	BLACK UL94 V-2
172647-0103	3		
172647-0104	4		
172647-0105	5		
172647-0106	6		
172647-1102	2		
172647-1103	3		
172647-1104	4		
172647-1105	5		
172647-1106	6		
172647-0202	2	TIN	BLACK UL94 V-0
172647-0203	3		
172647-0204	4		
172647-0205	5		
172647-0206	6		
172647-1202	2		
172647-1203	3		
172647-1204	4		
172647-1205	5		
172647-1206	6		



CKT SIZE	DIM A	DIM B	DIM D
2	.38 (9.6)	.165 (4.20)	.50 (12.8)
3	.54 (13.8)	.331 (8.40)	.49 (12.5)
4	.71 (18.0)	.496 (12.60)	.50 (12.8)
5	.87 (22.2)	.661 (16.80)	.50 (12.8)
6	1.04 (26.4)	.827 (21.00)	.50 (12.8)

DOCUMENT STATUS	RELEASE DATE

THIS DRAWING CONTAINS INFORMATION THAT IS PROPRIETARY TO MOLEX ELECTRONIC TECHNOLOGIES, LLC AND SHOULD NOT BE USED WITHOUT WRITTEN PERMISSION

DIMENSION UNITS <b>INCH/MM</b>	SCALE <b>NTS</b>	CURRENT REV DESC:	<b>molex</b>			
GENERAL TOLERANCES (UNLESS SPECIFIED)						
ANGULAR TOL ± 0.5°		EC NO: 777582	MINI-FIT VERT HDR ASSY W/ PEGS SINGLE ROW			
4 PLACES ±		DRWN: JERRYW8 2024/02/20				
3 PLACES ±		CHK'D: XQZHANG 2024/02/22	PRODUCT CUSTOMER DRAWING			
2 PLACES ± 0.38		APPR: XQZHANG 2024/02/22				
1 PLACE ± 0.5		INITIAL REVISION:	DOCUMENT NUMBER	DOC TYPE	DOC PART	REVISION
0 PLACES ±		DRWN: NNGUYEN 2014/04/22	<b>SD-172647-0000</b>	PSD	001	<b>A4</b>
		APPR: FSMITH 2014/05/16				
DRAFT WHERE APPLICABLE MUST REMAIN WITHIN DIMENSIONS	THIRD ANGLE PROJECTION	DRAWING <b>A2-SIZE</b>	SERIES <b>172647</b>	MATERIAL NUMBER SEE CHART	CUSTOMER GENERAL MARKET	SHEET NUMBER 1 OF 1