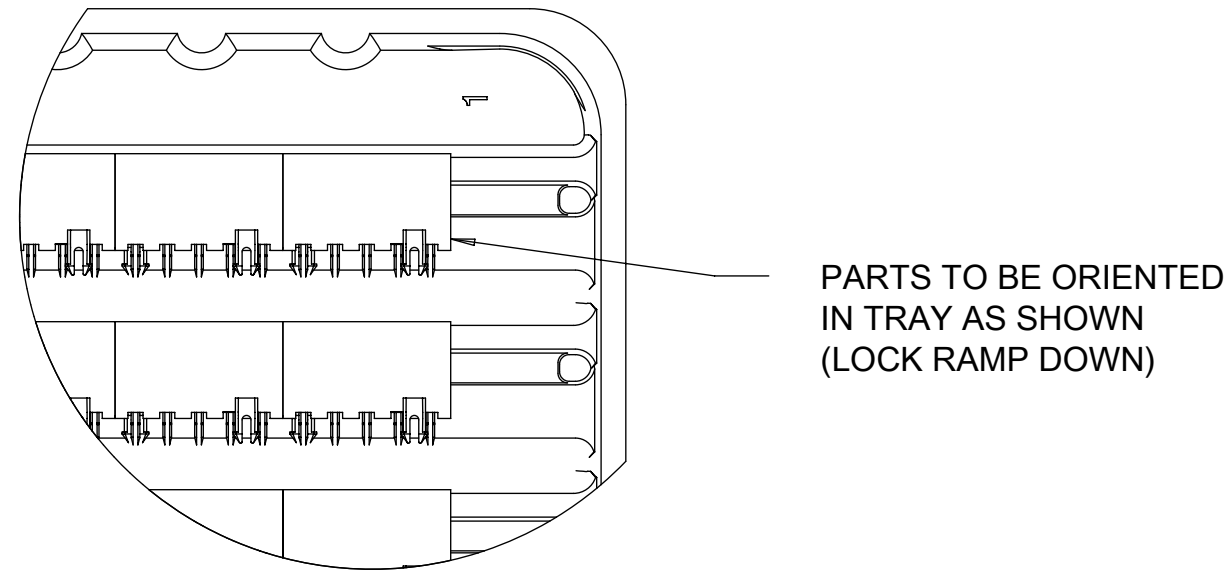
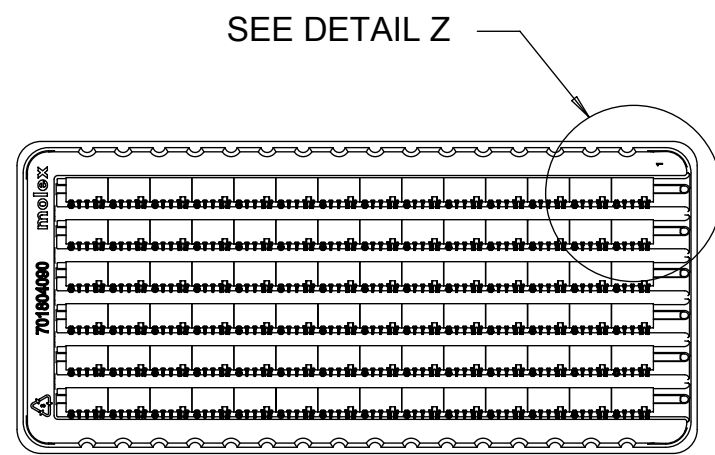


NUMBER OF CIRCUITS	PARTS PER LAYER	TRAYS OF PARTS PER CARTON	PARTS PER CARTON	PARTS PER MASTER CARTON
2	198	11	2178	8712
3	138	11	1518	6072
4	102	11	1122	4488
5	84	11	924	3696
6	72	11	792	3168

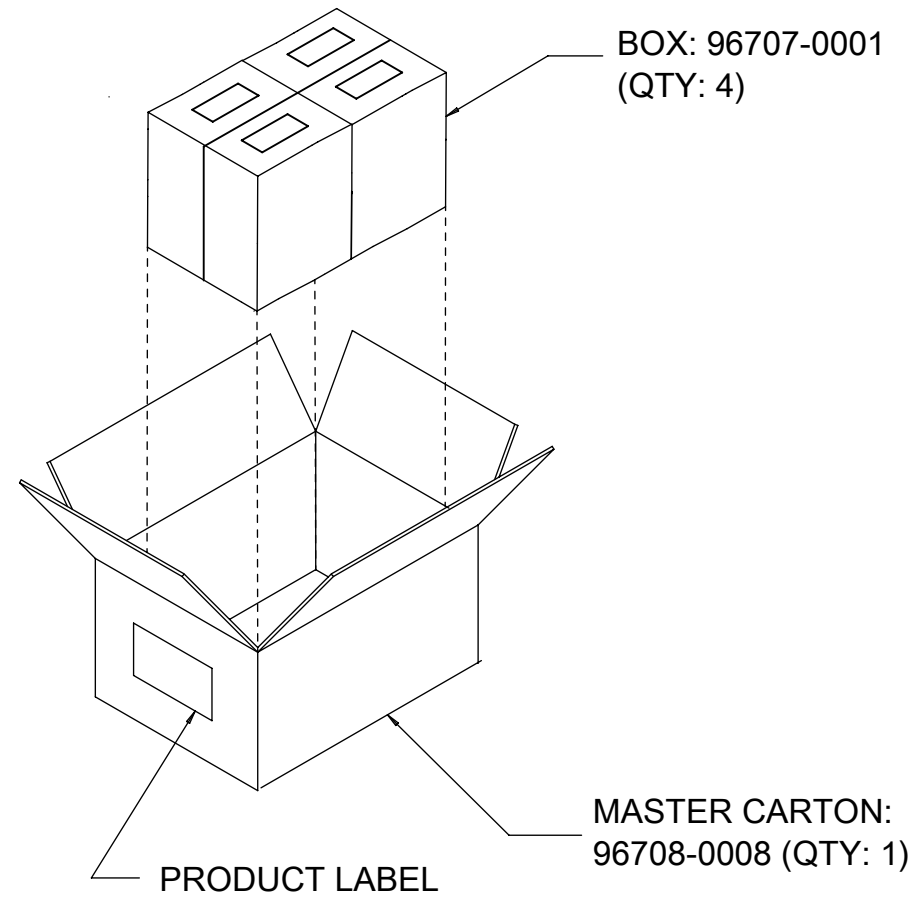


PARTS TO BE ORIENTED IN TRAY AS SHOWN (LOCK RAMP DOWN)

DETAIL Z  
SCALE 1:1



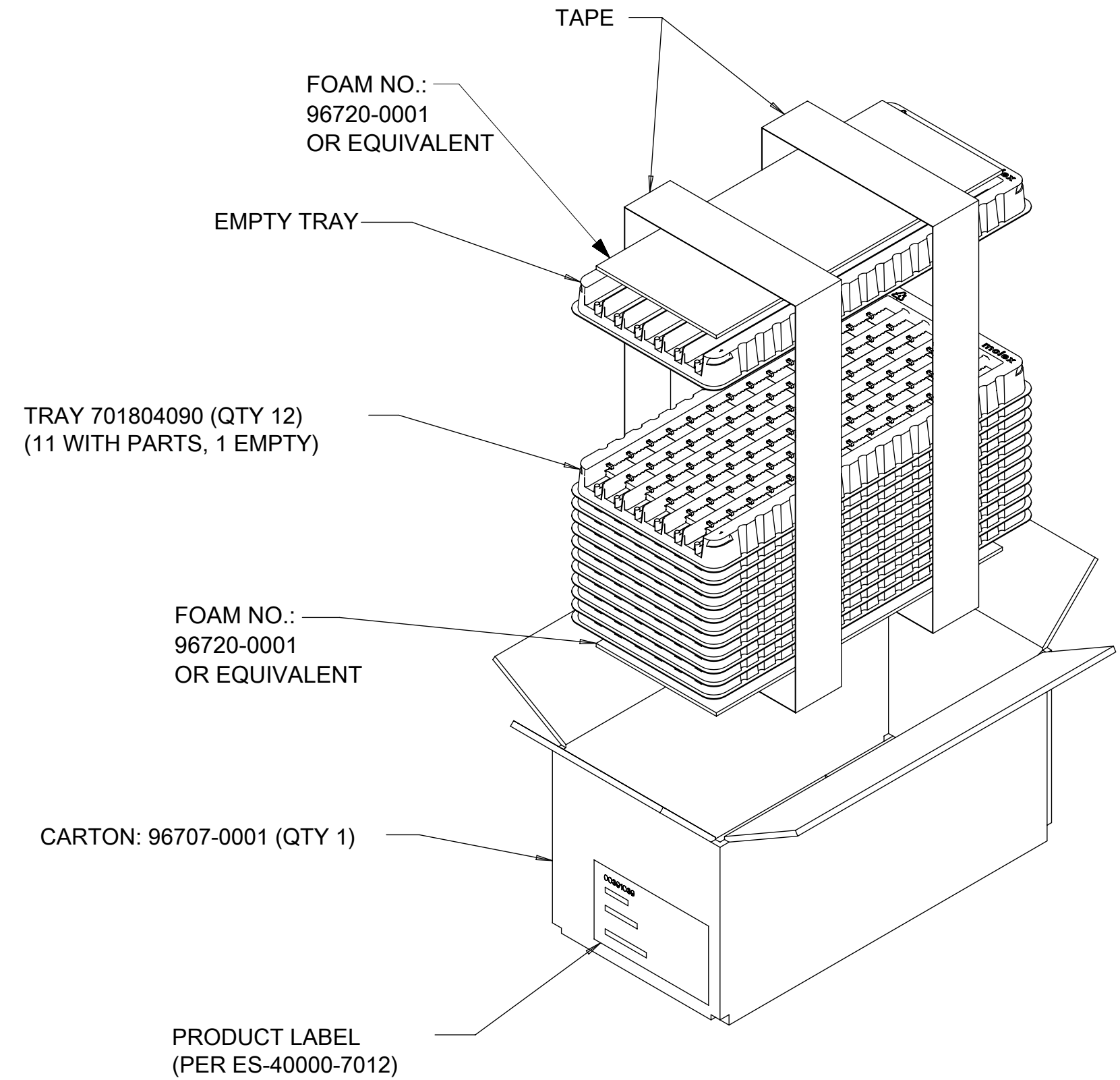
SEE DETAIL Z



BOX: 96707-0001 (QTY: 4)

MASTER CARTON: 96708-0008 (QTY: 1)

PRODUCT LABEL



FOAM NO.: 96720-0001 OR EQUIVALENT

EMPTY TRAY

TRAY 701804090 (QTY 12) (11 WITH PARTS, 1 EMPTY)

FOAM NO.: 96720-0001 OR EQUIVALENT

CARTON: 96707-0001 (QTY 1)

PRODUCT LABEL (PER ES-40000-7012)

NOTES:

1. THIS PACKAGING SPECIFICATION IS FOR MINI-FIT JR. SINGLE ROW VERTICAL HEADER ASSEMBLIES ONLY SERIES NUMBER 5566, 46014, 44472, 1722647, 42382, 43588, 172676.
2. PLACE (1) PIECE FOAM ON TOP OF STACK AND (1) PIECE FOAM BELOW STACK OF (11) FULL TRAYS AND (1) EMPTY TRAY AND TAPE APPROXIMATELY AS SHOWN.
3. OPEN END OF TRAYS TO BE TOWARDS PRODUCT LABEL END OF BOX AS SHOWN
4. CARTONS ARE TO BE SET-UP AND CLOSED WITH TAPE. NO STAPLES ARE TO BE USED IN THE ASSEMBLY OF THIS CARTON.

FUNCTIONAL SYMBOLS	THIS DRAWING CONTAINS INFORMATION THAT IS PROPRIETARY TO MOLEX ELECTRONIC TECHNOLOGIES, LLC AND SHOULD NOT BE USED WITHOUT WRITTEN PERMISSION							
	DIMENSION UNITS	SCALE	CURRENT REV DESC: BOX ORIENTATION CHANGE & SPQ CORRECTION					
$\nabla_A = 0$	mm	1:4	<p><b>molex</b></p> <p>PACKAGING SPECIFICATION MINI-FIT JR. SINGLE ROW VERTICAL HEADERS</p> <p>PACKAGING DESIGN DRAWING</p>					
$\nabla_C = 0$	GENERAL TOLERANCES (UNLESS SPECIFIED)							
$\nabla_P = 0$	ANGULAR TOL $\pm$ °							
DIVISIONAL SYMBOLS	4 PLACES	$\pm$	EC NO: 709751					
	3 PLACES	$\pm$	DRWN: SAMEES	2022/06/06				
	2 PLACES	$\pm$	CHK'D: SAMEES	2022/06/08				
	1 PLACE	$\pm$	APPR: ISHWARG	2022/06/09				
0 PLACES	$\pm$	INITIAL REVISION:	DOCUMENT NUMBER					
		DRWN: LSCHMIDT	2007/09/26	PK-5566-002				
		APPR: FSMITH	2007/09/26		DOC TYPE			
		DRAFT WHERE APPLICABLE MUST REMAIN WITHIN DIMENSIONS	THIRD ANGLE PROJECTION	DRAWING	SERIES	MATERIAL NUMBER	CUSTOMER	SHEET NUMBER
				C-SIZE	5566	SEE TABLE	GENERAL MARKET	1 OF 1

MODEL: EM-5566-002

DOCUMENT STATUS	P1	RELEASE DATE	2022/06/09	12:39:39
-----------------	----	--------------	------------	----------