

6

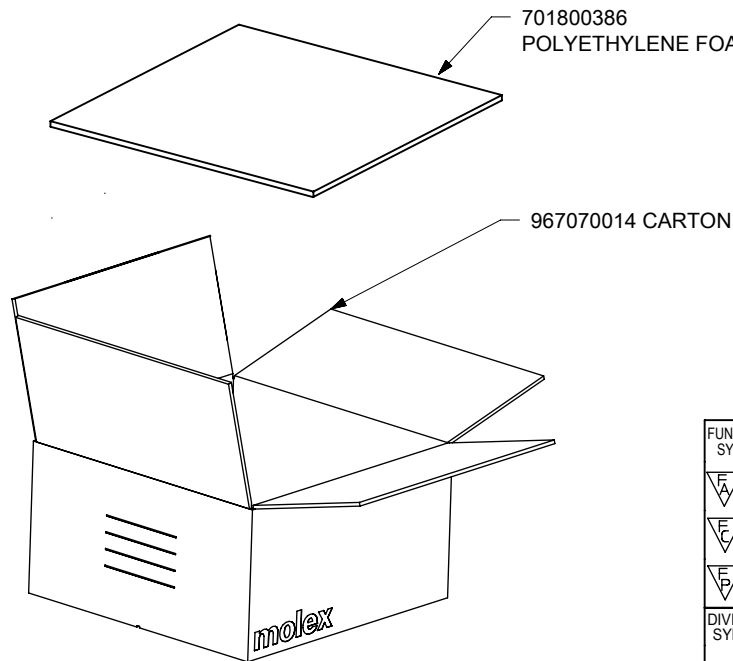
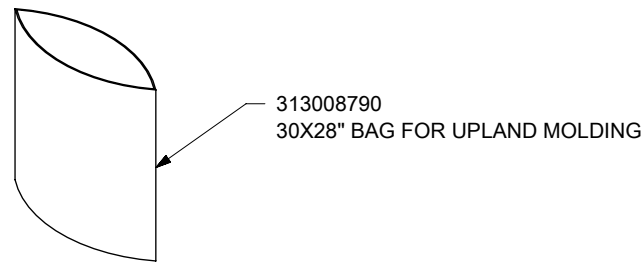
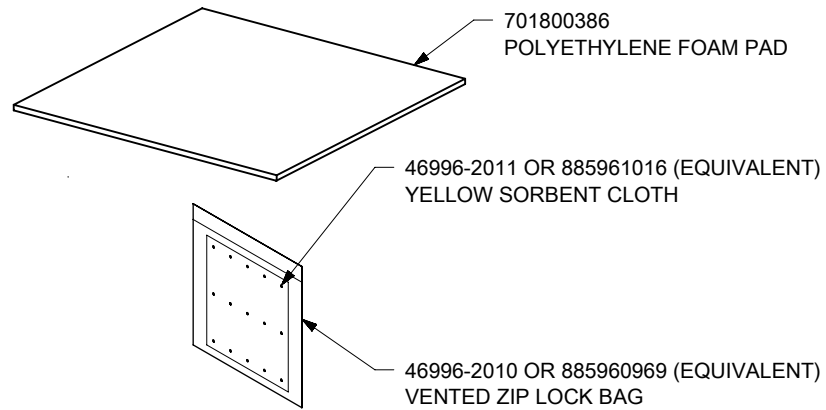
5

4

3

2

1



CKTS	PART NUMBER	PARTS PER BAG	BAGS PER CARTON	SPQ
2	2004882002	4400	1	4400
3	2004882003	3200	1	3200
4	2004882004	2200	1	2200
5	2004882005	2000	1	2000
6	2004882006	1800	1	1800

P/N	Description	Qty
967070014	CARTON	1
313008790	30X28" BAG FOR UPLAND MOLDING	1
46996-2011 OR 885961016	YELLOW SORBENT CLOTH	1
46996-2010 OR 885960969	VENTED ZIP LOCK BAG	1
701800386	POLYETHYLENE FOAM PAD	2

NOTES - PACKAGING PROCEDURE

- PARTS TO BE MOISTURIZED PER AS-45499-001
- WATER IS TO BE ADDED TO THE 46996-2011 (885961016) PAD THAT IS INSIDE A 46996-2010 (885960969) BAG.
- FOLD AND TAPE BOTTOM FLAPS OF CARTON WITH 2" WIDE TAPE PER ES-40000-7013. TAPE SHOULD EXTEND UP SIDES OF CARTON AT LEAST 76 MM (3 INCHES).
- POLYBAGS TO BE FILLED WITH QUANTITY OF PARTS AS SPECIFIED PER CHART.
- CLOSE TOP FLAPS OF CARTON AND TAPE. TAPE SHOULD EXTEND DOWN SIDES OF CARTON AT LEAST 76 MM (3 INCHES).
- ADD LABELS TO CARTONS AS REQUIRED PER ES-40000-7012.
- FOR LARGER SHIPMENTS CARTONS MAY BE LAYERED ON A 1200 X 800 PALLET WITH (6) CARTONS PER LAYER AND A MAXIMUM OF (4) LAYERS.
- CARTONS ON PALLET TO BE UNITIZED WITH BANDING AND STRETCH FILM PER PK-31301-625.
- PUT ONE FOAM PAD ON THE BOTTOM OF THE CARTON, ANOTHER ONE ON THE TOP

FUNCTIONAL SYMBOLS	THIS DRAWING CONTAINS INFORMATION THAT IS PROPRIETARY TO MOLEX ELECTRONIC TECHNOLOGIES, LLC AND SHOULD NOT BE USED WITHOUT WRITTEN PERMISSION		CURRENT REV DESC: NEW RELEASE				
	DIMENSION UNITS	SCALE					
$\frac{F}{A} = 0$	mm	1:1	GENERAL TOLERANCES (UNLESS SPECIFIED)		PK DRAWING OF MINI-FIT SIGMA S/R PANEL MOUNT PLUG HOUSING		
$\frac{F}{E} = 0$	ANGULAR TOL \pm °		4 PLACES \pm				
$\frac{F}{P} = 0$	3 PLACES \pm		2 PLACES \pm		DOCUMENT NUMBER 2004880001-PK		
	2 PLACES \pm		1 PLACE \pm				
	1 PLACE \pm		0 PLACES \pm		MATERIAL NUMBER CUSTOMER SHEET NUMBER SEE TABLE GENERAL MARKET 1 OF 1		
	0 PLACES \pm		DRAFT WHERE APPLICABLE MUST REMAIN WITHIN DIMENSIONS				
			DRAWING SERIES		A4-SIZE 200488		
			MATERIAL NUMBER CUSTOMER SHEET NUMBER				
			DRAWING SERIES		A4-SIZE 200488		
			MATERIAL NUMBER CUSTOMER SHEET NUMBER				

DOCUMENT STATUS P1 RELEASE DATE 2020/12/22 20:12:43

6

5

4

3

2

1

FORMAT: master-ib-prod-A4
REVISION: J
DATE: 2020/01/14