

6

5

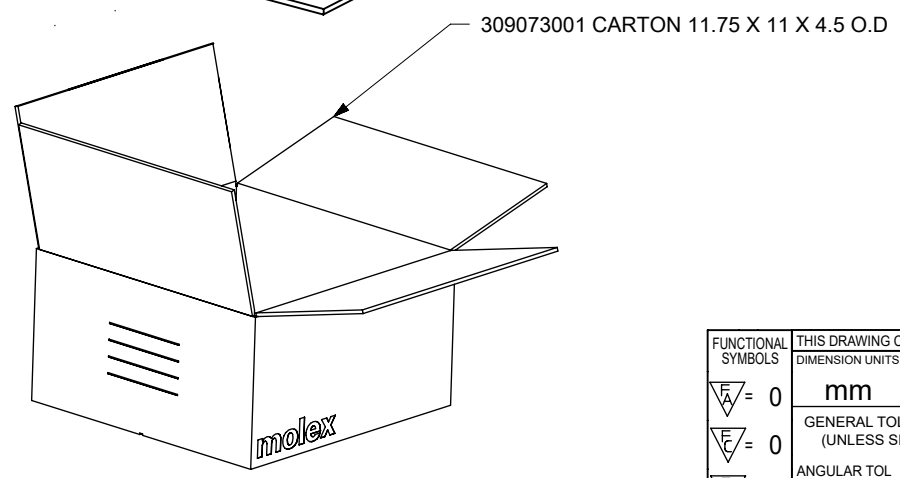
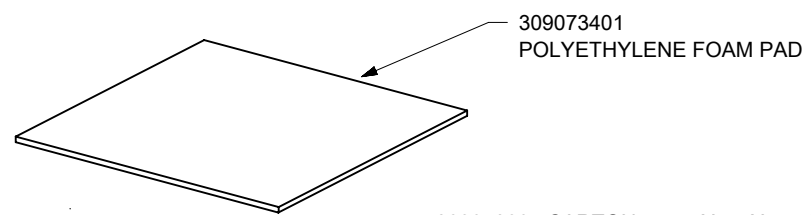
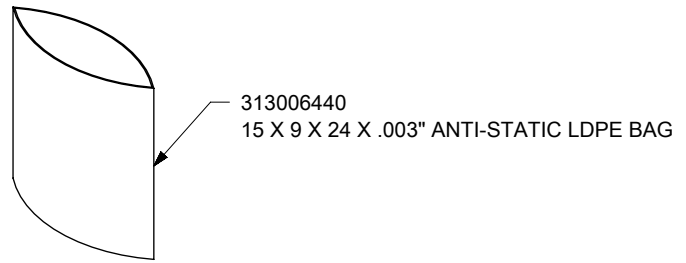
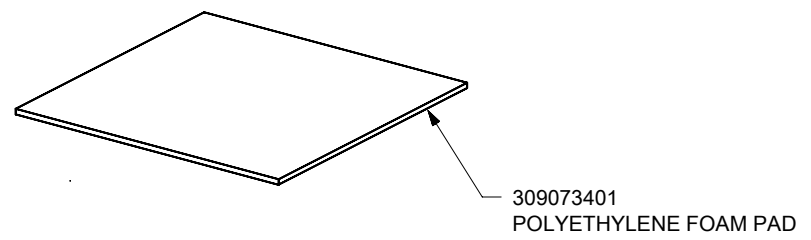
4

3

2

1

CKTS	PART NUMBER	PARTS PER BAG	BAGS PER CARTON	SPQ
2	1727621002	1400	1	1400
P/N	Description			Qty
309073001	CARTON 11.75 X 11 X 4.5 O.D			1
313006440	15 X 9 X 24 X .003" ANTI-STATIC LDPE BAG			1
309073401	POLYETHYLENE FOAM PAD			2



NOTES - PACKAGING PROCEDURE

1. FOLD AND TAPE BOTTOM FLAPS OF CARTON WITH 2" WIDE TAPE PER ES-40000-7013. TAPE SHOULD EXTEND UP SIDES OF CARTON AT LEAST 76 MM (3 INCHES).
2. POLYBAGS TO BE FILLED WITH QUANTITY OF PARTS AS SPECIFIED PER CHART.
5. CLOSE TOP FLAPS OF CARTON AND TAPE. TAPE SHOULD EXTEND DOWN SIDES OF CARTON AT LEAST 76 MM (3 INCHES).
3. ADD LABELS TO CARTONS AS REQUIRED PER ES-40000-7012.
4. FOR LARGER SHIPMENTS CARTONS MAY BE LAYERED ON A 1200 X 800 PALLET WITH (6) CARTONS PER LAYER AND A MAXIMUM OF (4) LAYERS.
5. CARTONS ON PALLET TO BE UNITIZED WITH BANDING AND STRETCH FILM PER PK-31301-625.
6. PUT ONE FOAM PAD ON THE BOTTOM OF THE CARTON, ANOTHER ONE ON THE TOP

FUNCTIONAL SYMBOLS	THIS DRAWING CONTAINS INFORMATION THAT IS PROPRIETARY TO MOLEX ELECTRONIC TECHNOLOGIES, LLC AND SHOULD NOT BE USED WITHOUT WRITTEN PERMISSION						
	DIMENSION UNITS	SCALE	CURRENT REV DESC:				
$\frac{F}{A} = 0$	mm	1:1	EC NO: 785187 DRWN: JERRYW8 2024/05/02 CHK'D: XQZHANG 2024/05/07 APPR: XQZHANG 2024/05/07 INITIAL REVISION: DRWN: ALU002 2019/12/04 APPR: YXZHENG 2020/12/22				
$\frac{F}{E} = 0$	GENERAL TOLERANCES (UNLESS SPECIFIED)					molex PK DRAWING OF MINI-FIT SIGMA D/R FREE HANG PLUG HOUSING	
$\frac{F}{P} = 0$	ANGULAR TOL ± °					PACKAGING DESIGN DRAWING	
DIVISIONAL SYMBOLS	4 PLACES	±				DOCUMENT NUMBER: 1727620001-PK DOC TYPE: PDD DOC PART: 000 REVISION: A1	
	3 PLACES	±				MATERIAL NUMBER: SEE TABLE CUSTOMER: GENERAL MARKET SHEET NUMBER: 1 OF 2	
	2 PLACES	±					
	1 PLACE	±					
	0 PLACES	±					
DRAFT WHERE APPLICABLE MUST REMAIN WITHIN DIMENSIONS		THIRD ANGLE PROJECTION	DRAWING	SERIES			
			A4-SIZE	172762			

DOCUMENT STATUS	P1	RELEASE DATE	2024/05/07	04:24:22
-----------------	----	--------------	------------	----------

6

5

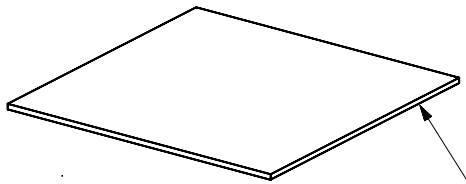
4

3

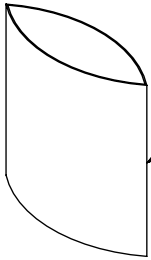
2

1

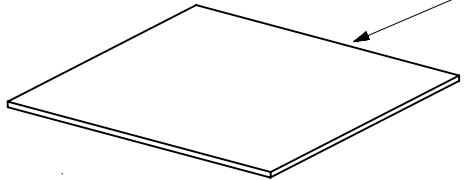
FORMAT: master-d-prod-A4
REVISION: 31
DATE: 2021/05/01



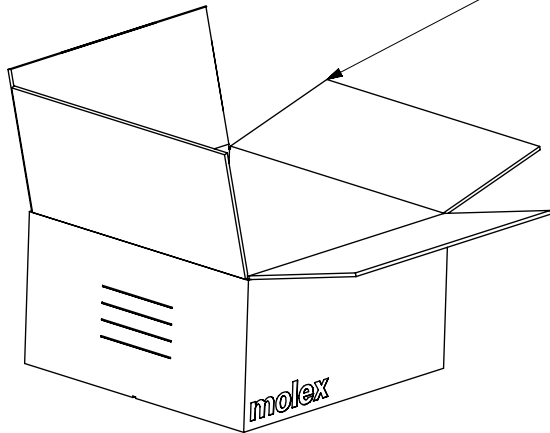
701800386
POLYETHYLENE FOAM PAD



313008790
30X28" BAG FOR UPLAND MOLDING



701800386
POLYETHYLENE FOAM PAD



967070014 CARTON

CKTS	PART NUMBER	PARTS PER BAG	BAGS PER CARTON	SPQ
4	1727621004	3500	1	3500
4	1727622004	3500	1	3500
6	1727621006	2400	1	2400
6	1727622006	2400	1	2400
8	1727621008	2000	1	2000
10	1727621010	1700	1	1700
12	1727621012	1300	1	1300
14	1727621014	1300	1	1300
16	1727621016	1100	1	1100
18	1727621018	1000	1	1000

P/N	Description	Qty
967070014	CARTON	1
313008790	30X28" BAG FOR UPLAND MOLDING	1
701800386	POLYETHYLENE FOAM PAD	2

NOTES - PACKAGING PROCEDURE

1. FOLD AND TAPE BOTTOM FLAPS OF CARTON WITH 2" WIDE TAPE PER ES-40000-7013. TAPE SHOULD EXTEND UP SIDES OF CARTON AT LEAST 76 MM (3 INCHES).
2. POLYBAGS TO BE FILLED WITH QUANTITY OF PARTS AS SPECIFIED PER CHART.
5. CLOSE TOP FLAPS OF CARTON AND TAPE. TAPE SHOULD EXTEND DOWN SIDES OF CARTON AT LEAST 76 MM (3 INCHES).
3. ADD LABELS TO CARTONS AS REQUIRED PER ES-40000-7012.
4. FOR LARGER SHIPMENTS CARTONS MAY BE LAYERED ON A 1200 X 800 PALLET WITH (6) CARTONS PER LAYER AND A MAXIMUM OF (4) LAYERS.
5. CARTONS ON PALLET TO BE UNITIZED WITH BANDING AND STRETCH FILM PER PK-31301-625.
6. PUT ONE FOAM PAD ON THE BOTTOM OF THE CARTON, ANOTHER ONE ON THE TOP

FUNCTIONAL SYMBOLS $\frac{F}{A} = 0$ $\frac{F}{E} = 0$ $\frac{F}{P} = 0$	THIS DRAWING CONTAINS INFORMATION THAT IS PROPRIETARY TO MOLEX ELECTRONIC TECHNOLOGIES, LLC AND SHOULD NOT BE USED WITHOUT WRITTEN PERMISSION		CURRENT REV DESC:		
	DIMENSION UNITS	SCALE	EC NO: 785187		
mm	1:1	DRWN: JERRYW8 2024/05/02			
GENERAL TOLERANCES (UNLESS SPECIFIED)		CHK'D: XQZHANG 2024/05/07			
ANGULAR TOL ± °		APPR: XQZHANG 2024/05/07		PACKAGING DESIGN DRAWING	
DIVISIONAL SYMBOLS		INITIAL REVISION:		DOCUMENT NUMBER	DOC TYPE
4 PLACES ±		DRWN: ALU002 2019/12/04		1727620001-PK	PDD
3 PLACES ±		APPR: YXZHENG 2020/12/22		000	A1
2 PLACES ±		DRAFT WHERE APPLICABLE MUST REMAIN WITHIN DIMENSIONS		MATERIAL NUMBER	CUSTOMER
1 PLACE ±		THIRD ANGLE PROJECTION	DRAWING	SEE TABLE	GENERAL MARKET
0 PLACES ±			SERIES	172762	SHEET NUMBER
			A4-SIZE	2 OF 2	

DOCUMENT STATUS	P1	RELEASE DATE	2024/05/07	04:24:22
-----------------	----	--------------	------------	----------