

6

5

4

3

2

1

D

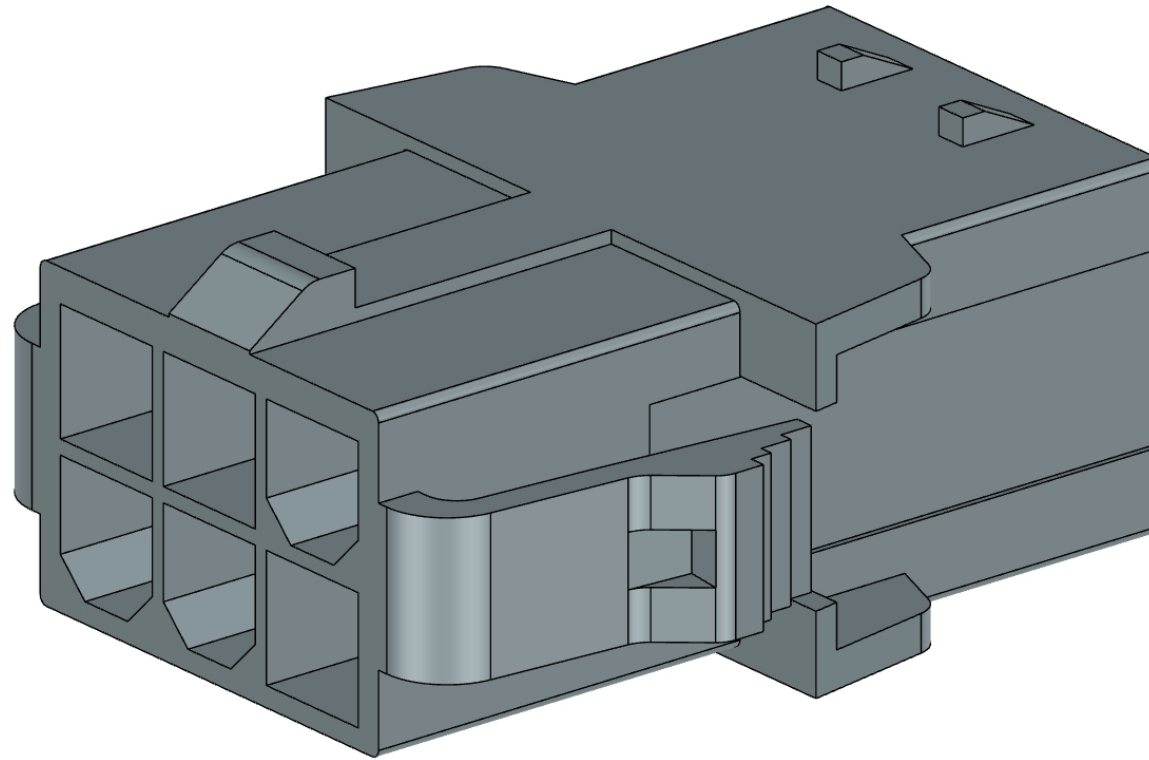
D

C

C

B

B



A

A

|                  |              |          |  |            |             |              |
|------------------|--------------|----------|--|------------|-------------|--------------|
| MATERIAL NUMBER: |              | CIRCUIT: |  | MATERIALS: | DRAWING NO: | <b>molex</b> |
| DESCRIPTION:     | INFORMATION: |          |  |            |             |              |
|                  |              |          |  |            | REV:        |              |

THIS MODEL CONTAINS INFORMATION THAT IS PROPRIETARY TO MOLEX ELECTRONIC TECHNOLOGIES, LLC AND SHOULD NOT BE USED WITHOUT WRITTEN PERMISSION

6

5

4

3

2

1