

6

5

4

3

2

1

D

D

C

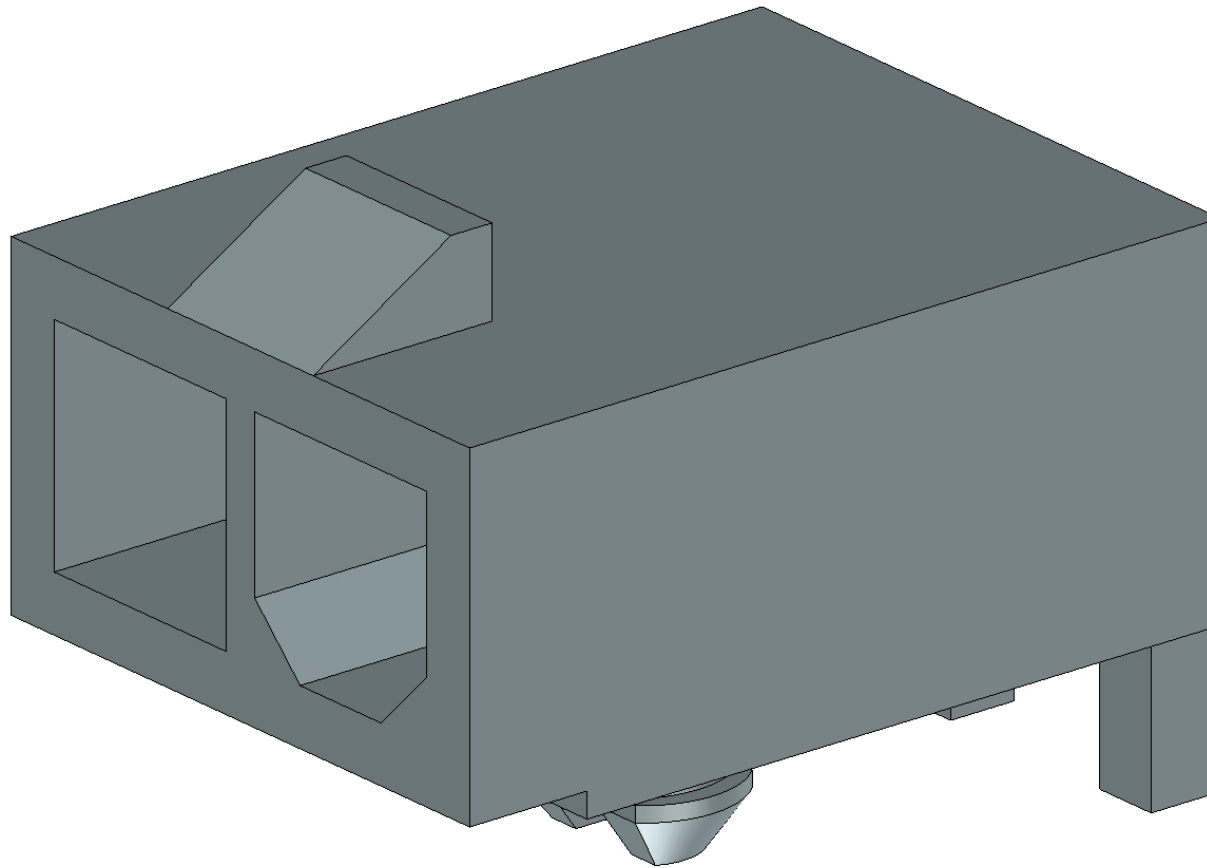
C

B

B

A

A



MATERIAL NUMBER:

CIRCUIT:

MATERIALS:

DRAWING NO:

DESCRIPTION:

INFORMATION:

molex

REV:

THIS MODEL CONTAINS INFORMATION THAT IS PROPRIETARY TO MOLEX ELECTRONIC TECHNOLOGIES, LLC AND SHOULD NOT BE USED WITHOUT WRITTEN PERMISSION

Rev: B
DATE: 11/17/2021

6

5

4

3

2

1