

6

5

4

3

2

1

D

D

C

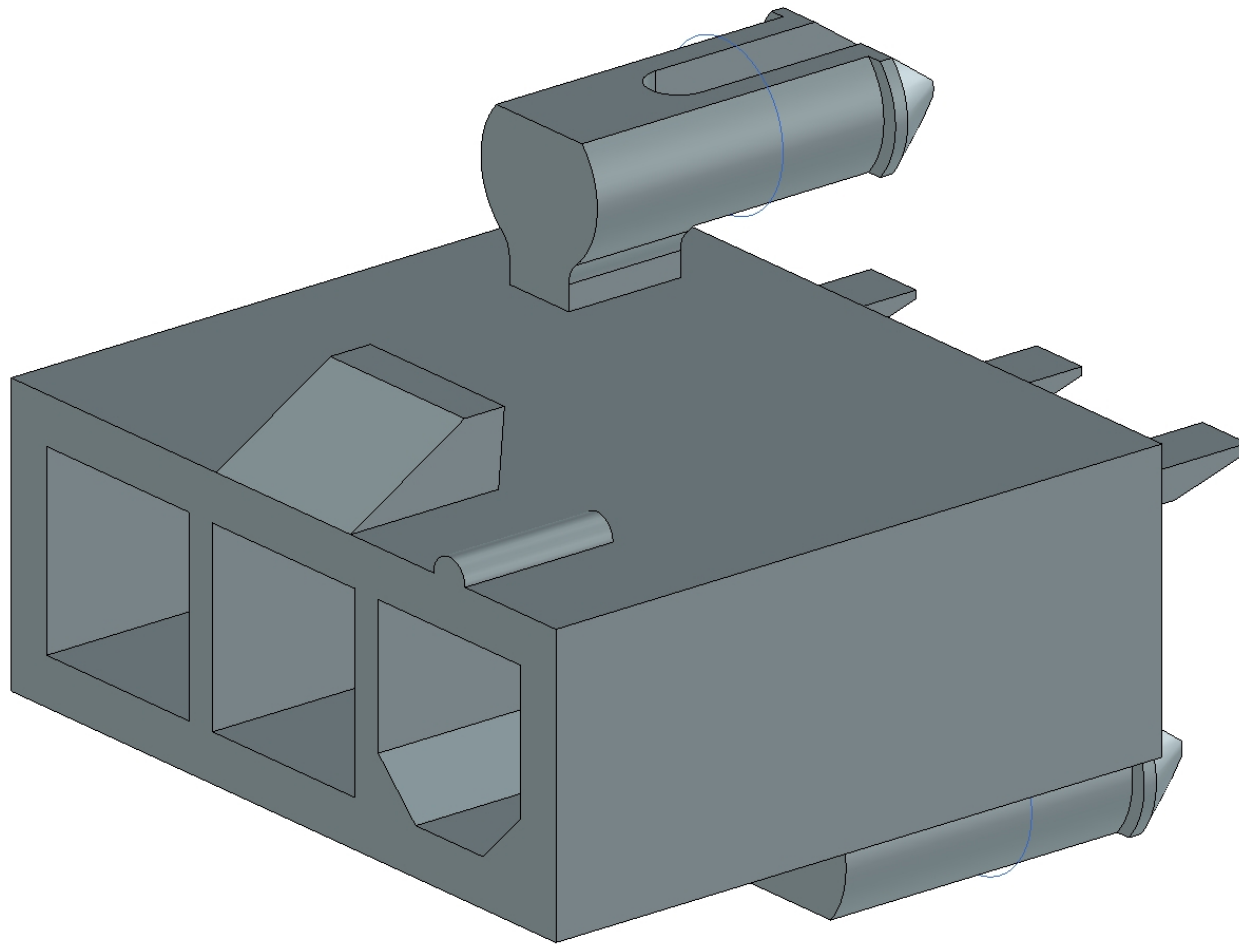
C

B

B

A

A



MATERIAL NUMBER:

DESCRIPTION:

CIRCUIT:

INFORMATION:

MATERIALS:

DRAWING NO:

REV:

**molex**

THIS MODEL CONTAINS INFORMATION THAT IS PROPRIETARY TO MOLEX ELECTRONIC TECHNOLOGIES, LLC AND SHOULD NOT BE USED WITHOUT WRITTEN PERMISSION

Rev: B  
DATE: 11/17/2021

6

5

4

3

2

1