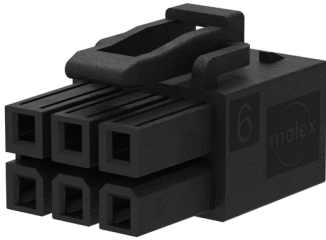


# Mini-Fit Max Connector >

Transcending mid-power connector products, the Mini-Fit Max wire-to-board connector provides 20.5A of current in a compact package and features a robust tangless terminal design with a TPA capable receptacle

## FEATURES AND ADVANTAGES



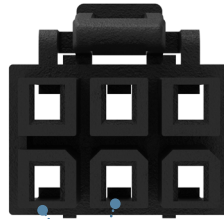
### 94/V-O Glow-wire combination resin

Reduces the cost of materials and labor, and allows customers to meet the European standard for electrical requirements



### Four Independent points of contact

Offer redundant, secondary current paths for long-term performance and reliability

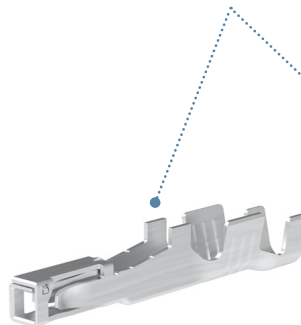


### Keying and polarization

Helps prevent mis-mating; different from the standard Mini-Fit connector

### TPA stop

Helps ensure that terminals are fully seated in their housing to reduce terminal backout



### Single-Row Options

Available in circuit sizes 2 to 6

### Optional TPA with TPA stop

Helps ensure that terminals are fully seated in housing to reduce terminal backout



### Slim profile design

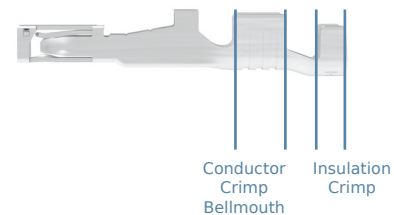
Saves PCB space

### End-to-End Stackable

Delivers more power per linear inch and square millimeter than other mid-range power connectors

### Tangless terminal

Provides safety for the terminals during packing and assembly insertion



# Mini-Fit Max Connector >

## APPLICATIONS

### Telecommunications/Networking

Switches  
Servers  
Power supplies and distribution  
Network towers

### Industrial

Machinery  
Commercial equipment  
Commercial lighting  
Industrial HVAC systems

### Home Appliance

Heaters and air conditioners  
Washers and dryers

### Commercial Vehicle

Power converters  
Unsealed electronic control modules  
Transportation trucks



Industrial Machinery



Transportation Truck



Network Tower

## SPECIFICATIONS

### Reference Information

Packaging: Reference Molex.com Spec. Part Number  
UL File No.: Reference the Product Specification  
CSA File No.: Reference the Product Specification  
Mates With:  
Series: 212514 Series: 212520  
Series: 212515 Series: 212514  
Series: 212516 Series: 212514  
Use With: See "Mates With" above  
Terminal Used: 212515  
Designed In: Millimeters  
RoHS: Yes  
Halogen Free: Yes  
Glow-Wire Capable: Yes

### Electrical

Voltage (max.): 600V  
Current (max.): 20.5A  
Contact Resistance: 2 mΩ  
Dielectric Withstanding Voltage: < 5 mA  
Insulation Resistance: 1,000 MΩ minimum

### Mechanical

Contact Retention to Housing: 40.0N  
Mating Force: 6.0N  
Unmating Force: 4.0N  
Durability (min.): 20 cycles

### Physical

Housing: UL 94V-0/Glow Wire  
Pitch: 4.20mm  
Contact: Tin (Sn)  
Plating:  
Contact Area — Tin (Sn)  
Solder Tail Area — Tin (Sn)  
Underplating — Nickel (Ni)  
PCB Thickness: Multiple options  
Operating Temperature: -40 to +105°C

[www.molex.com/link/minifitmax.html](http://www.molex.com/link/minifitmax.html)