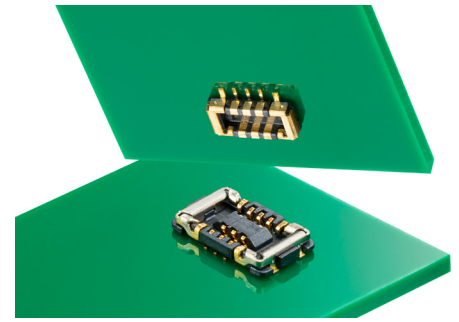


SlimStack Board-to-Board Connectors, 0.35mm Pitch, SSB RP Series

molex

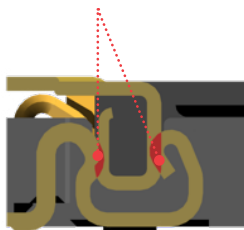
0.35mm pitch connectors deliver up to 3.0A power through protective metal covers and provide superior mating guidance and electrical contact assurance.

SSB RP Series delivers design flexibility while meeting tight-packaging needs with mated height variation, 0.60mm to 1.00mm, without having to redesign the PCB layout. As consumers continue to demand smaller devices, the need for microminiature designs grows.

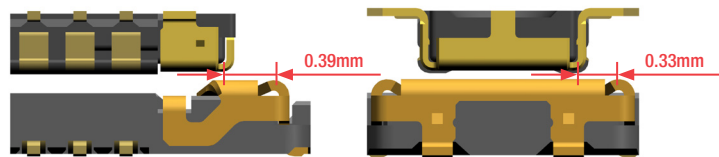


Features and Advantages

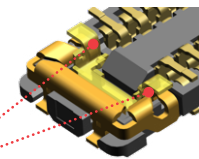
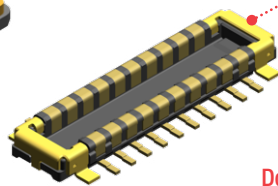
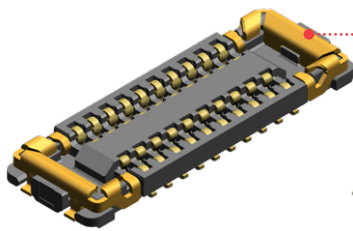
Dual-Contact Design
Provides secure reliability



Wide Alignment Area
Provides easy and secure mating



Metal Power Armor Nail Feature
Provides housing protection with up to 3.0A current



Double Contact Armor Nail
Provides reliable contact interface with flexible arm springs and two-point contact

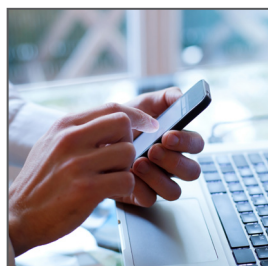
Customer can select stack height without having to redesign the PCB layout.

Lineup Combination		
Mated Height (mm)	Receptacle	Plug
0.60	505066	505070
0.70	505270	505274
0.80		
0.90	505413	505417
1.00		

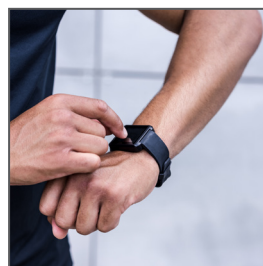
Applications

Mobile Devices

- Smartphones
- Tablet PCs
- Wearable Devices
- Portable Audio
- Portable Navigation Equipment



Smartphone



Wearable Watch



Patient Monitoring

Medical Devices

- Patient Monitoring
- Therapeutic and Surgical

SlimStack Board-to-Board Connectors, 0.35mm Pitch, SSB RP Series



Specifications

REFERENCE INFORMATION

Packaging: Embossed Tape on Reel
 Designed In: Millimeters
 RoHS: Yes
 Halogen Free: Low-Halogen

ELECTRICAL

Voltage (max.): 50V
 Current (max.):
 Signal Contact: 0.3A per circuit
 Nail Contact: 3.0A per circuit
 Contact Resistance (max.):
 Signal Contact: 80 milliohms
 Nail Contact: 30 milliohms
 Dielectric Withstanding Voltage: 250V AC
 Insulation Resistance (min.): 100 Megohms

MECHANICAL

Durability (max.): 30 cycles

PHYSICAL

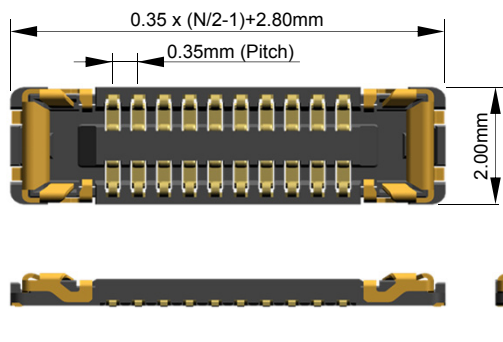
Housing: LCP, UL94V-0, Black
 Contact: Copper Alloy
 Plating:
 Contact Area – Gold
 Solder Tail Area – Gold
 Underplating – Nickel
 Operating Temperature: -40 to +85°C

Dimensions

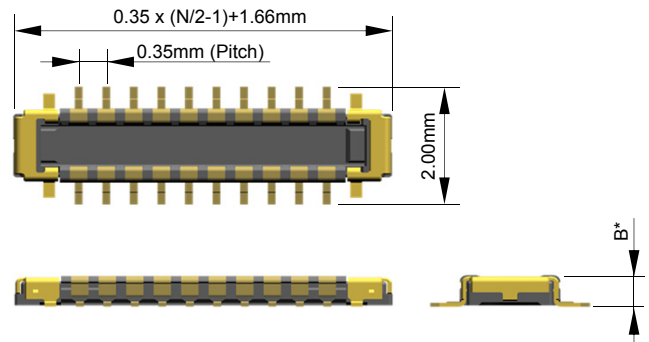
* Refer to drawing for detail dimension

N: Circuit Size

Receptacle



Plug



Ordering Information

Order No.		Mated Height (mm)	Mated Width (mm)	Circuits
Receptacle	Plug			
505066-**22	505070-**22	0.60	2.00	6, 8, 10, 12, 14, 16, 20, 22, 24, 30, 34, 40, 42, 48, 50, 54
505270-**12		0.70		6, 10, 16, 20, 22, 24, 30, 34, 40, 54
	0.80	6, 10, 16, 20, 24, 30, 34, 40, 54		
505413-**10	505274-**12	0.90		6, 30, 34, 40
	505417-**10	1.00		6, 30, 34, 40, 60

** : circuit size

www.molex.com/link/slimstack.html

Molex is a registered trademark of Molex, LLC in the United States of America and may be registered in other countries; all other trademarks listed herein belong to their respective owners.